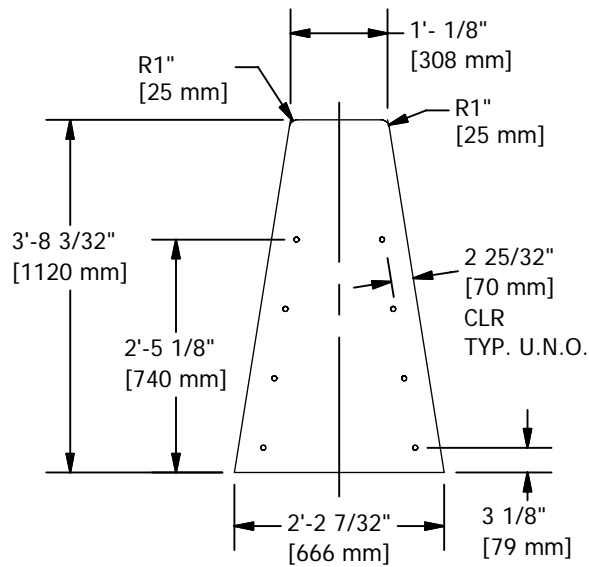


**ISO VIEW**

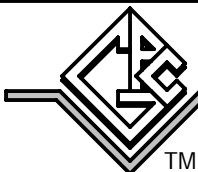


**END VIEW**

**WEIGHT: 12,970 lbs\***  
**[5,883 kg]**

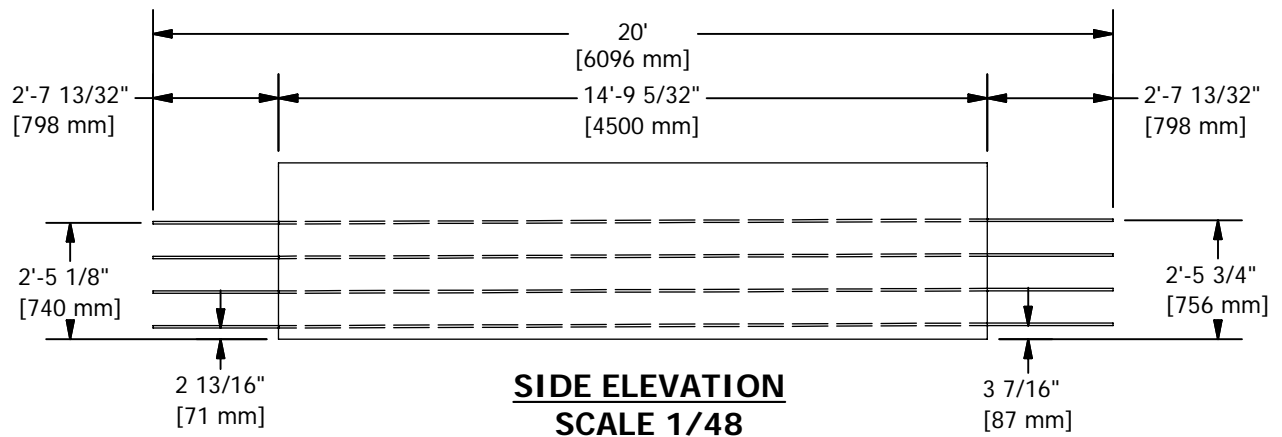
\*Approximate weight to be verified on scale prior to shipping.

© 2011 Granite Precasting & Concrete, Inc.

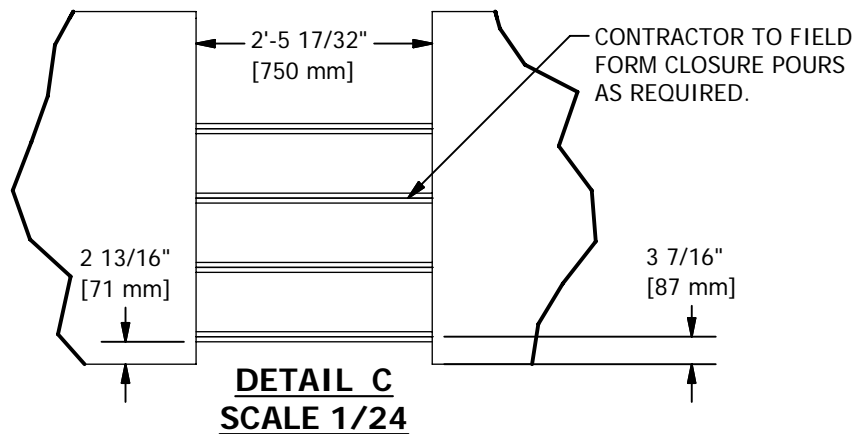
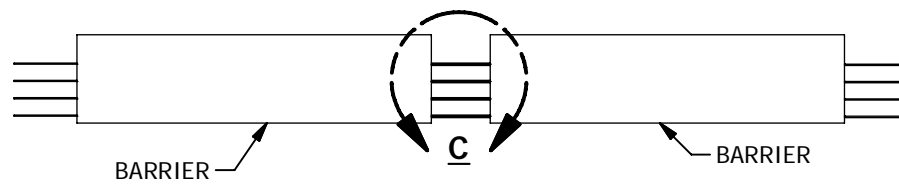


**GRANITE™ PRECASTING & CONCRETE INC.**

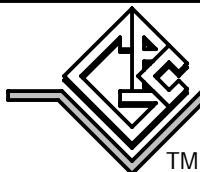
4116 BAKERVIEW SPUR • BELLINGHAM, WA. 98226 • (360) 671-2251 • 1-800-808-2251 • FAX: (360) 671-0780



**All Barrier Ends  
 to be sand blasted  
 to a variation of  
 6mm or greater**



© 2011 Granite Precasting & Concrete, Inc.



**GRANITE**™ **PRECASTING & CONCRETE INC.**

4116 BAKERVIEW SPUR • BELLINGHAM, WA. 98226 • (360) 671-2251 • 1-800-808-2251 • FAX: (360) 671-0780