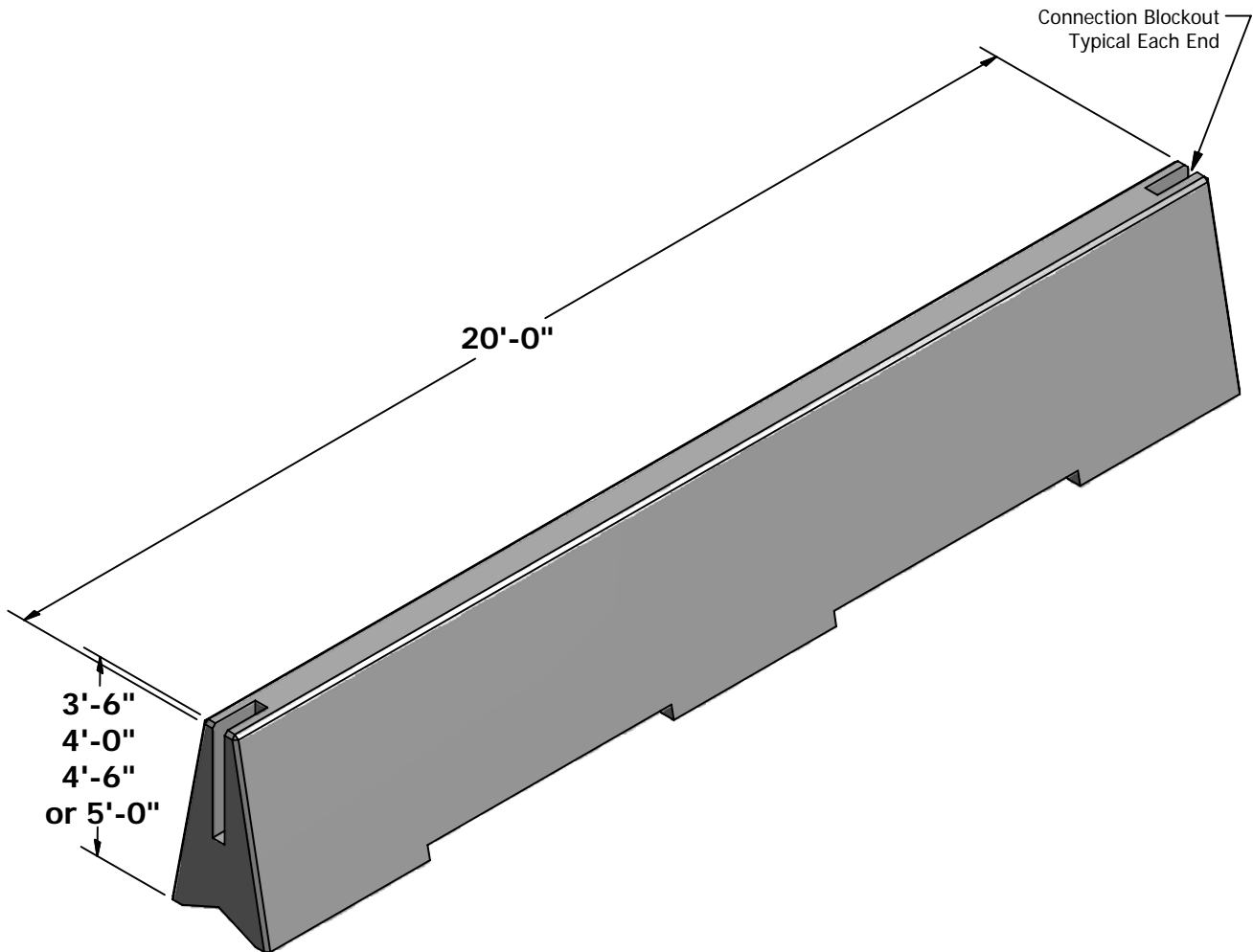


Type C-13 Barrier

Meets or Exceeds:
WSDOT Std. Plan C-13



20'-0" SECTION

13,600 lbs for 3'-6" Height
16,800 lbs for 4'-0" Height
20,300 lbs for 4'-6" Height
24,250 lbs for 5'-0" Height

© 2011 Granite Precasting & Concrete, Inc.

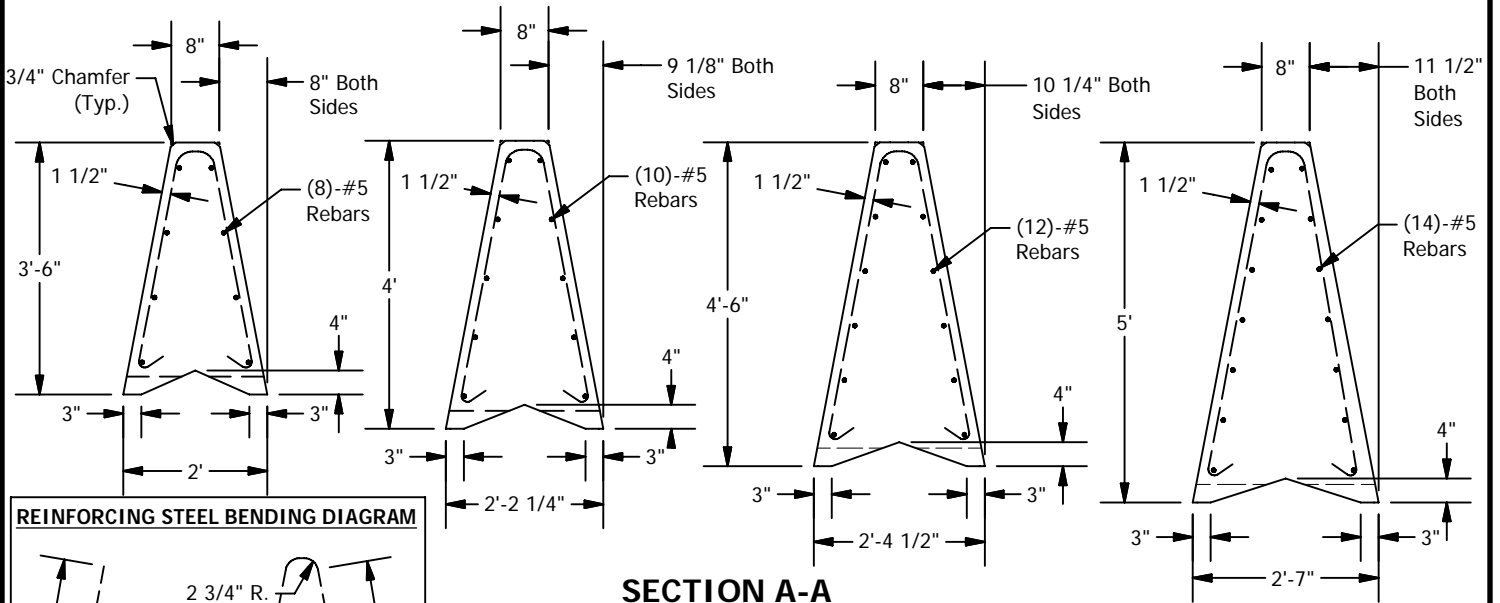
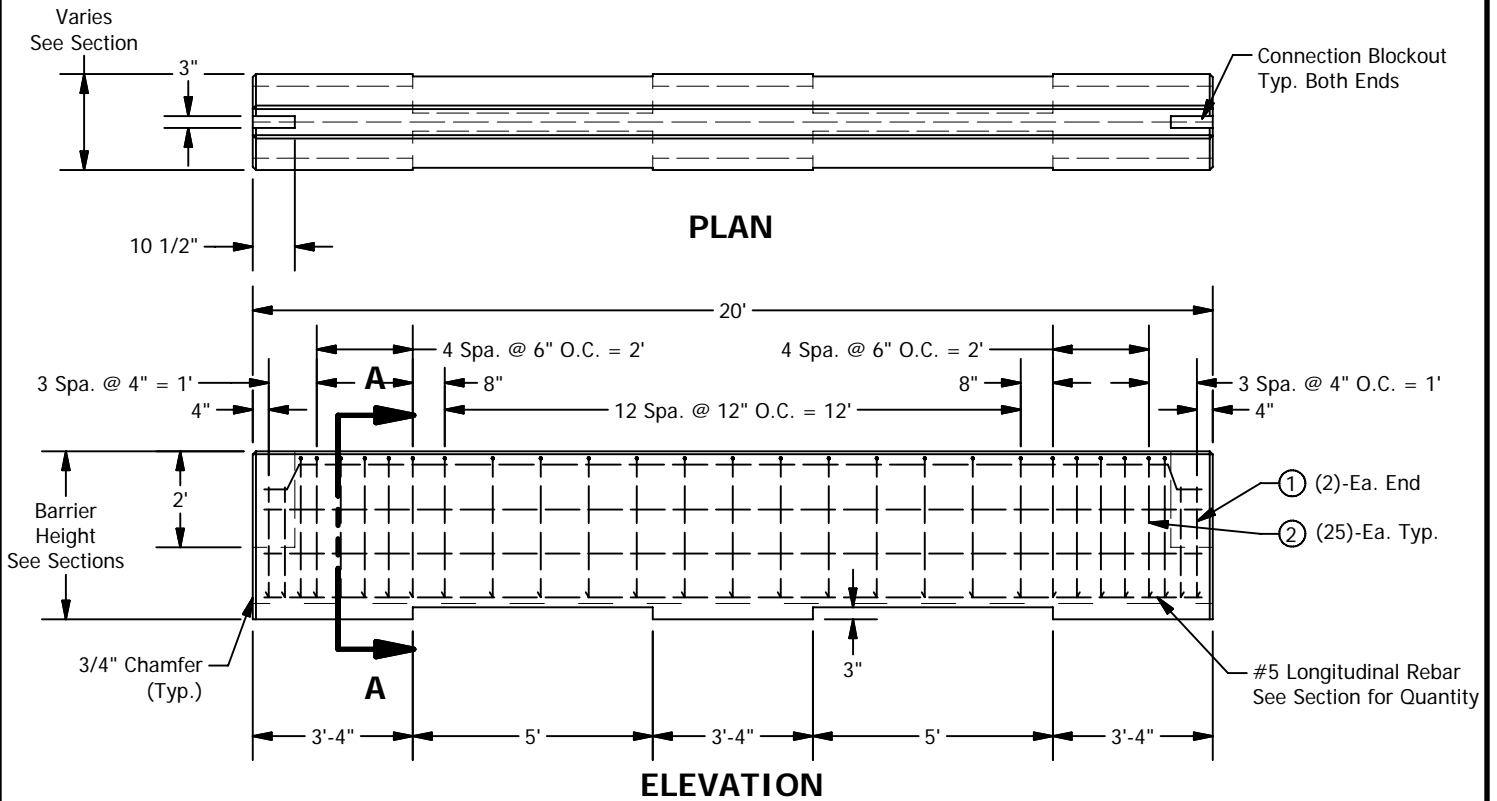


GRANITETM

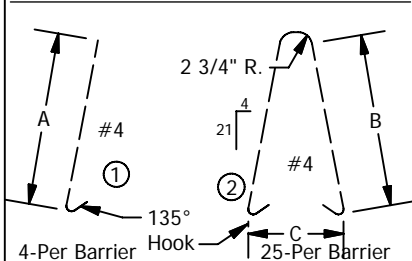
**PRECASTING &
CONCRETE INC.**

4116 BAKERVIEW SPUR • BELLINGHAM, WA. 98226 • (360) 671-2251 • 1-800-808-2251 • FAX: (360) 671-0780

Type C-13 Barrier



REINFORCING STEEL BENDING DIAGRAM



Barrier Height	Dim. "A"	Dim. "B"	Dim. "C"
3'-6"	2'-8"	2'-10"	1'-7"
4'-0"	3'-2"	3'-4"	1'-9"
4'-6"	3'-8"	3'-10"	1'-11"
5'-0"	4'-2"	4'-4"	2'-1"

CONCRETE:
F_c = 4,000 psi @ 28 Days

REINFORCING STEEL:
Rebar: ASTM A-615 Grade 60
Bends: See STD. SPEC. 9-07.1(2)
for Bending Diameters

© 2011 Granite Precasting & Concrete, Inc.



GRANITE™ PRECASTING & CONCRETE INC.

4116 BAKERVIEW SPUR • BELLINGHAM, WA. 98226 • (360) 671-2251 • 1-800-808-2251 • FAX: (360) 671-0780