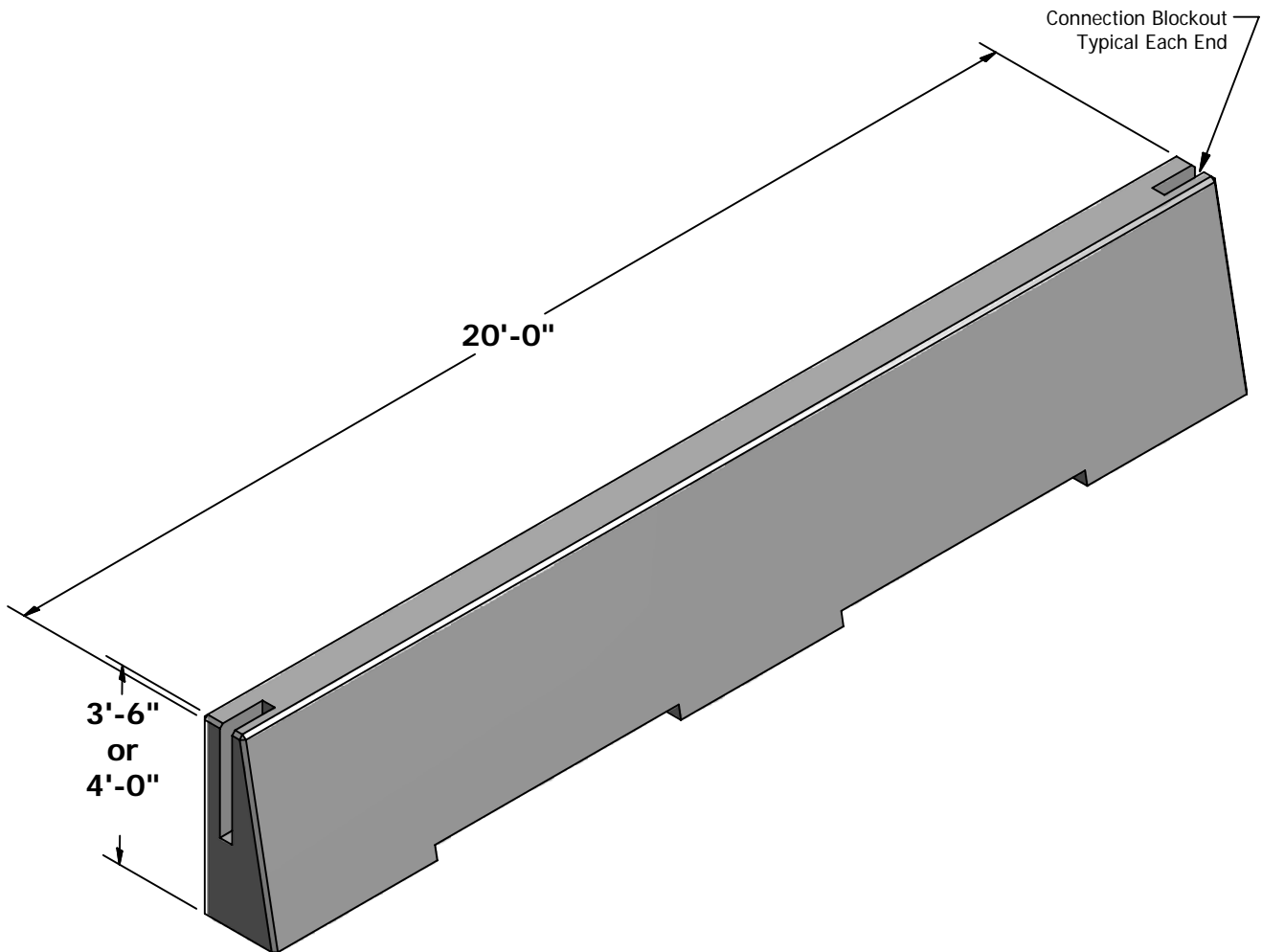


# Type C-13b Barrier

Meets or Exceeds:  
WSDOT Std. Plan C-13b



**20'-0" SECTION**  
12,000 lbs for 3'-6" Height  
14,300 lbs for 4'-0" Height

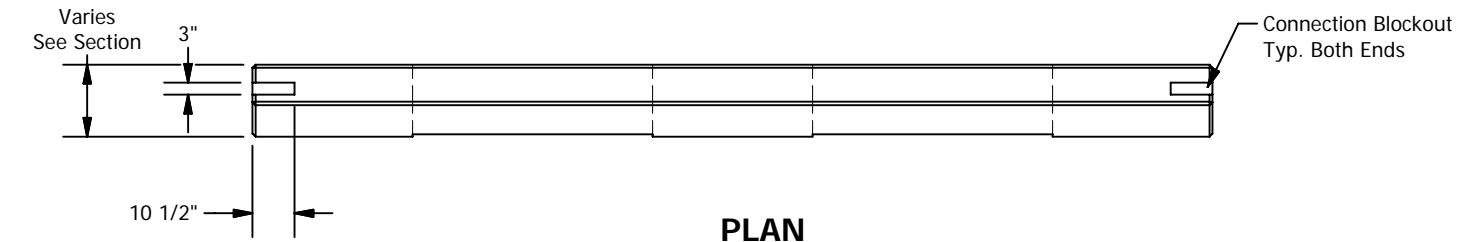
© 2011 Granite Precasting & Concrete, Inc.



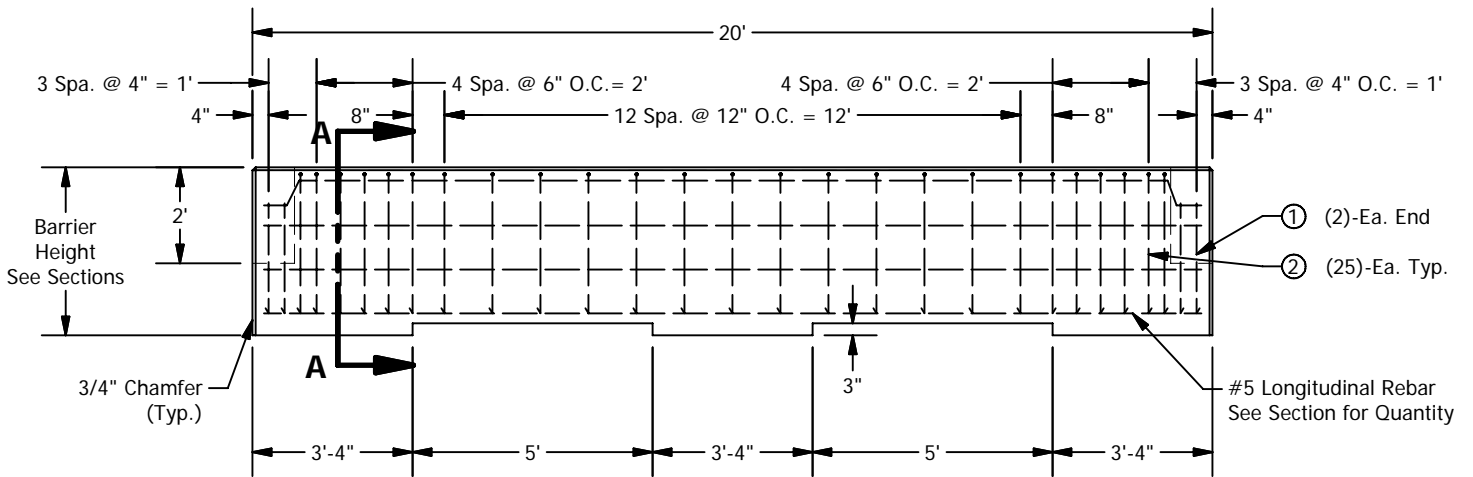
**GRANITE™ PRECASTING & CONCRETE INC.**

4116 BAKERVIEW SPUR • BELLINGHAM, WA. 98226 • (360) 671-2251 • 1-800-808-2251 • FAX: (360) 671-0780

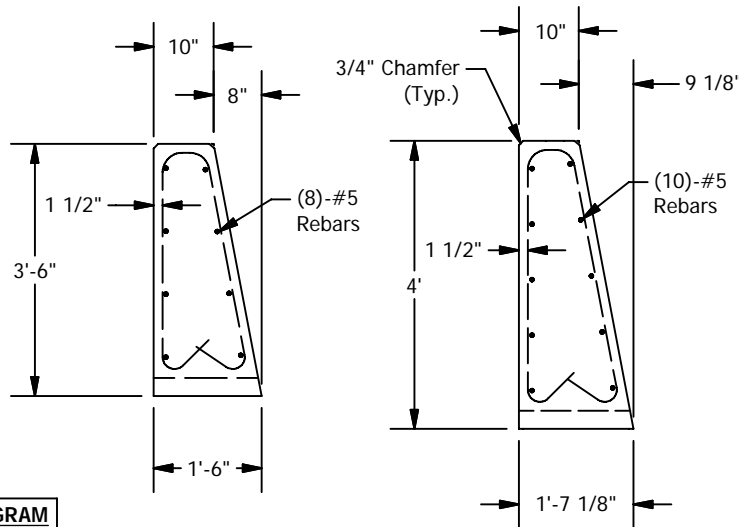
# Type C-13b Barrier



PLAN

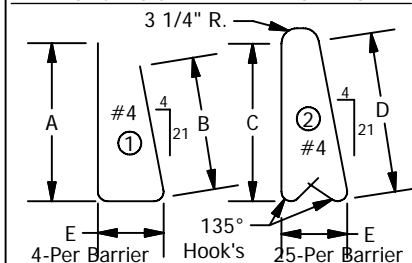


ELEVATION



SECTION A-A

**REINFORCING STEEL BENDING DIAGRAM**



Barrier Height	Dim. "A"	Dim. "B"	Dim. "C"	Dim. "D"	Dim. "E"
3'-6"	3'-0"	2'-8 1/2"	2'-8"	2'-9 1/2"	1'-2"
4'-0"	3'-6"	3'-2 1/2"	3'-2"	3'-3 1/2"	1'-3"

**CONCRETE:**  
F<sub>c</sub> = 4,000 psi @ 28 Days

**REINFORCING STEEL:**  
Rebar: ASTM A-615 Grade 60  
Bends: See STD. SPEC. 9-07.1(2) for Bending Diameters

© 2011 Granite Precasting & Concrete, Inc.



**GRANITE™ PRECASTING & CONCRETE INC.**

4116 BAKERVIEW SPUR • BELLINGHAM, WA. 98226 • (360) 671-2251 • 1-800-808-2251 • FAX: (360) 671-0780