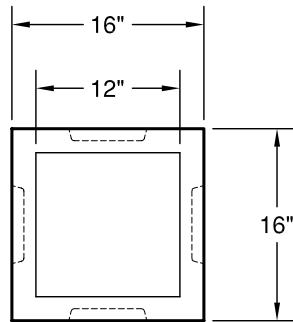
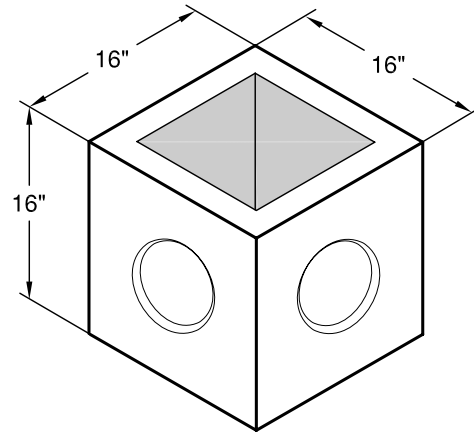


# Driveway Catch Basin

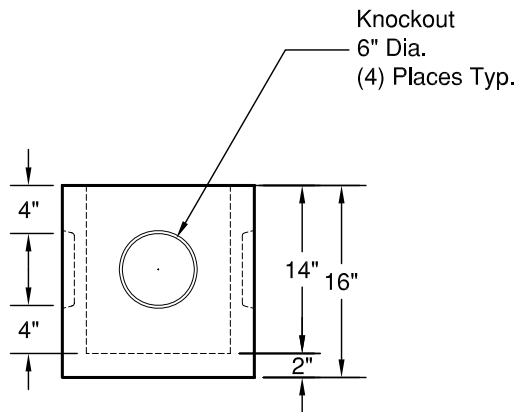
Constructed in Accordance with ASTM C-478



**PLAN**



**ISO VIEW**



**SIDE**

**WEIGHT:**

BASE: 200 lbs

**CONCRETE:**

Fc= 4,000 psi @ 28 Days

**PIPE PENETRATIONS:**

Standard Knockouts (4)



**GRANITE™ PRECASTING & CONCRETE INC.**

4116 BAKERVIEW SPUR • BELLINGHAM, WA 98226 • (360) 671-2251 • 1-800-808-2251 • FAX: (360) 671-0780