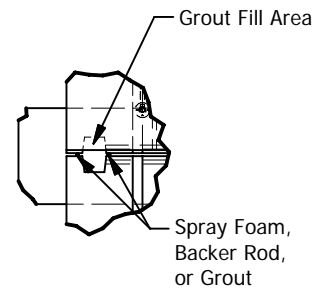
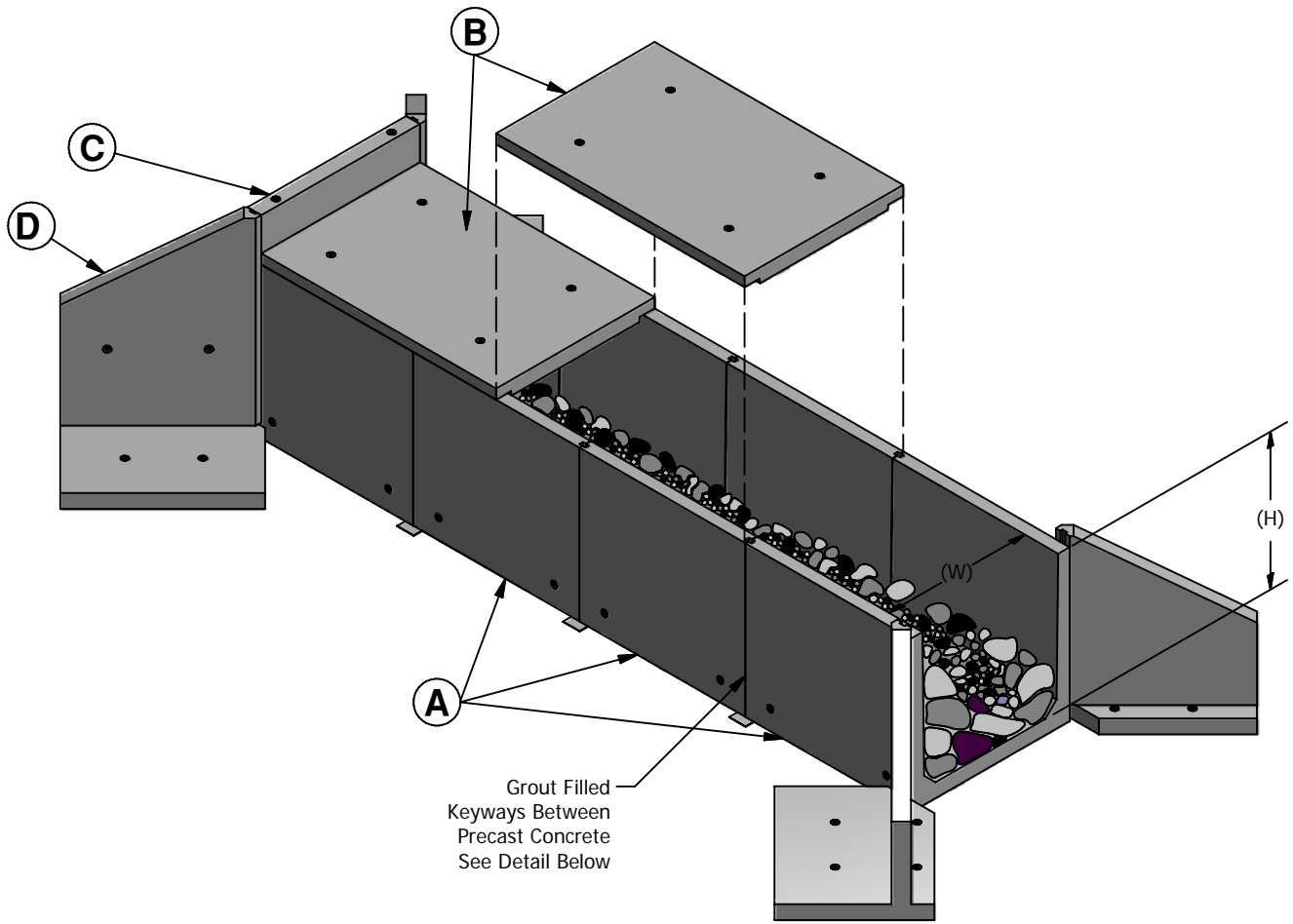


Inverted Short Span Bridges



**WALL TO WALL
GROUT KEYWAY**

- (A)** INVERTED SHORT SPAN BRIDGES
- (B)** REMOVABLE COVER FOR EASE OF STREAMHEAD PLACEMENT
- (C)** OPTIONAL HEADWALL
- (D)** OPTIONAL WINGWALL

(W) VARIABLE WIDTH - (I.D.) - 6' MIN. TO 35' MAX.
(H) VARIABLE HEIGHT - (I.D.) - 2' MIN. TO 10' MAX.

© 2011 Granite Precasting & Concrete, Inc.



GRANITE™

**PRECASTING &
CONCRETE INC.**

4116 BAKERVIEW SPUR • BELLINGHAM, WA. 98226 • (360) 671-2251 • 1-800-808-2251 • FAX: (360) 671-0780