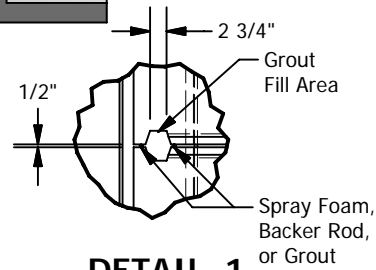
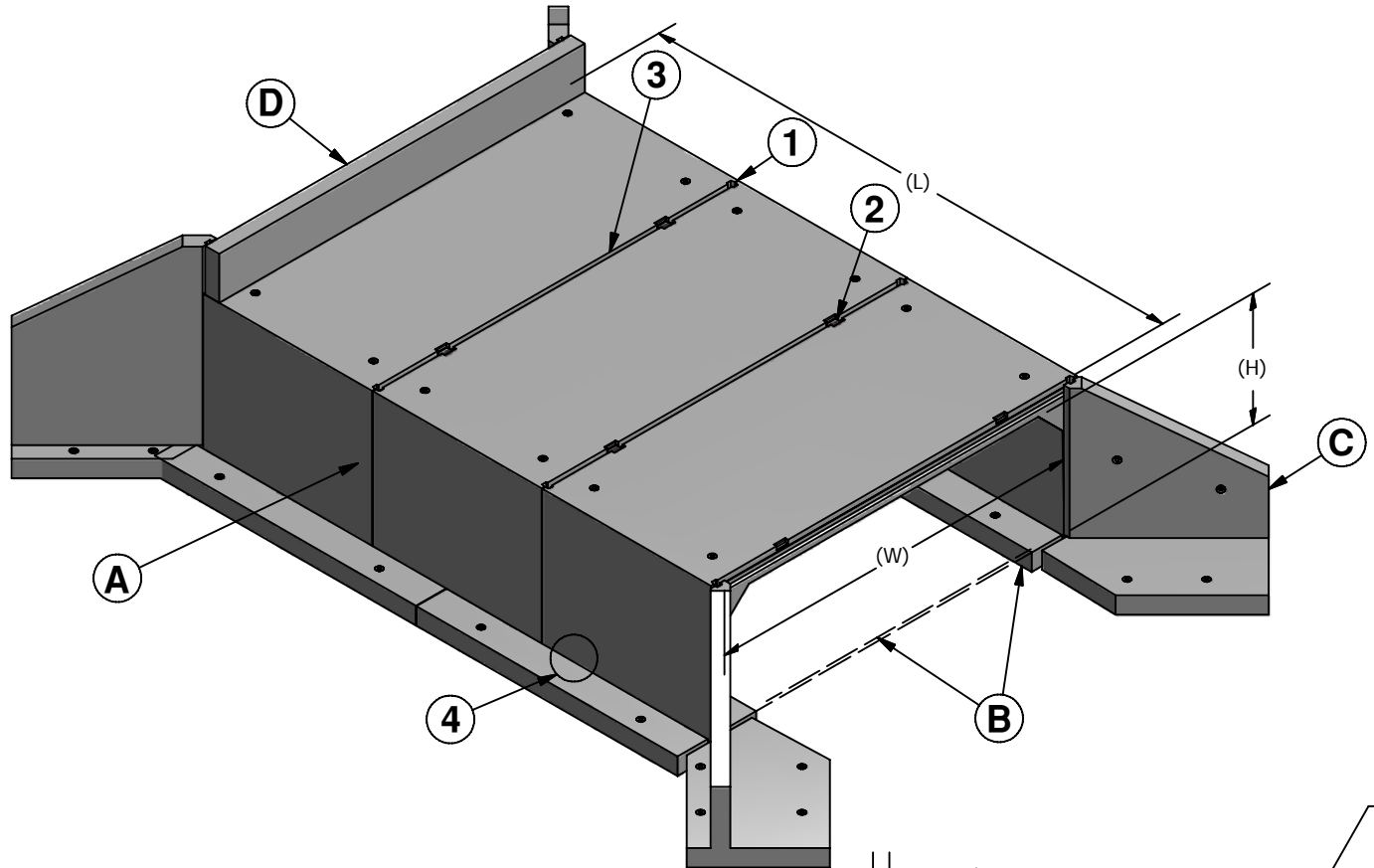
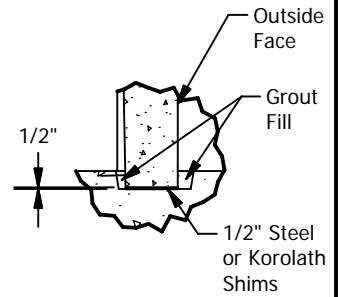


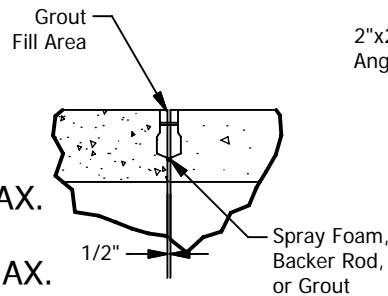
Short Span Bridges



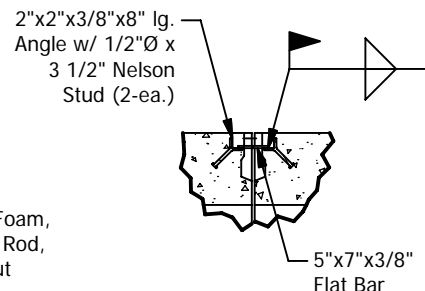
DETAIL 1
Wall to Wall



DETAIL 2
Wall to Base
Footing or Slab



DETAIL 3
Top to Top



DETAIL 4
Weld Plate

- (A)** SHORT SPAN BRIDGE
- (B)** OPTIONAL FOOTING OR FULL BASE SLAB
- (C)** OPTIONAL WINGWALL
- (D)** OPTIONAL HEADWALL
- (W)** VARIABLE WIDTH - (I.D.) - 6' MIN. TO 35' MAX.
- (L)** VARIABLE LENGTH
- (H)** VARIABLE HEIGHT - (I.D.) - 2' MIN. TO 10' MAX.

© 2011 Granite Precasting & Concrete, Inc.



GRANITE™

PRECASTING & CONCRETE INC.

4116 BAKERVIEW SPUR • BELLINGHAM, WA. 98226 • (360) 671-2251 • 1-800-808-2251 • FAX: (360) 671-0780