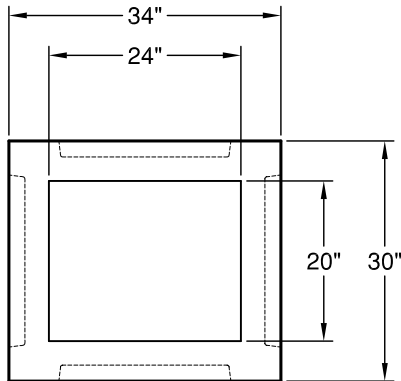
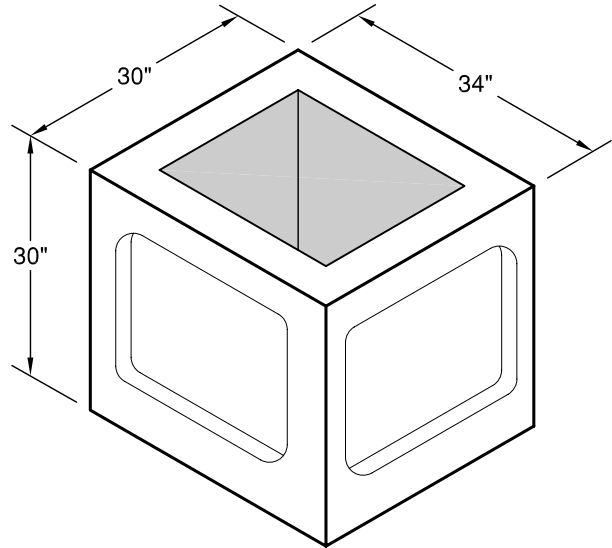


Thomas Special (CB 22)

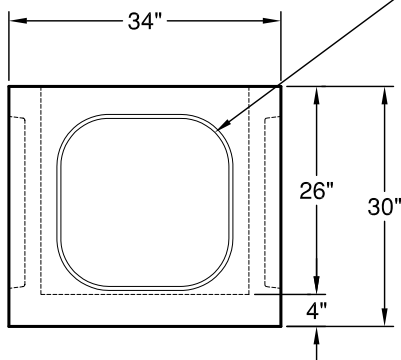
Constructed in Accordance with ASTM C-478



PLAN



ISO VIEW



SIDE

Knockout
21" x 21"
(4) Places Typ.

WEIGHTS:

BASE: 1,120 lbs

CONCRETE:

Fc= 4,000 psi @ 28 Days

REINFORCING STEEL:

Welded Wire Fabric: ASTM A 497

0.12 Sq in./lin ft min.

No Wire Fabric in Knockout

PIPE PENETRATIONS:

Standard Knockouts (4)



GRANITE™

**PRECASTING &
CONCRETE INC.**

4116 BAKERVIEW SPUR • BELLINGHAM, WA 98226 • (360) 671-2251 • 1-800-808-2251 • FAX: (360) 671-0780