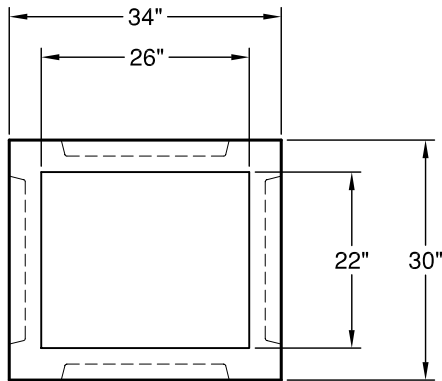
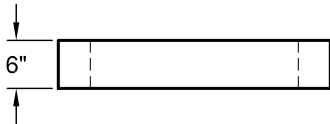


# Type 1 Catch Basin

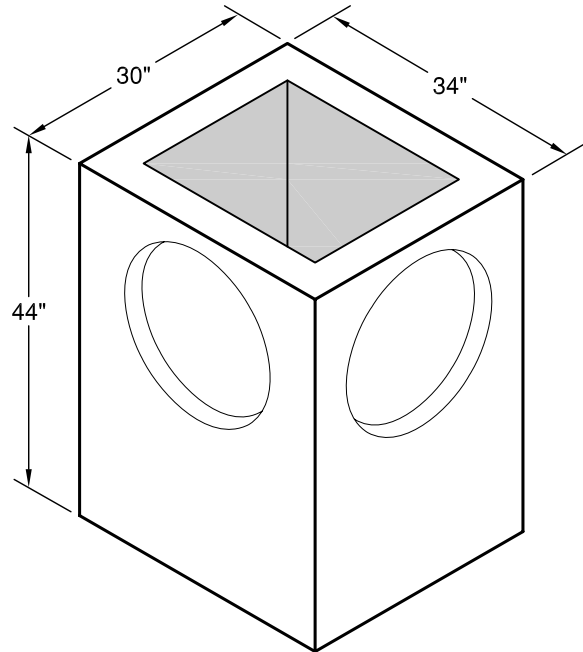
Meets or Exceeds WSDOT Standard Plan B-5.20-00  
Constructed in Accordance with ASTM C-478



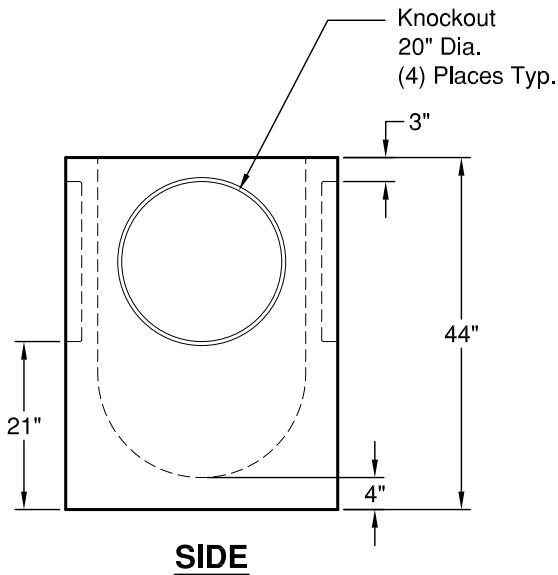
**PLAN**



**TYPE 1 CB RISER**



**ISO VIEW**



**SIDE**

**WEIGHTS:**

RISER:	1" -	50 lbs
	2" -	100 lbs
	4" -	180 lbs
	6" -	260 lbs
	12" -	560 lbs
	24" -	1,120 lbs
BASE:		1,800 lbs

**CONCRETE:**

Fc= 4,000 psi @ 28 Days

**REINFORCING STEEL:**

Welded Wire Fabric: ASTM A 497  
0.12 Sq in./lin ft min.  
No Wire Fabric in Knockout

**PIPE PENETRATIONS:**

Standard Knockouts (4)

© 2011 Granite Precasting & Concrete, Inc.



**GRANITE™**

**PRECASTING &  
CONCRETE INC.**

4116 BAKERVIEW SPUR • BELLINGHAM, WA 98226 • (360) 671-2251 • 1-800-808-2251 • FAX: (360) 671-0780