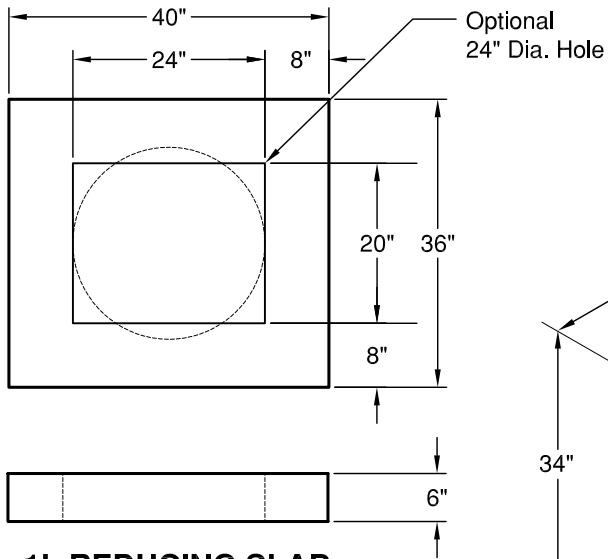
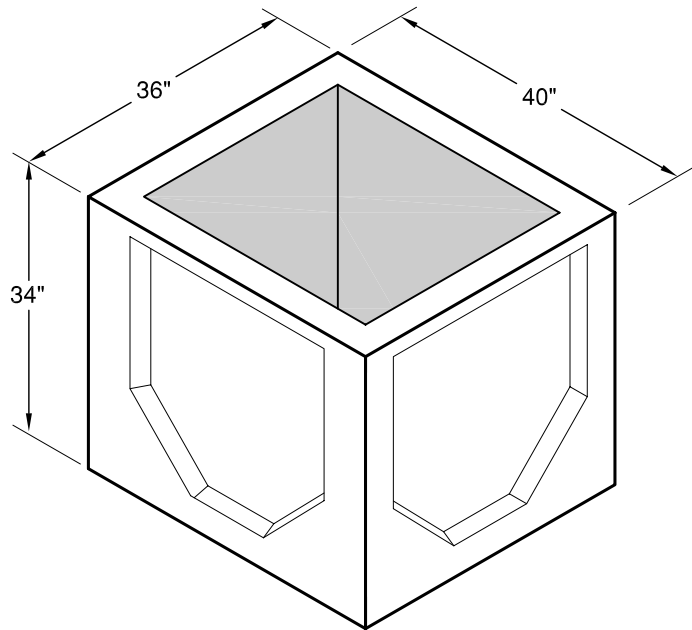


Type 1 L Special

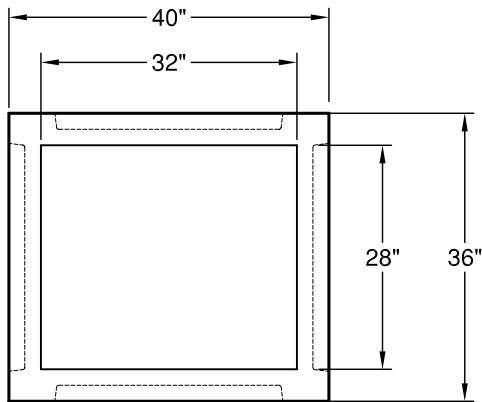
Constructed in Accordance with ASTM C-478



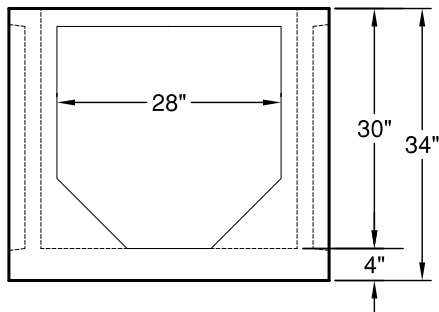
1L REDUCING SLAB



ISO VIEW



PLAN



SIDE

WEIGHTS:

BASE: 1,620 lbs
REDUCING SLAB: 500 lbs

CONCRETE:

Fc= 4,000 psi @ 28 Days

REINFORCING STEEL:

Welded Wire Fabric: ASTM A 497
0.12 Sq in./lin ft min.
No Wire Fabric in Knockout

PIPE PENETRATIONS:

Standard Knockouts (4)



GRANITE™ PRECASTING & CONCRETE INC.

4116 BAKERVIEW SPUR • BELLINGHAM, WA 98226 • (360) 671-2251 • 1-800-808-2251 • FAX: (360) 671-0780