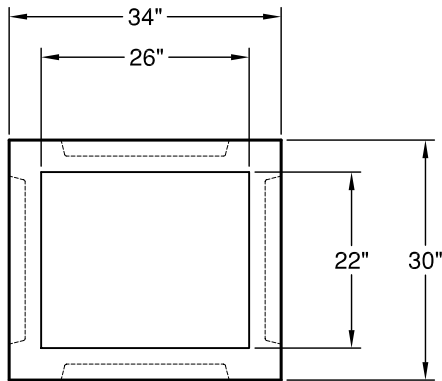
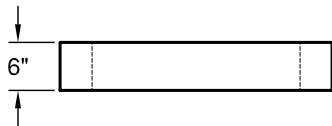


Type 1 P Catch Basin

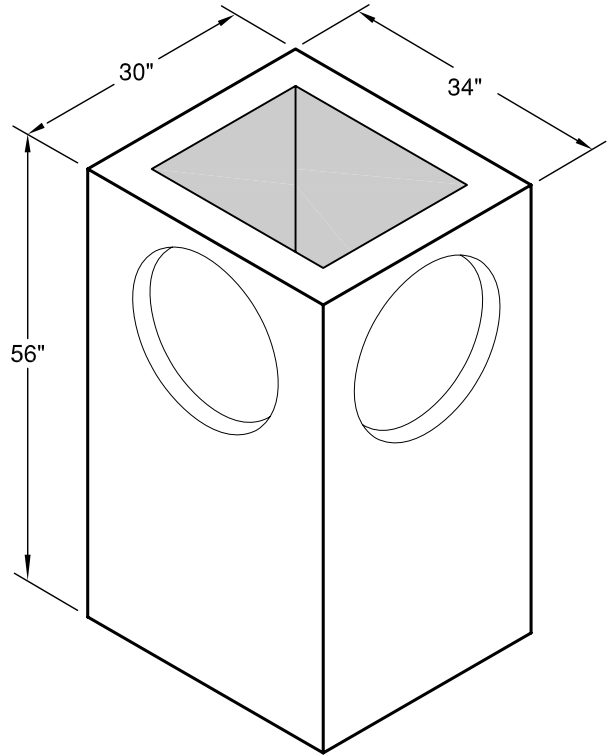
Meets or Exceeds WSDOT Standard Plan B-1B
Constructed in Accordance with ASTM C-478



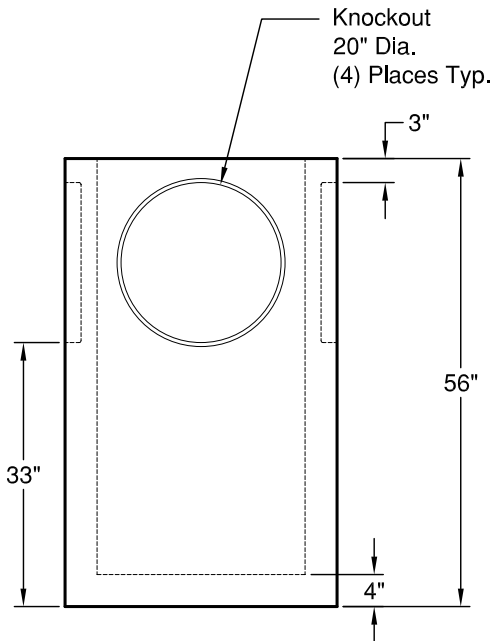
PLAN



TYPE 1 CB RISER



ISO VIEW



SIDE

WEIGHTS:

- RISER: 1" - 50 lbs
- 2" - 100 lbs
- 4" - 180 lbs
- 6" - 260 lbs
- 12" - 560 lbs
- 24" - 1,120 lbs

BASE: 2,440 lbs

CONCRETE:

Fc= 4,000 psi @ 28 Days

REINFORCING STEEL:

Welded Wire Fabric: ASTM A 497
0.12 Sq in./lin ft min.
No Wire Fabric in Knockout

PIPE PENETRATIONS:

Standard Knockouts (4)



GRANITE™

**PRECASTING &
CONCRETE INC.**

4116 BAKERVIEW SPUR • BELLINGHAM, WA 98226 • (360) 671-2251 • 1-800-808-2251 • FAX: (360) 671-0780