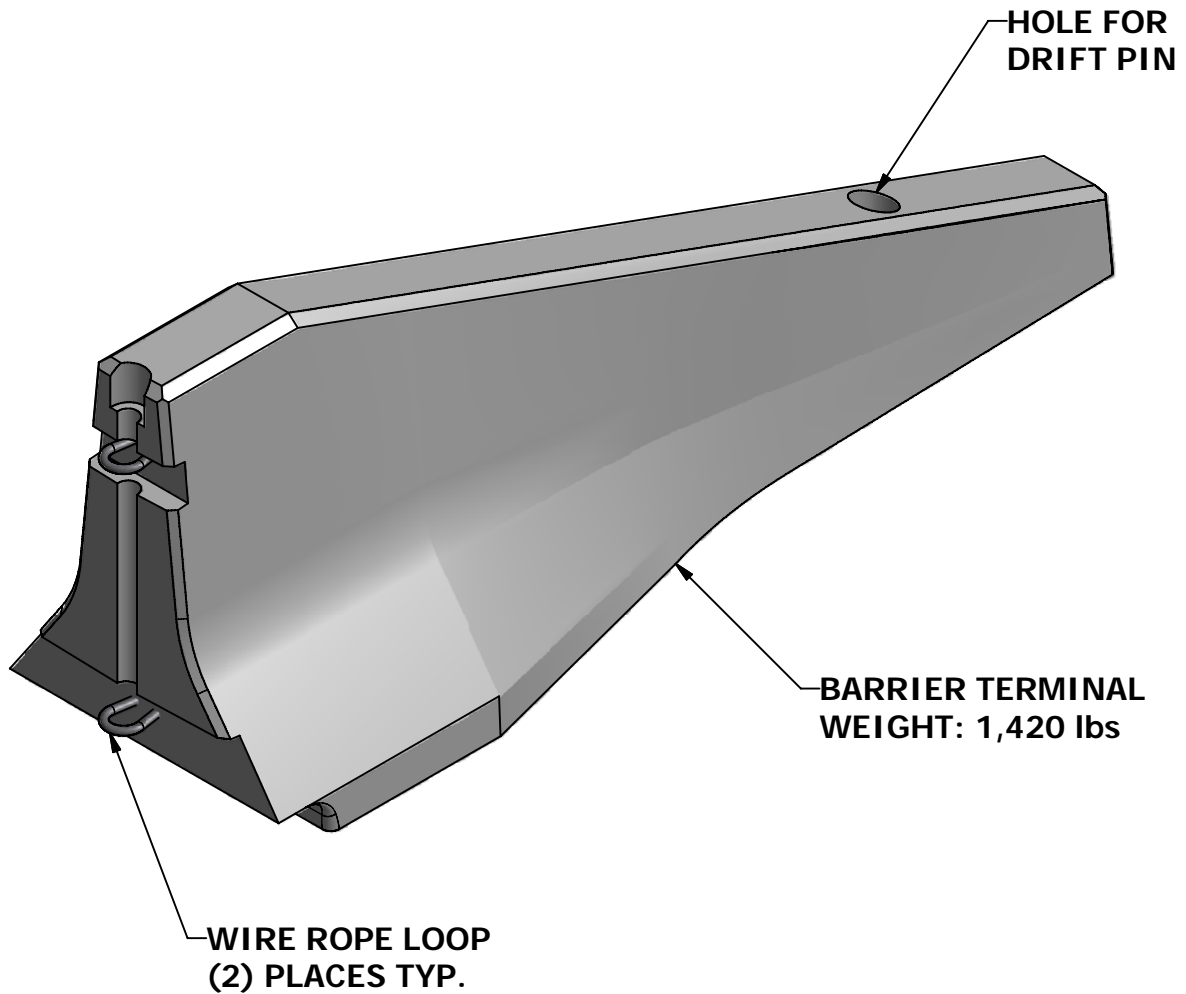


Type 2 Barrier Terminal A

Meets or Exceeds:
WSDOT Std. Plan C-8



© 2011 Granite Precasting & Concrete, Inc.

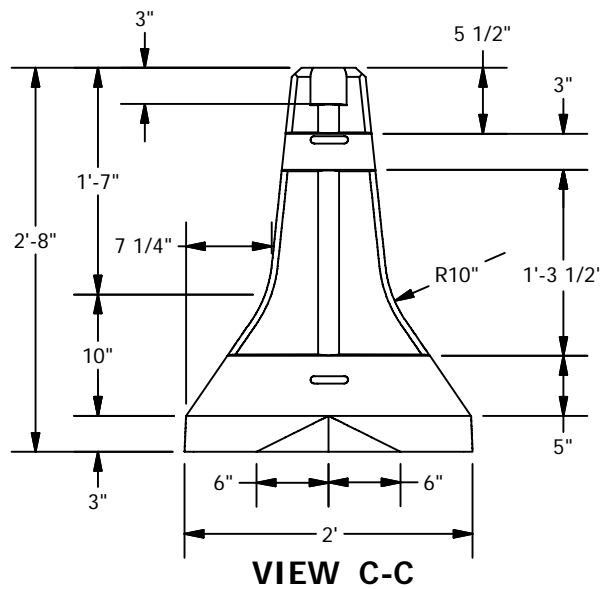
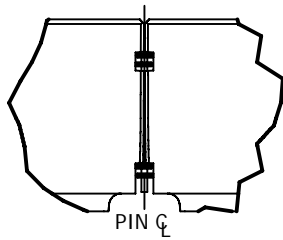
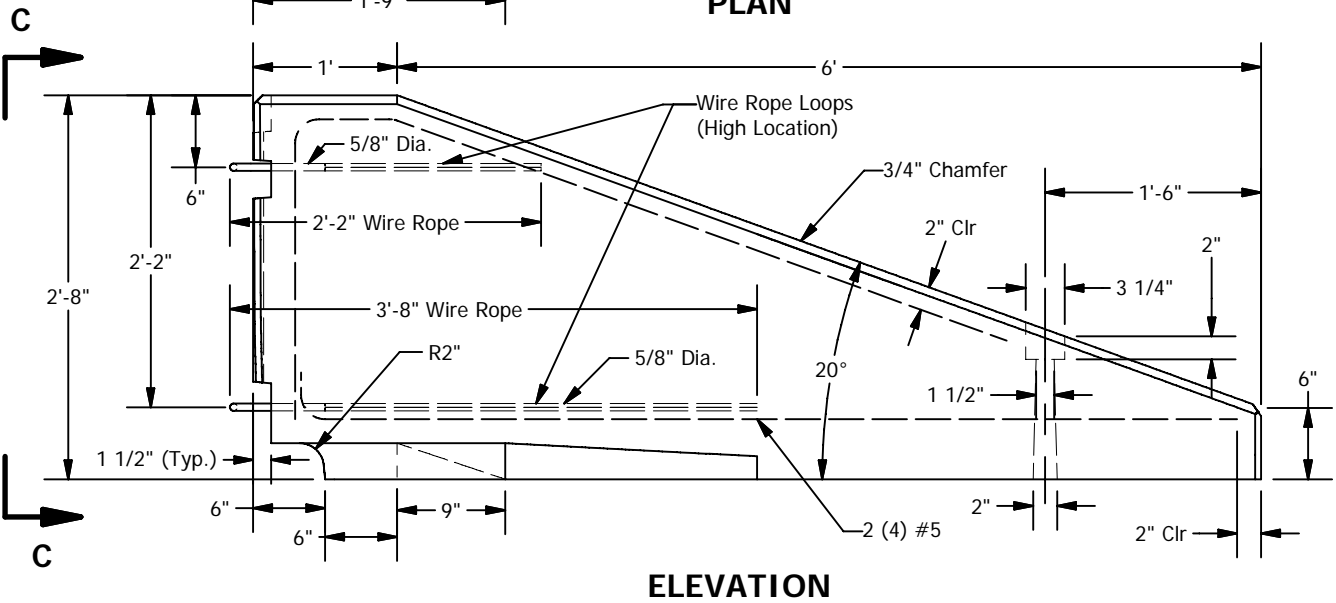
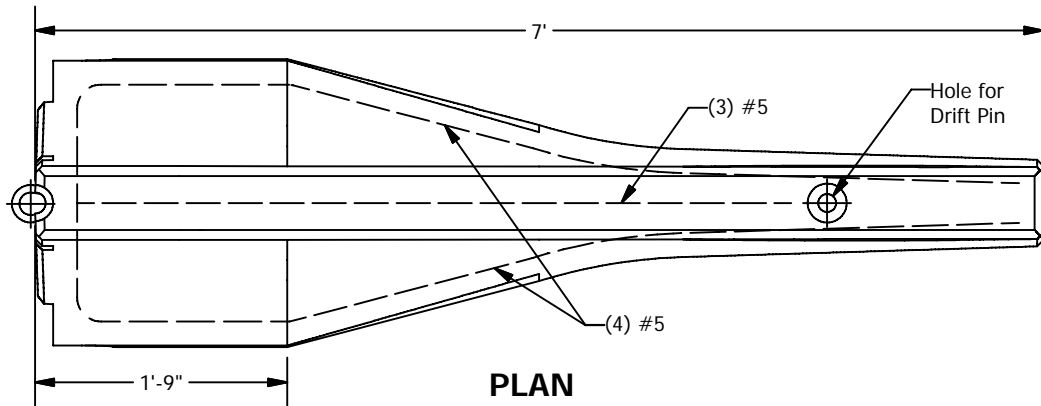


GRANITETM

**PRECASTING &
CONCRETE INC.**

4116 BAKERVIEW SPUR • BELLINGHAM, WA. 98226 • (360) 671-2251 • 1-800-808-2251 • FAX: (360) 671-0780

Type 2 Barrier Terminal A



CONCRETE:
F_c = 4,000 psi @ 28 Days

REINFORCING STEEL:
Rebar: ASTM A-615 Grade 60

© 2011 Granite Precasting & Concrete, Inc.

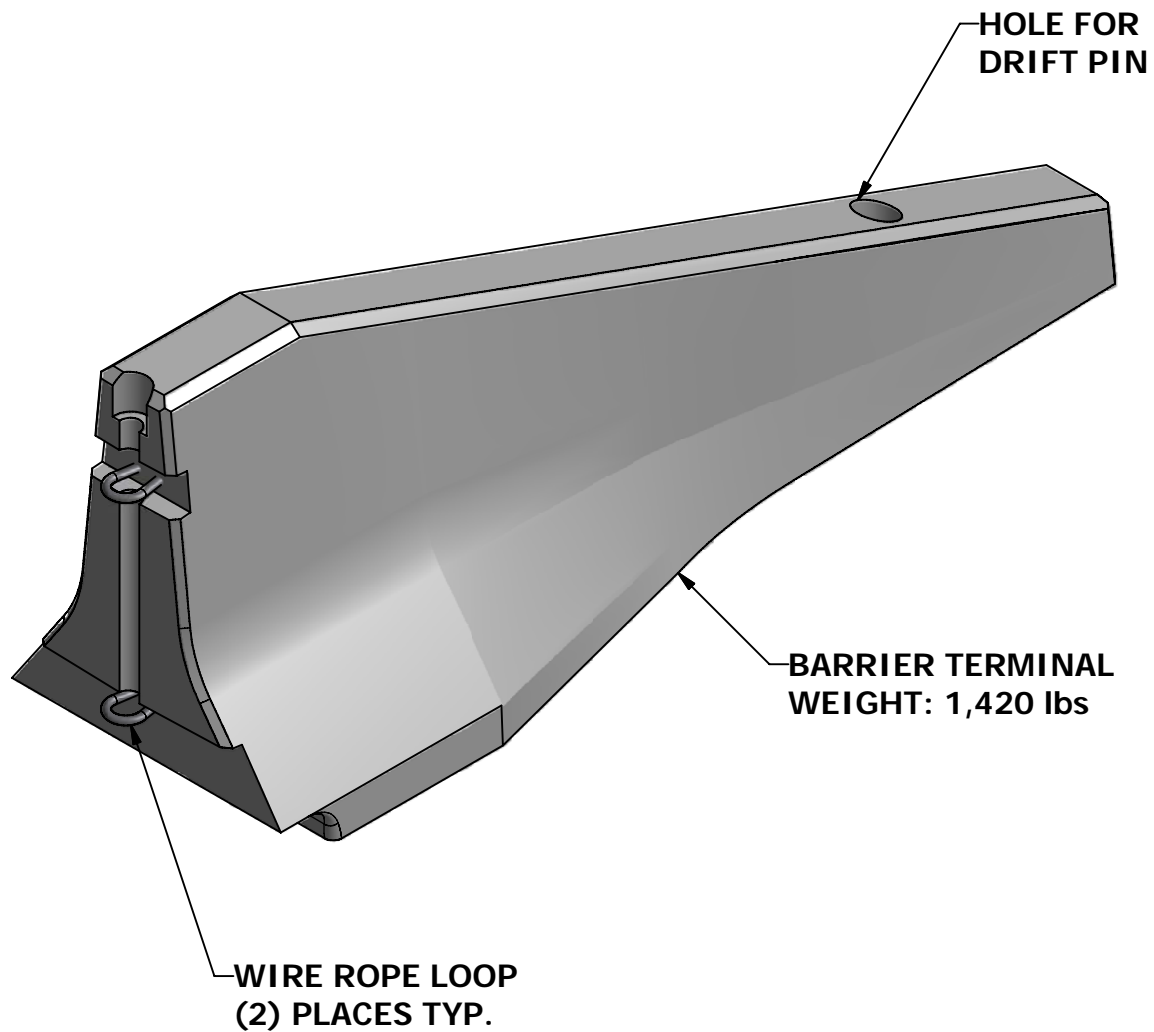


GRANITE™ PRECASTING & CONCRETE INC.

4116 BAKERVIEW SPUR • BELLINGHAM, WA. 98226 • (360) 671-2251 • 1-800-808-2251 • FAX: (360) 671-0780

Type 2 Barrier Terminal B

Meets or Exceeds:
WSDOT Std. Plan C-8



© 2011 Granite Precasting & Concrete, Inc.

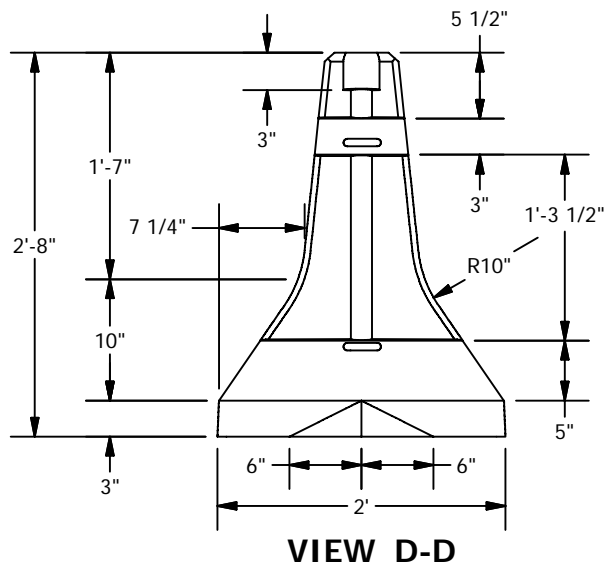
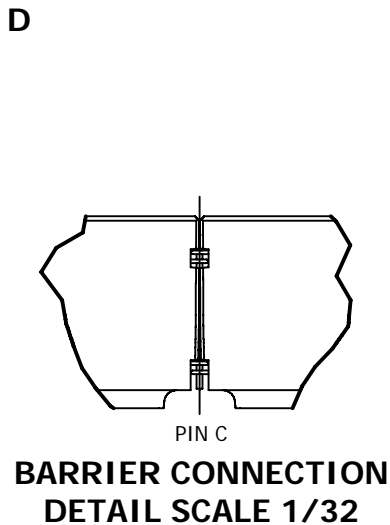
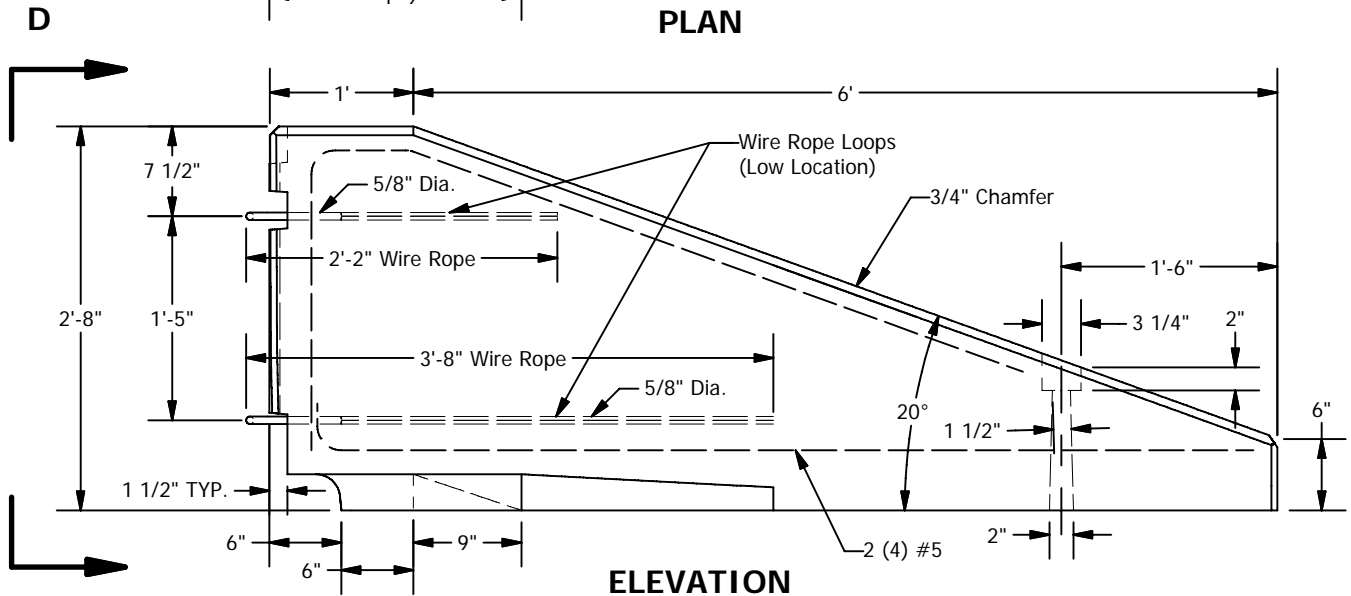
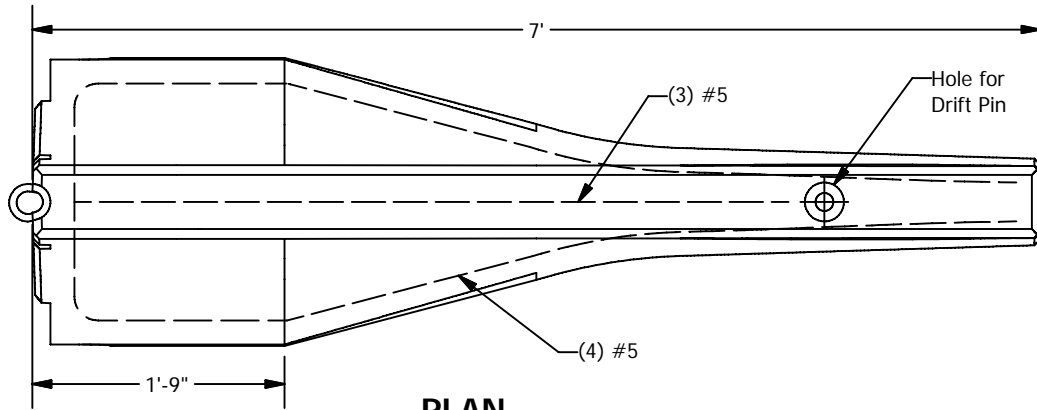


GRANITETM

**PRECASTING &
CONCRETE INC.**

4116 BAKERVIEW SPUR • BELLINGHAM, WA. 98226 • (360) 671-2251 • 1-800-808-2251 • FAX: (360) 671-0780

Type 2 Barrier Terminal B



CONCRETE:
F_c = 4,000 psi @ 28 Days

REINFORCING STEEL:
Rebar: ASTM A-615 Grade 60

© 2011 Granite Precasting & Concrete, Inc.



GRANITE™ PRECASTING & CONCRETE INC.

4116 BAKERVIEW SPUR • BELLINGHAM, WA. 98226 • (360) 671-2251 • 1-800-808-2251 • FAX: (360) 671-0780