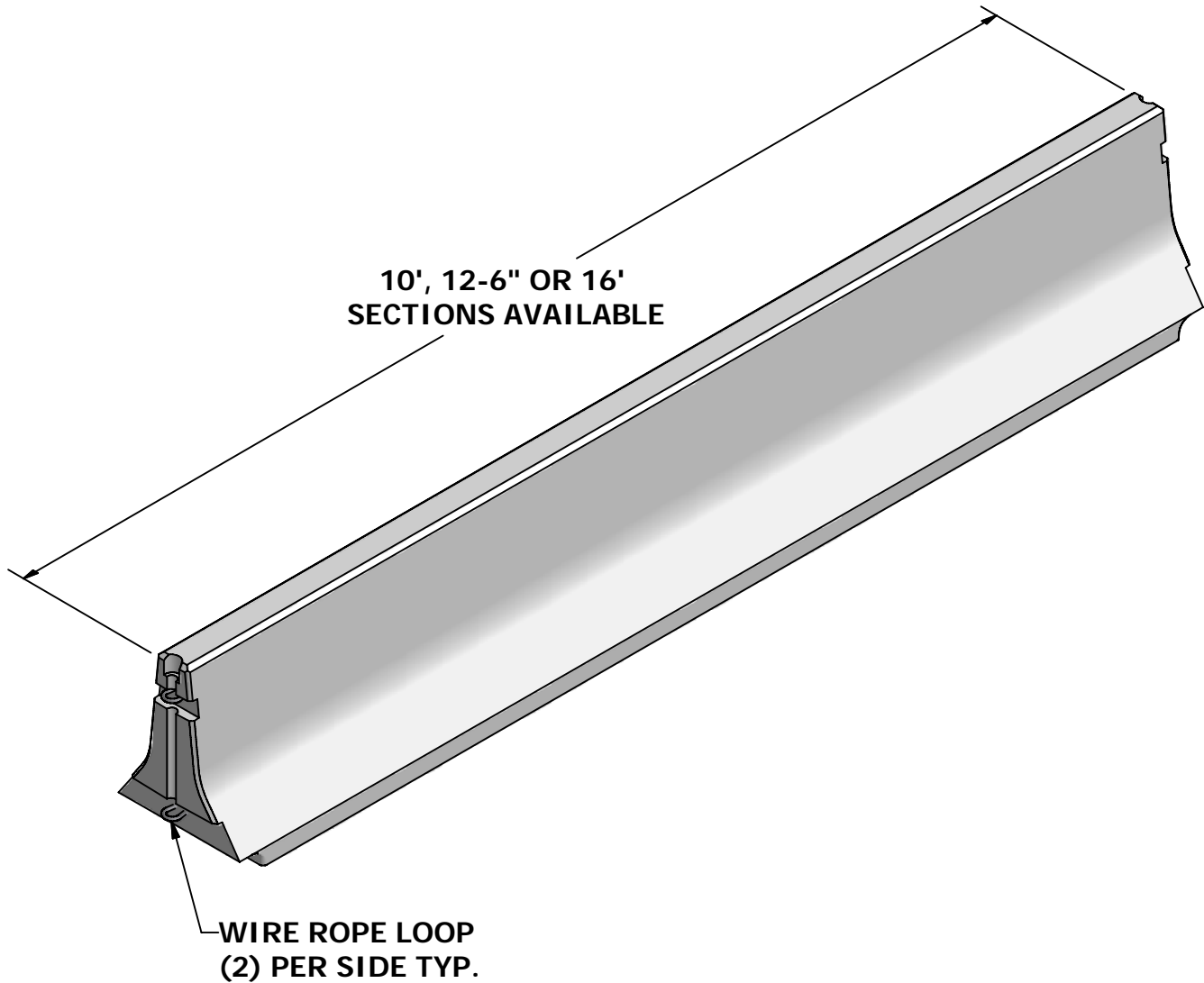


# Type 2 Barrier

Meets or Exceeds:  
WSDOT Std. Plan C-8



10' SECTION  
3,740 lbs

12'-6" SECTION  
4,700 lbs

16' SECTION  
5,860 lbs

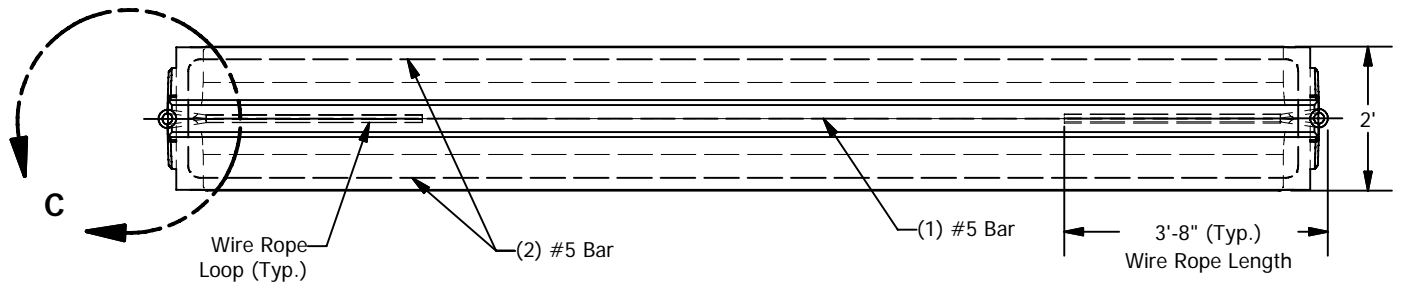


**GRANITE**<sup>TM</sup>

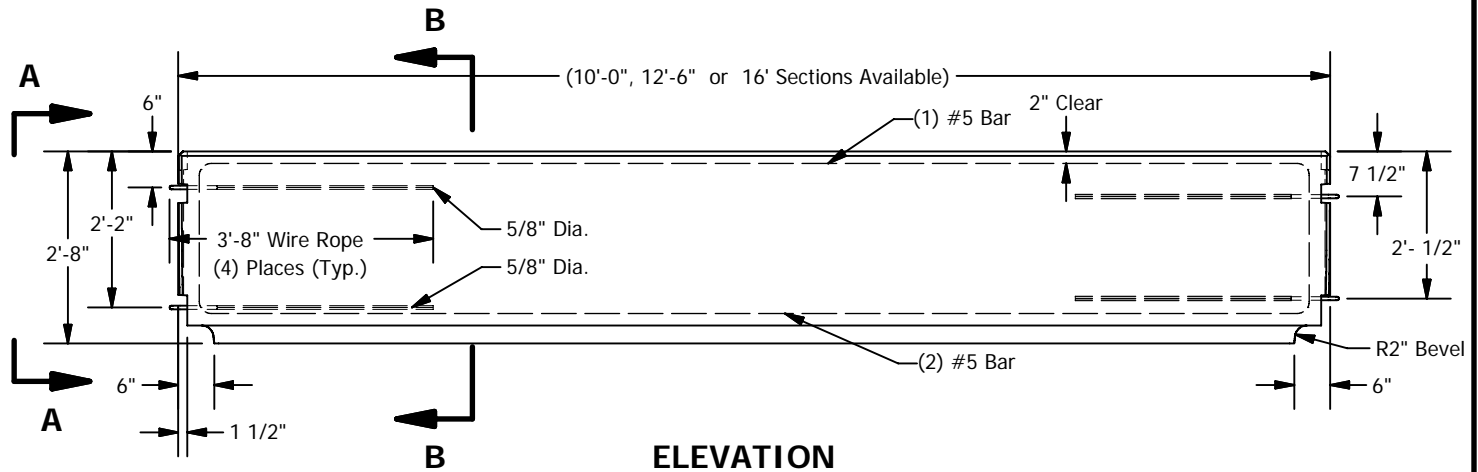
**PRECASTING &  
CONCRETE INC.**

4116 BAKERVIEW SPUR • BELLINGHAM, WA. 98226 • (360) 671-2251 • 1-800-808-2251 • FAX: (360) 671-0780

# Type 2 Barrier



**PLAN**



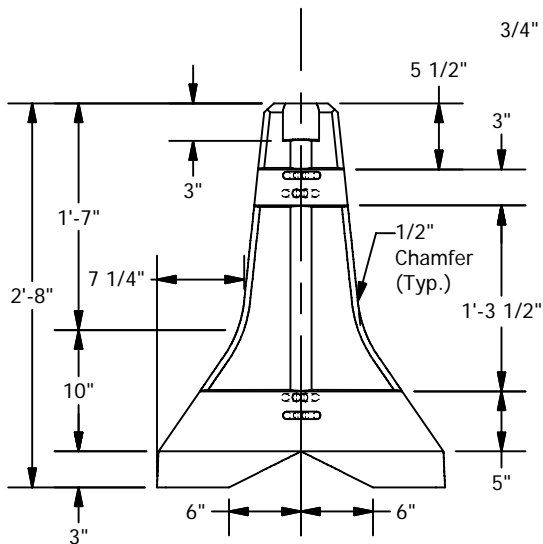
**ELEVATION**

**CONCRETE:**

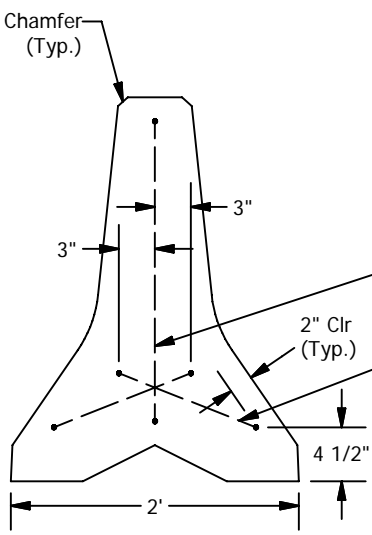
F<sub>c</sub> = 4,000 psi @ 28 Days

**REINFORCING STEEL:**

Rebar: ASTM A-615 Grade 60

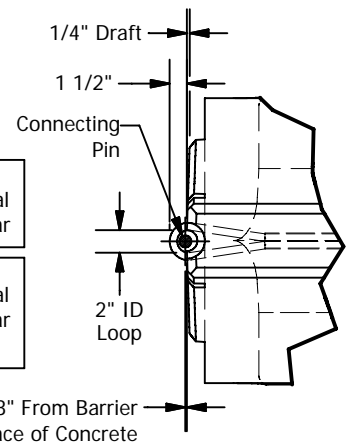


**VIEW A-A**  
SCALE 1/16



**SECTION B-B**  
SCALE 1/16

Barrier Section ① #5 Bar (Typ.)	Barrier Terminal ③ #5 Bar (Typ.)
Barrier Section ② #5 Bar (Typ.)	Barrier Terminal ④ #5 Bar (Typ.)



**DETAIL C**  
SCALE 1 / 16



**GRANITE™**

**PRECASTING & CONCRETE INC.**

4116 BAKERVIEW SPUR • BELLINGHAM, WA. 98226 • (360) 671-2251 • 1-800-808-2251 • FAX: (360) 671-0780