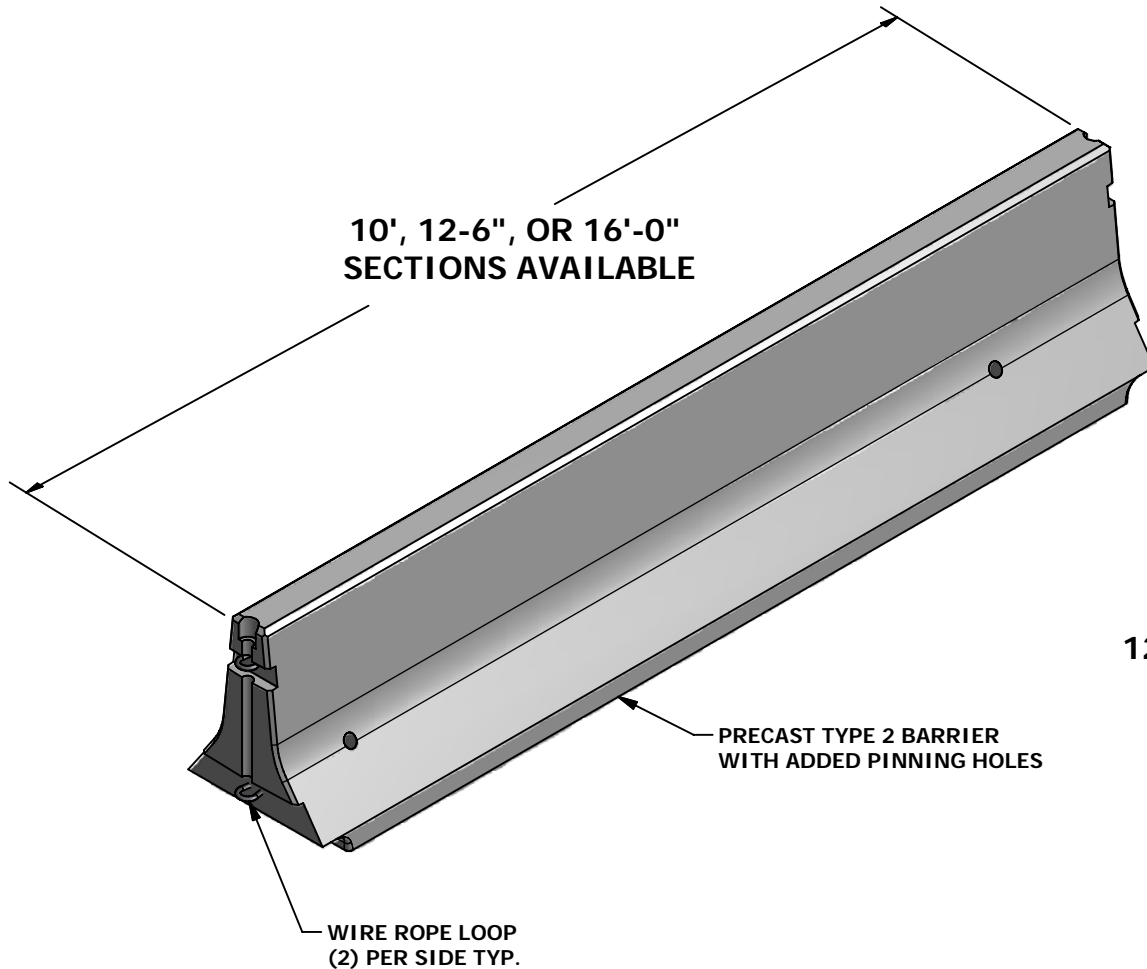


Type 3 Barrier

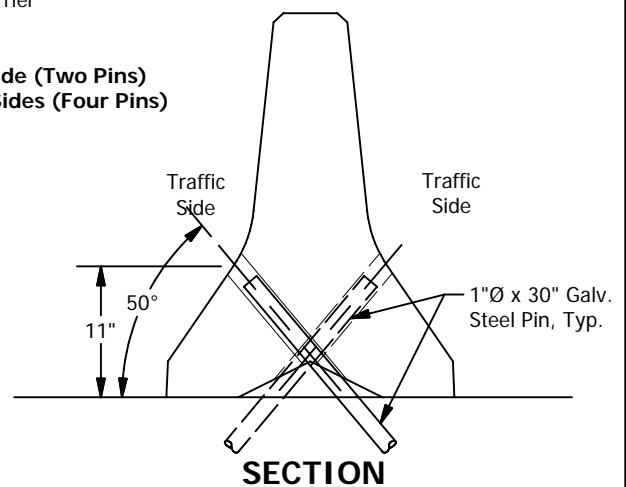
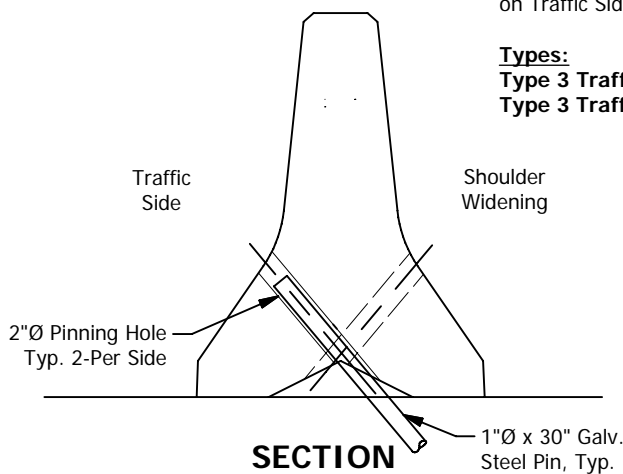
Meets or Exceeds:
WSDOT Std. Plan C-8e



10' SECTION
3,740 lbs
12'-6" SECTION
4,700 lbs
16' SECTION
5,860 lbs

Note: Pinning Holes (Typ.) - Only Required on Traffic Side(s) of Barrier

Types:
Type 3 Traffic One Side (Two Pins)
Type 3 Traffic Both Sides (Four Pins)



© 2011 Granite Precasting & Concrete, Inc.



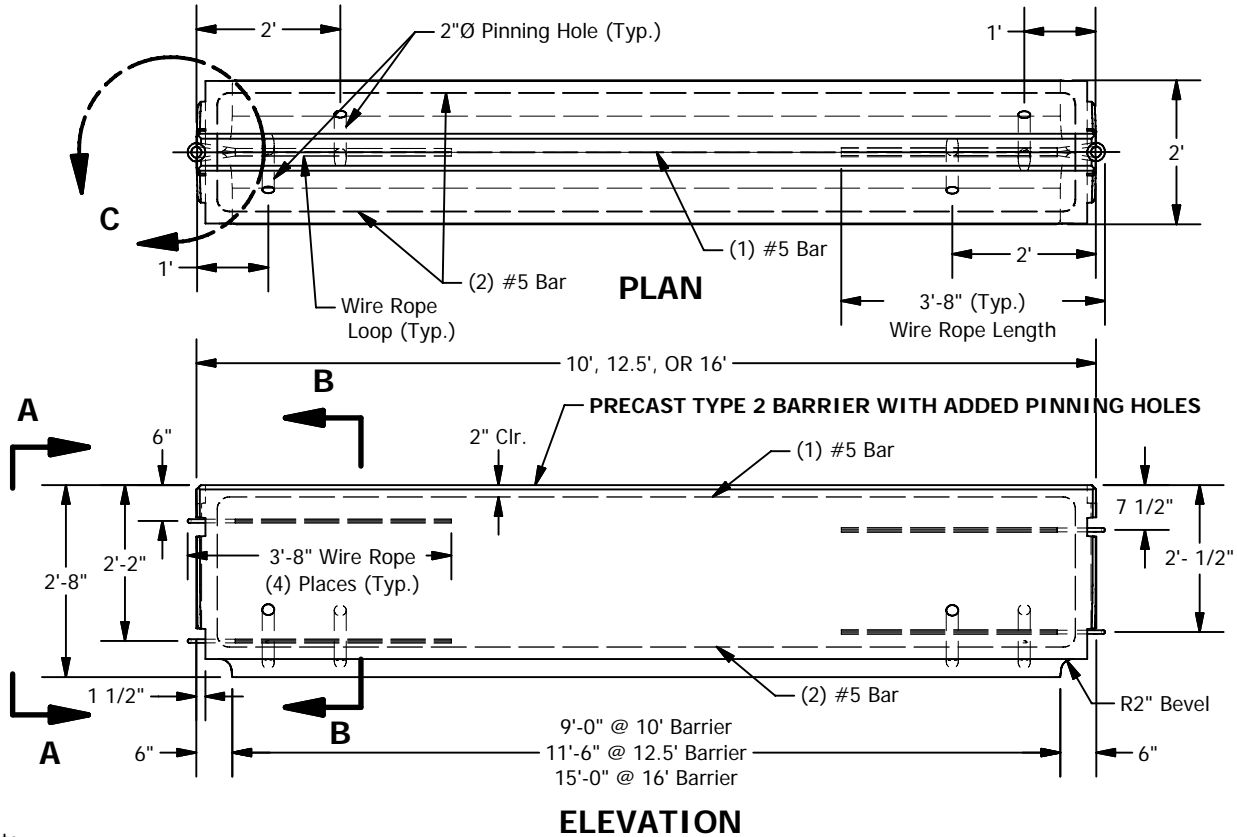
GRANITE™

PRECASTING & CONCRETE INC.

4116 BAKERVIEW SPUR • BELLINGHAM, WA. 98226 • (360) 671-2251 • 1-800-808-2251 • FAX: (360) 671-0780

Type 3 Barrier

Meets or Exceeds:
WSDOT Std. Plan C-8e

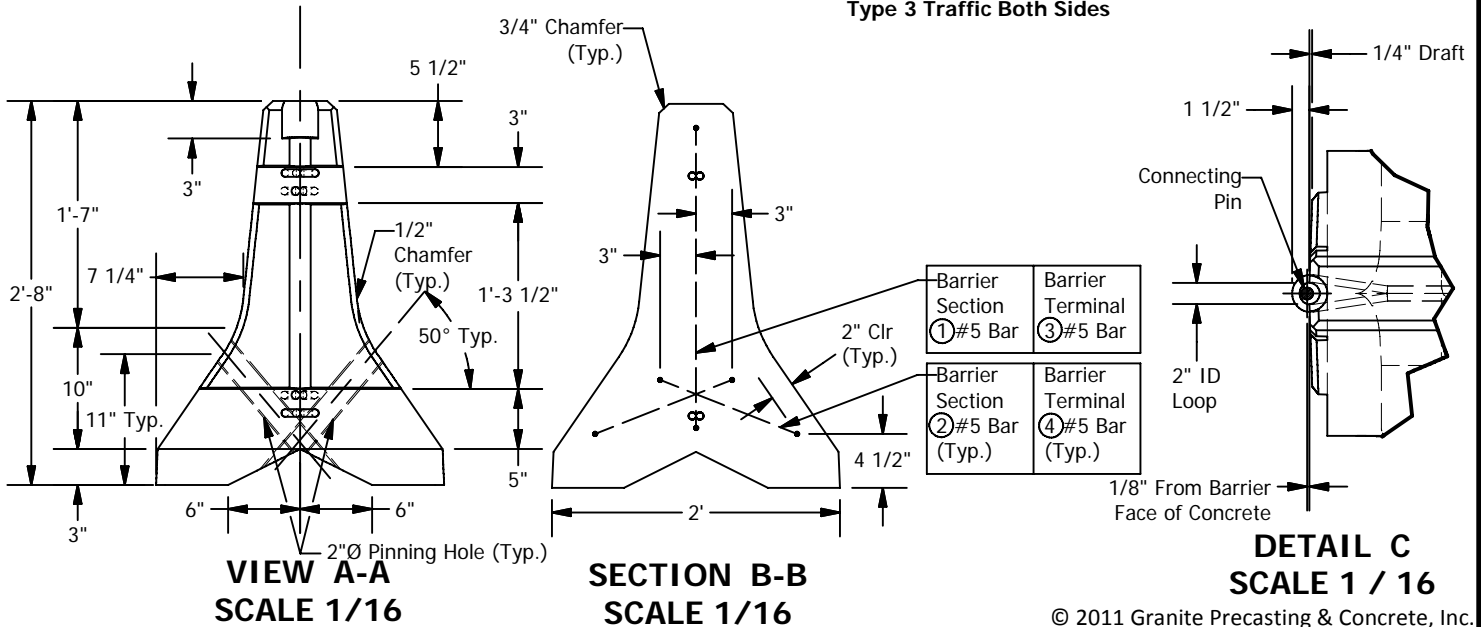


Concrete:
F_c = 4,000 psi @ 28 Days

Reinforcement:
ASTM A-615 Grade 60

Note: Pinning Holes (Typ.) - Only Required on Traffic Side(s) of Barrier

Types:
Type 3 Traffic One Side
Type 3 Traffic Both Sides



© 2011 Granite Precasting & Concrete, Inc.



GRANITE™

PRECASTING & CONCRETE INC.

4116 BAKERVIEW SPUR • BELLINGHAM, WA. 98226 • (360) 671-2251 • 1-800-808-2251 • FAX: (360) 671-0780