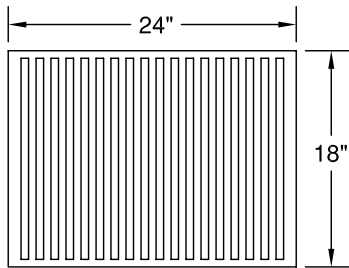
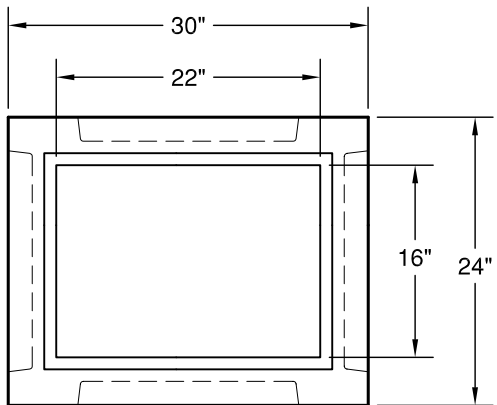


Type 30 Catch Basin

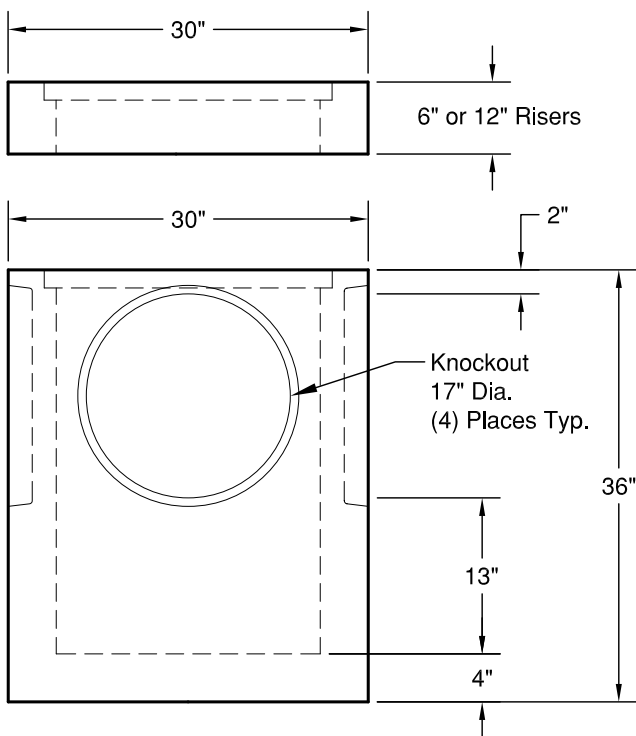
Constructed in Accordance with ASTM C-478



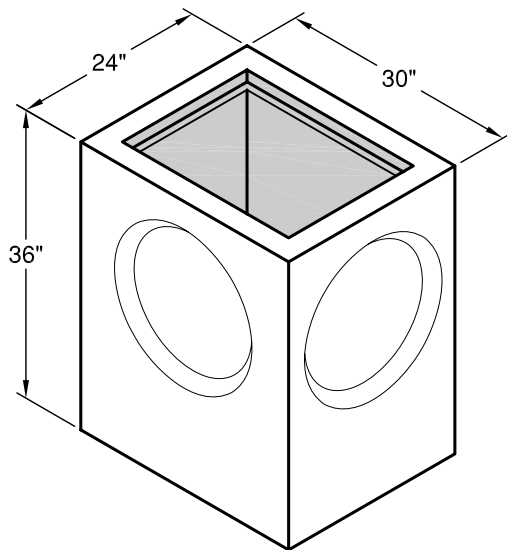
GRATE



PLAN



ELEVATION



ISO VIEW

WEIGHTS:

BASE: 1,250 lbs
6" RISER: 205 lbs
12" RISER: 410 lbs

CONCRETE:

Fc= 4,000 psi @ 28 Days

REINFORCING:

Welded Wire Fabric: ASTM A 497
0.12 Sq in./lin ft min.
No Wire Fabric in Knockout

PIPE PENETRATIONS:

Standard Knockouts (4)

© 2011 Granite Precasting & Concrete, Inc.



GRANITE™

**PRECASTING &
CONCRETE INC.**

4116 BAKERVIEW SPUR • BELLINGHAM, WA 98226 • (360) 671-2251 • 1-800-808-2251 • FAX: (360) 671-0780