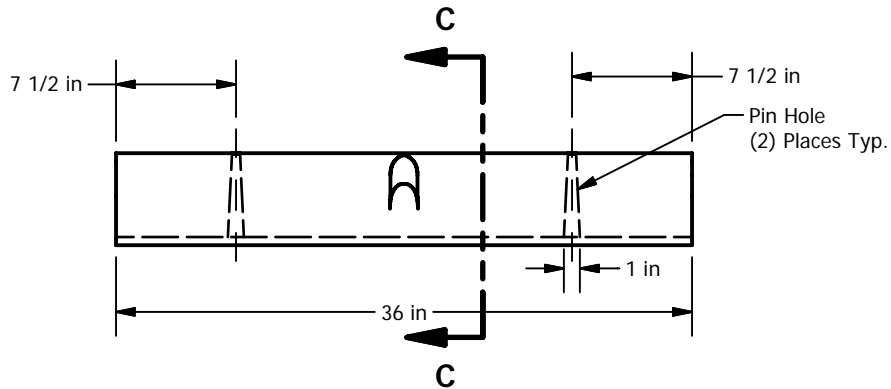
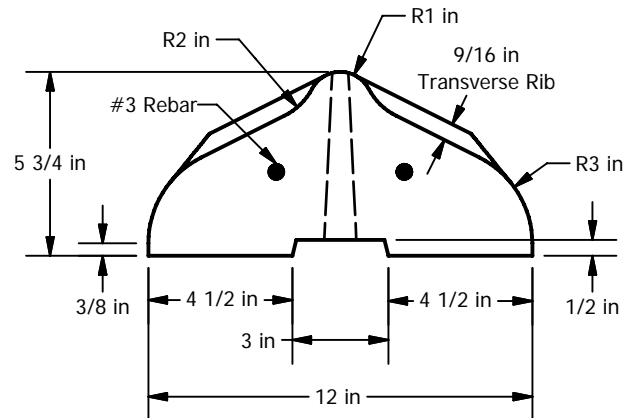
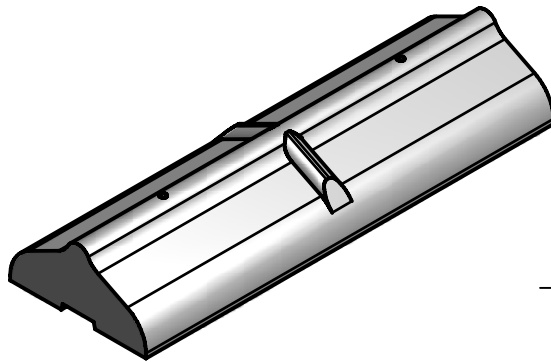


Type 'C' Traffic Curb



ELEVATION



SECTION C-C
SCALE 1 / 6

Weight: 140 lbs
Concrete: Fc= 4,000 psi @ 28 Days
Reinforcement: (2) - #4 Rebar
ASTM A-615 Grade 60

© 2011 Granite Precasting & Concrete, Inc.



GRANITETM

**PRECASTING &
CONCRETE INC.**

4116 BAKERVIEW SPUR • BELLINGHAM, WA. 98226 • (360) 671-2251 • 1-800-808-2251 • FAX: (360) 671-0780