

Dual Slope / Nosing Block

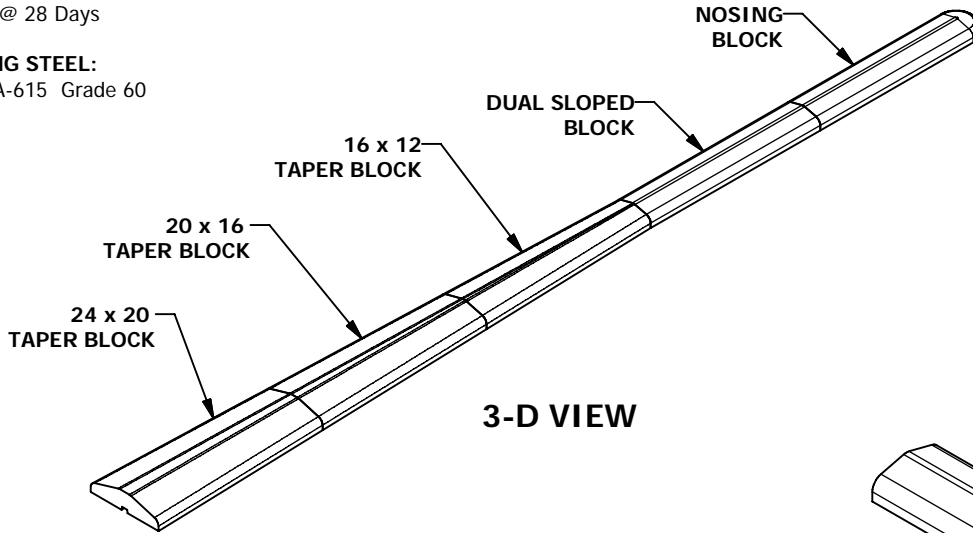
Meets or Exceeds WSDOT Std. Plan F-10.64-02

CONCRETE:

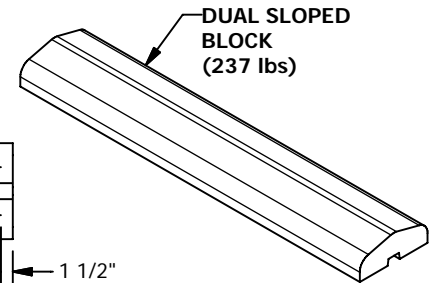
Fc= 4,000 psi @ 28 Days

REINFORCING STEEL:

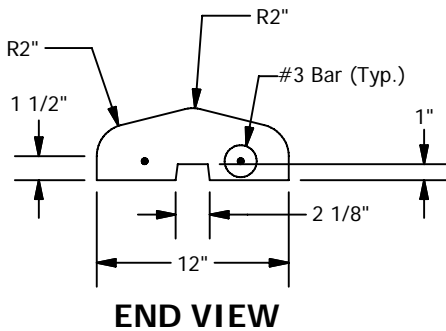
Rebar: ASTM A-615 Grade 60



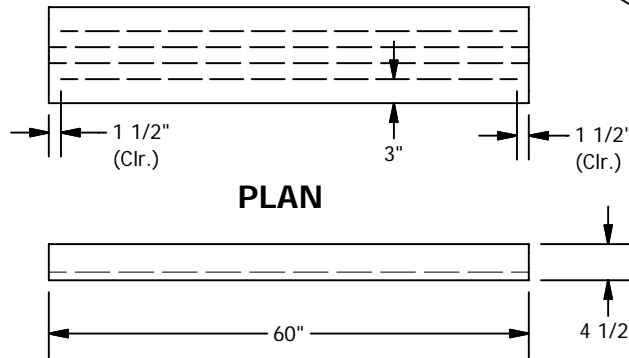
3-D VIEW



DUAL SLOPED BLOCK (237 lbs)

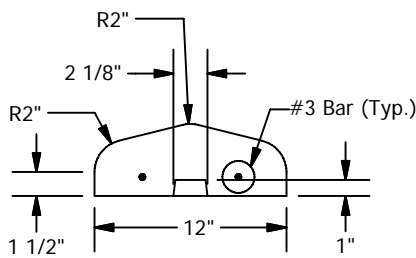


END VIEW

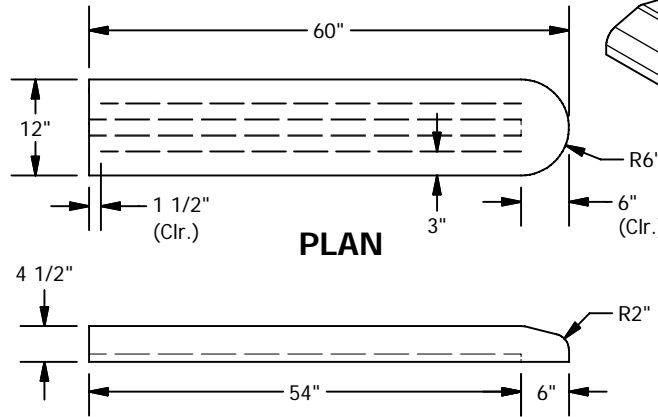


PLAN

ELEVATION

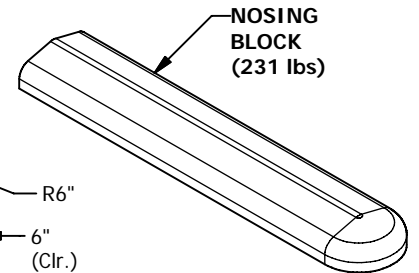


END VIEW



PLAN

ELEVATION



NOSING BLOCK (231 lbs)

© 2011 Granite Precasting & Concrete, Inc.



GRANITE™

PRECASTING & CONCRETE INC.

4116 BAKERVIEW SPUR • BELLINGHAM, WA. 98226 • (360) 671-2251 • 1-800-808-2251 • FAX: (360) 671-0780