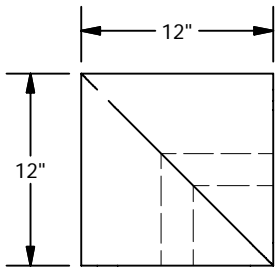
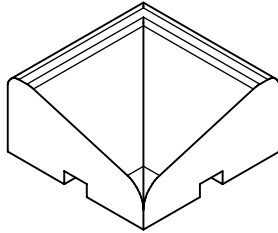


Corner / Radius Blocks

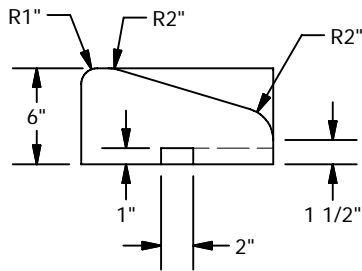
Meets or Exceeds WSDOT Std. Plan F-10.62-01



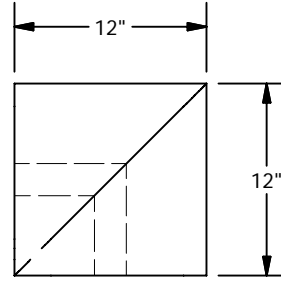
PLAN



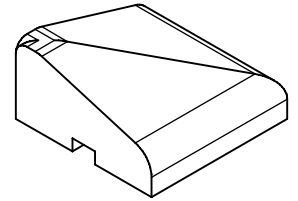
INSIDE CORNER
BLOCK
(68 lbs)



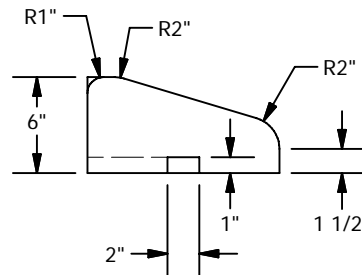
ELEVATION



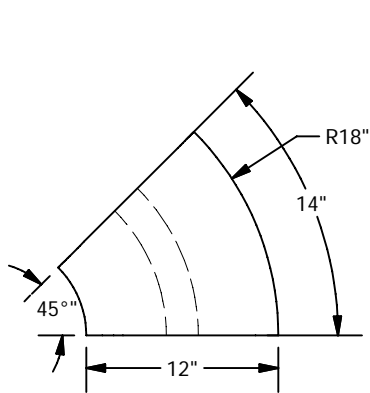
PLAN



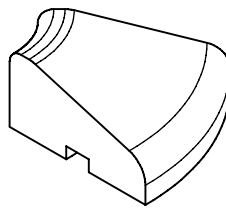
OUTSIDE CORNER
BLOCK
(53 lbs)



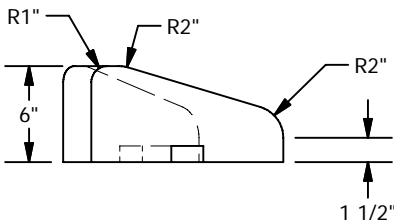
ELEVATION



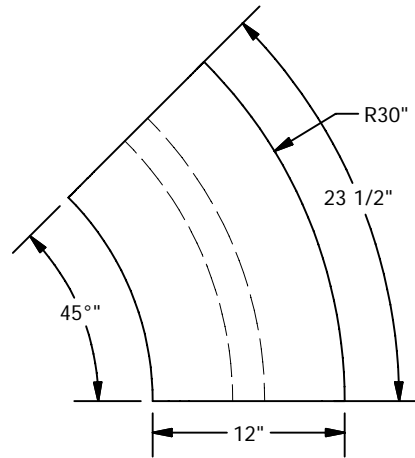
PLAN



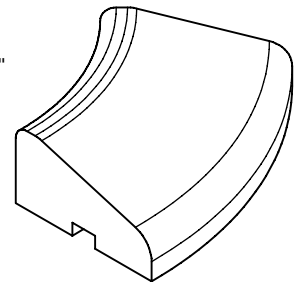
18" RADIUS
BLOCK
(45 lbs)



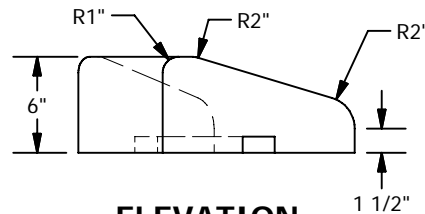
ELEVATION



PLAN



30" RADIUS
BLOCK
(92 lbs)



ELEVATION

CONCRETE:
F_c = 4,000 psi @ 28 Days

REINFORCING STEEL:
Rebar: ASTM A-615 Grade 60

© 2011 Granite Precasting & Concrete, Inc.



GRANITETM

**PRECASTING &
CONCRETE INC.**

4116 BAKERVIEW SPUR • BELLINGHAM, WA. 98226 • (360) 671-2251 • 1-800-808-2251 • FAX: (360) 671-0780