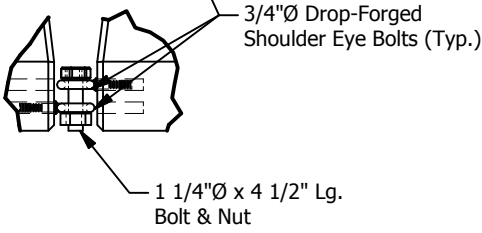
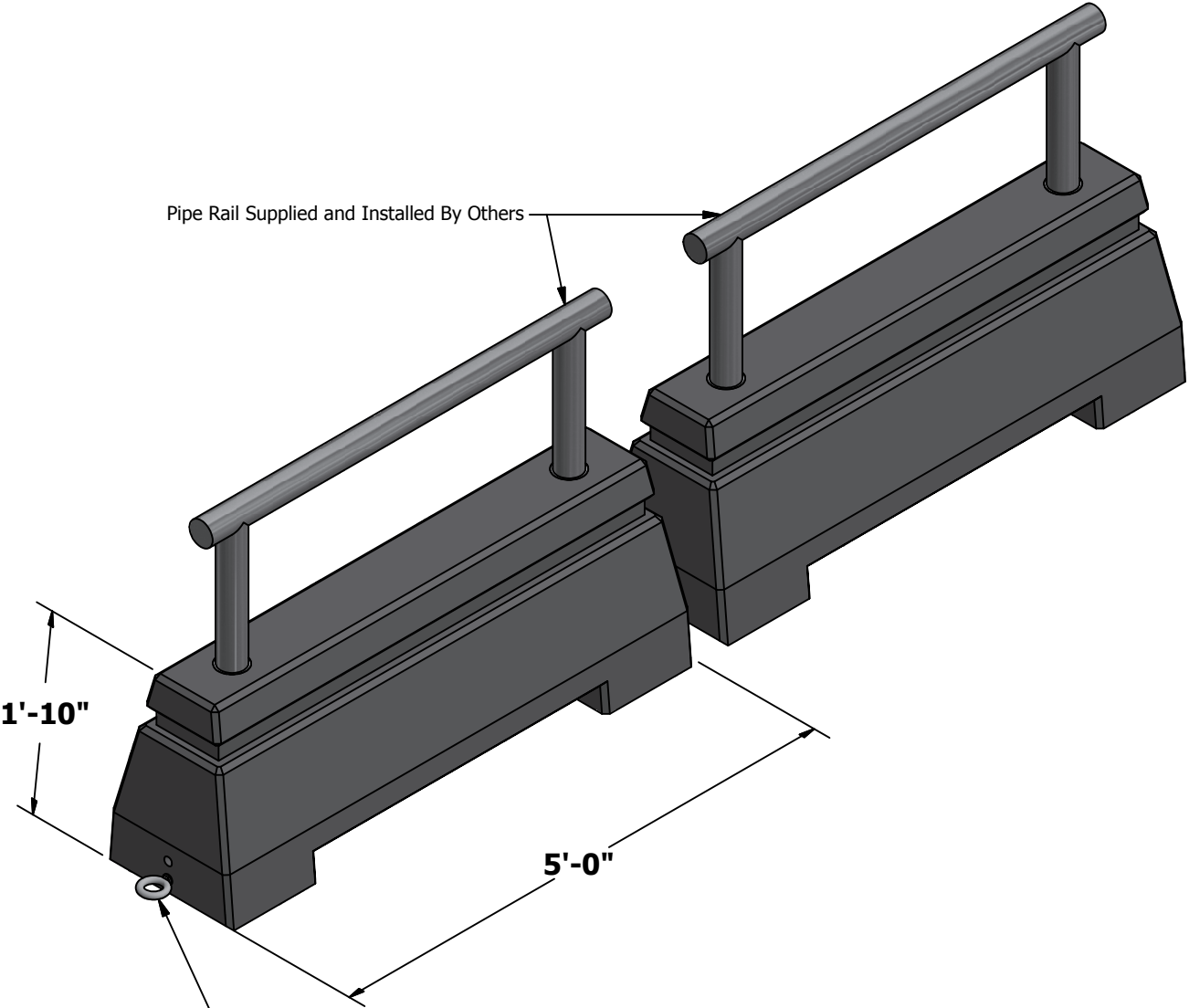


Security Barriers



CONNECTION DETAIL

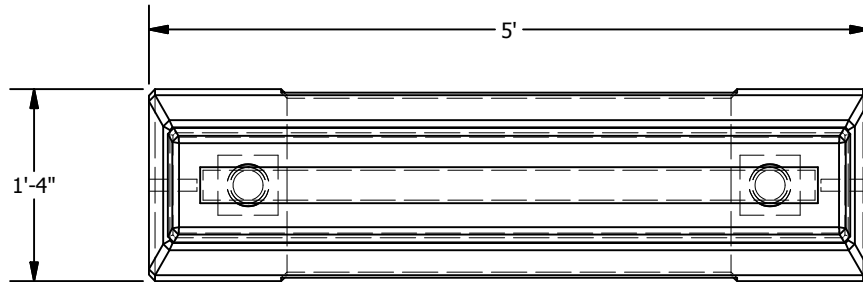
WEIGHT
1,250 lbs.

© 2013 Granite Precasting & Concrete, Inc.



4116 BAKERVIEW SPUR, BELLINGHAM, WA 98226 - (360) 671-2251 - 1-800-808-2251 - FAX: (360) 671-0780

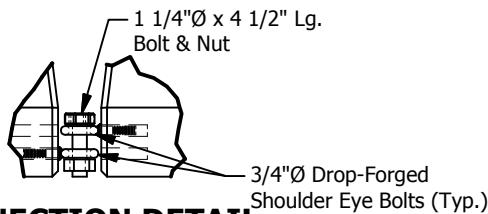
Security Barriers



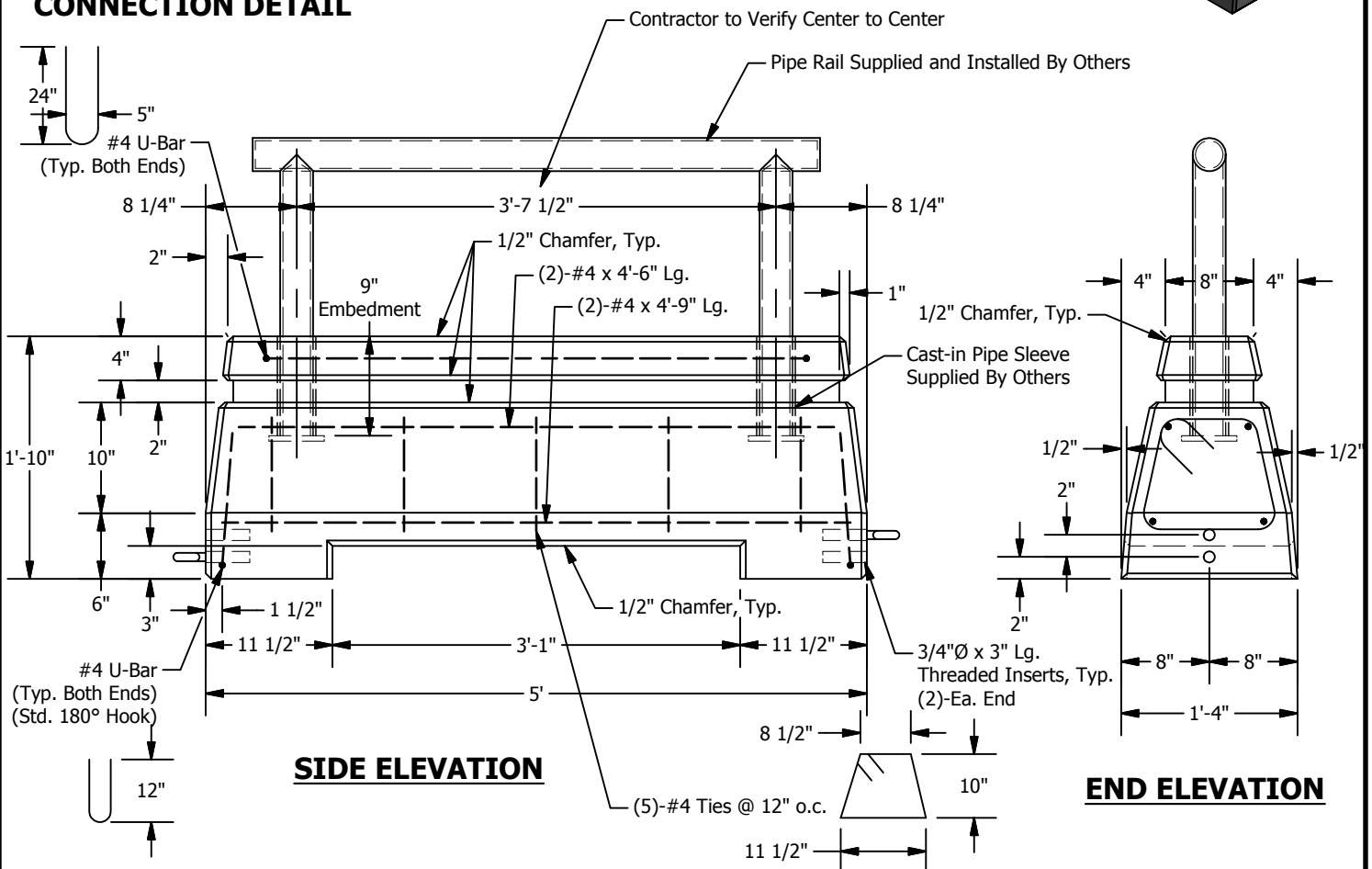
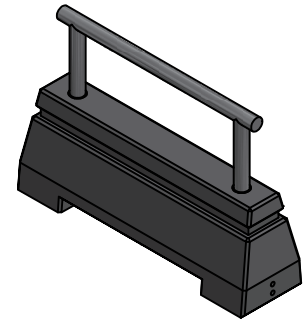
PLAN VIEW

DESIGN NOTES:

- 1) Concrete: $F_c = 6,000$ psi @ 28 Days
- 2) Reinforcement: ASTM A-615 Grade 60
- 3) 1 1/2" Bar Cover Typ.
- 4) Weight = 1,350 lbs. (~270 lb/ft)
- 5) Concrete Barrier designed to withstand 1,500 lbs. horizontal impact (18" Above Grade). (Note, Potential exists for units to slide or overturn with 1,500 lb. load. Granite Precasting can not be responsible for overall stability of system.



CONNECTION DETAIL



SIDE ELEVATION

END ELEVATION



GRANITE™
PRECAST

4116 BAKERVIEW SPUR, BELLINGHAM, WA 98226 - (360) 671-2251 - 1-800-808-2251 - FAX: (360) 671-0780