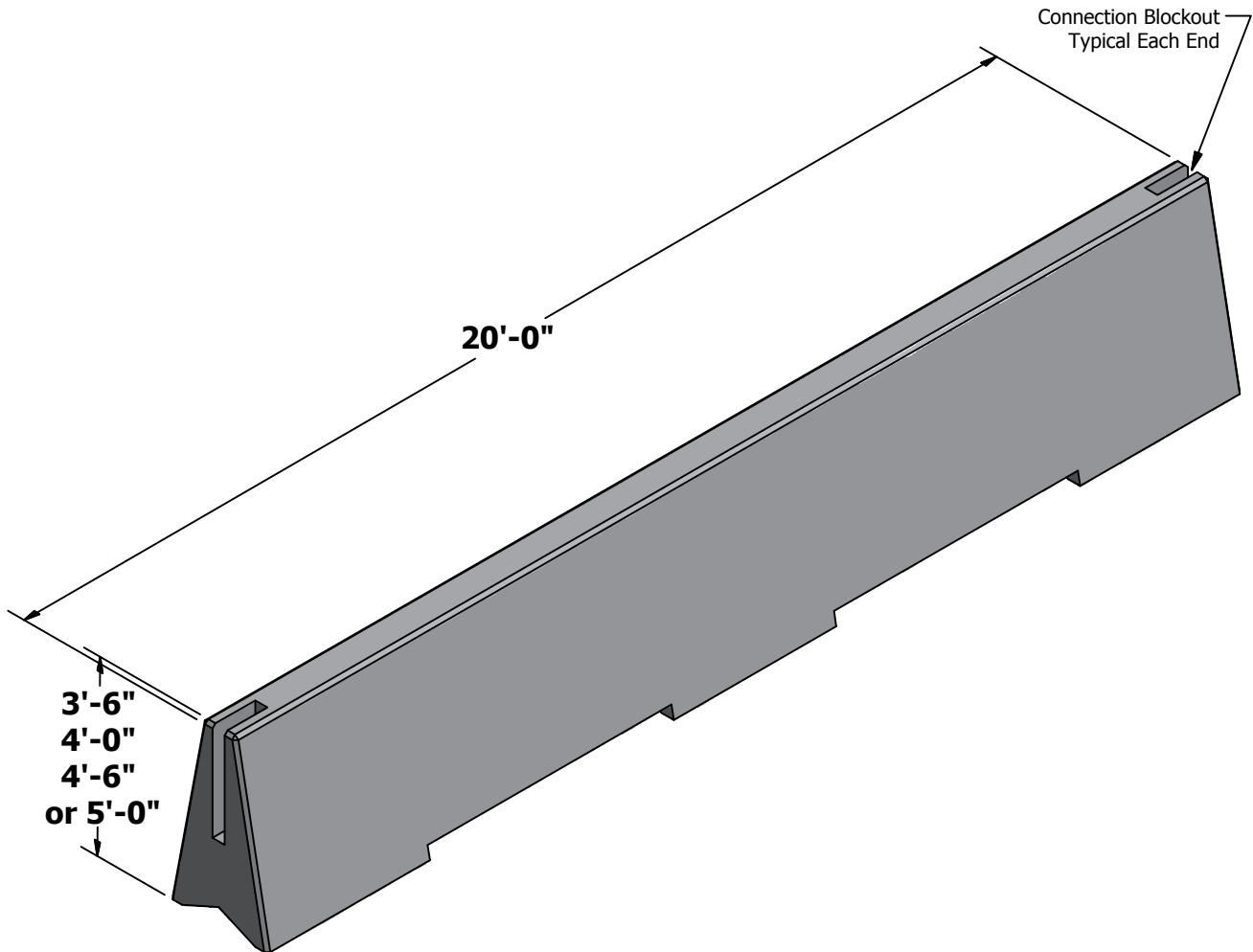


Type C-13 Barrier

Meets or Exceeds:
WSDOT Std. Plan C-13



20'-0" SECTION

13,600 lbs for 3'-6" Height
16,800 lbs for 4'-0" Height
20,300 lbs for 4'-6" Height
24,250 lbs for 5'-0" Height

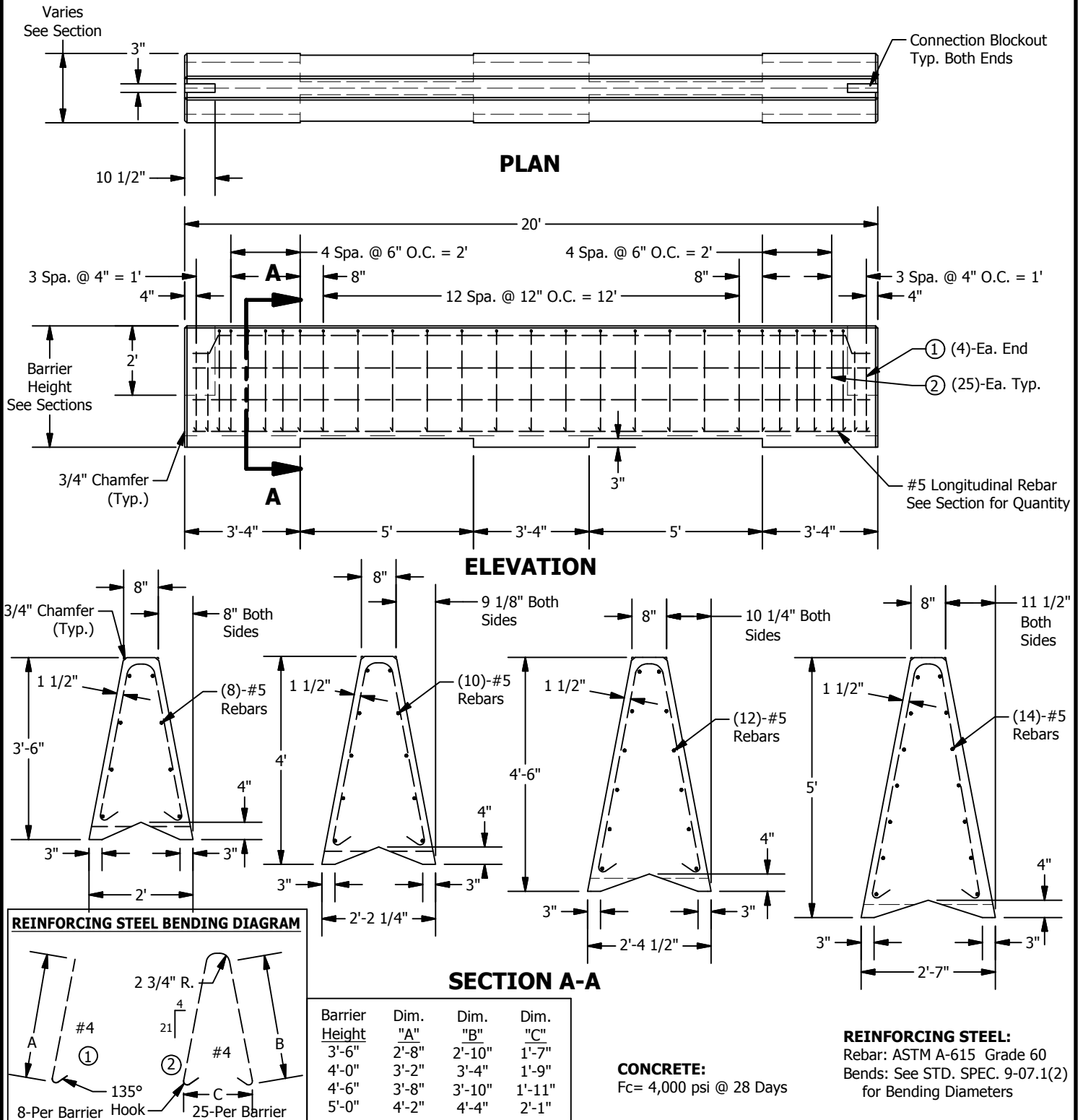
© 2013 Granite Precasting & Concrete, Inc.



GRANITE™
PRECAST

4116 BAKERVIEW SPUR, BELLINGHAM, WA 98226 - (360) 671-2251 - 1-800-808-2251 - FAX: (360) 671-0780

Type C-13 Barrier



© 2013 Granite Precasting & Concrete, Inc.



4116 BAKERVIEW SPUR, BELLINGHAM, WA 98226 - (360) 671-2251 - 1-800-808-2251 - FAX: (360) 671-0780