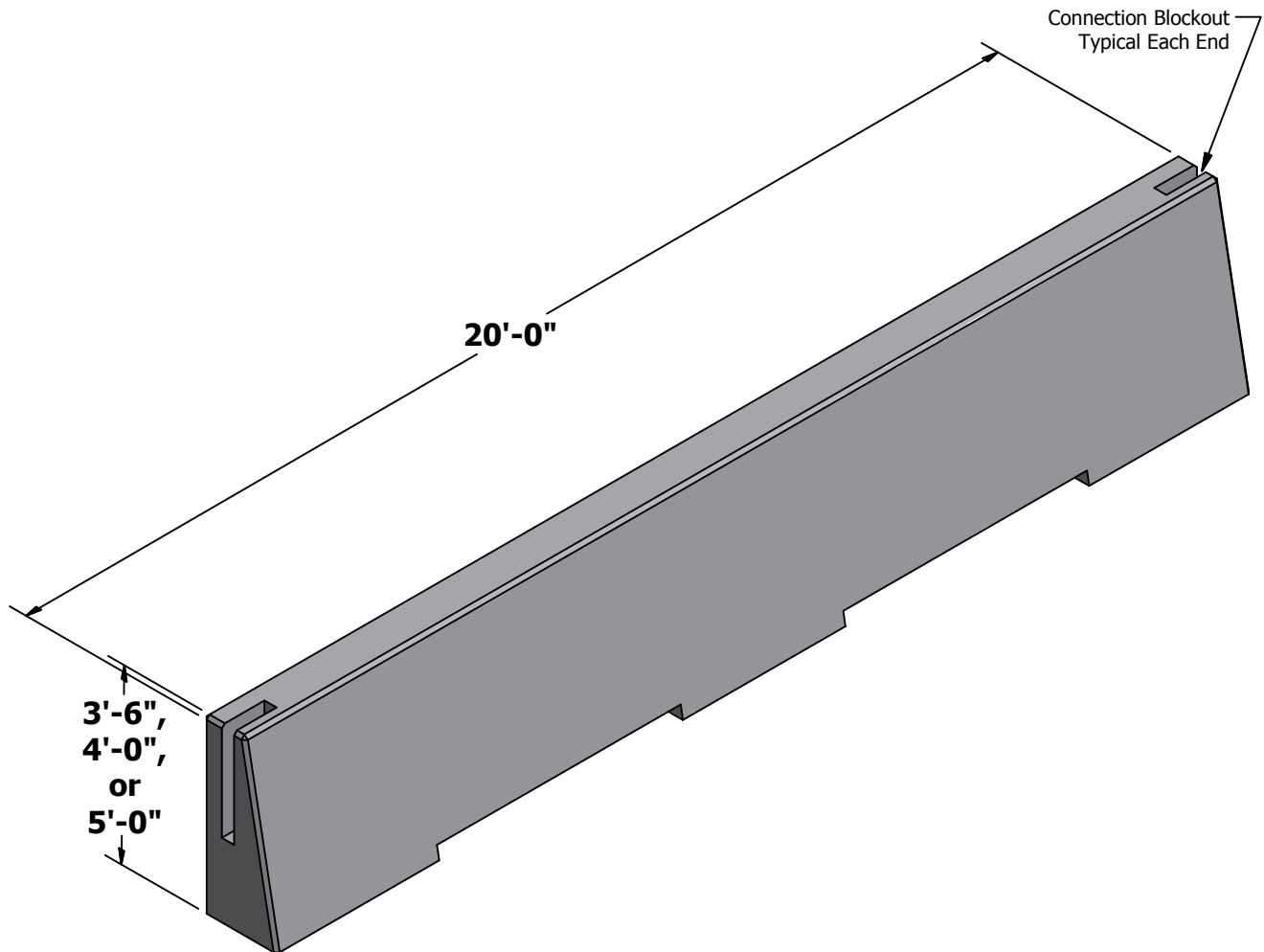


Type C-13b Barrier

Meets or Exceeds:
WSDOT Std. Plan C-13b



20'-0" SECTION

12,000 lbs for 3'-6" Height
14,300 lbs for 4'-0" Height
19,500 lbs for 5'-0" Height

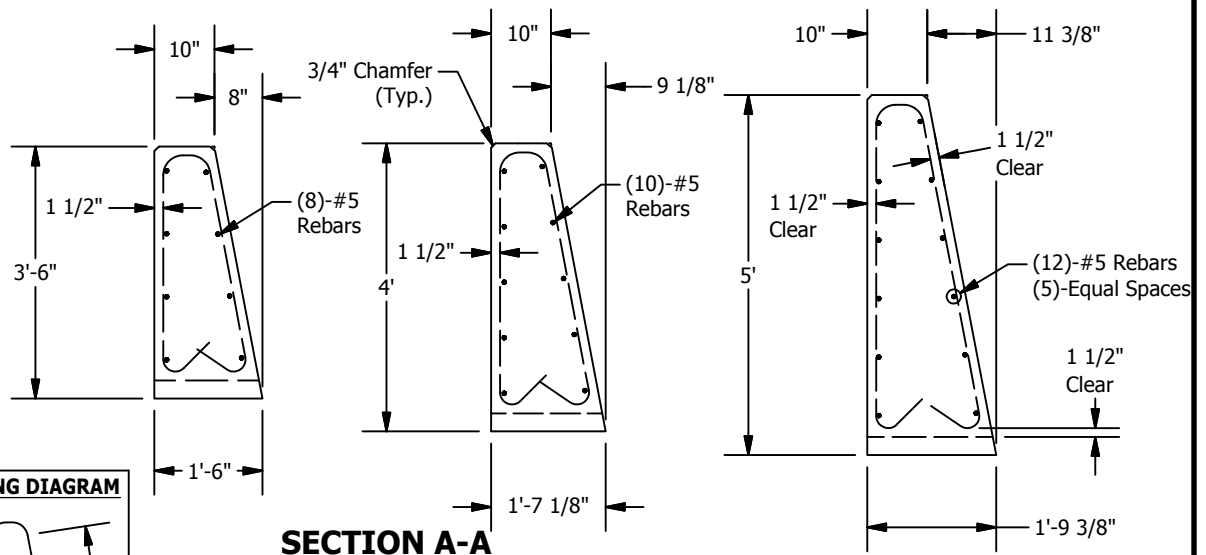
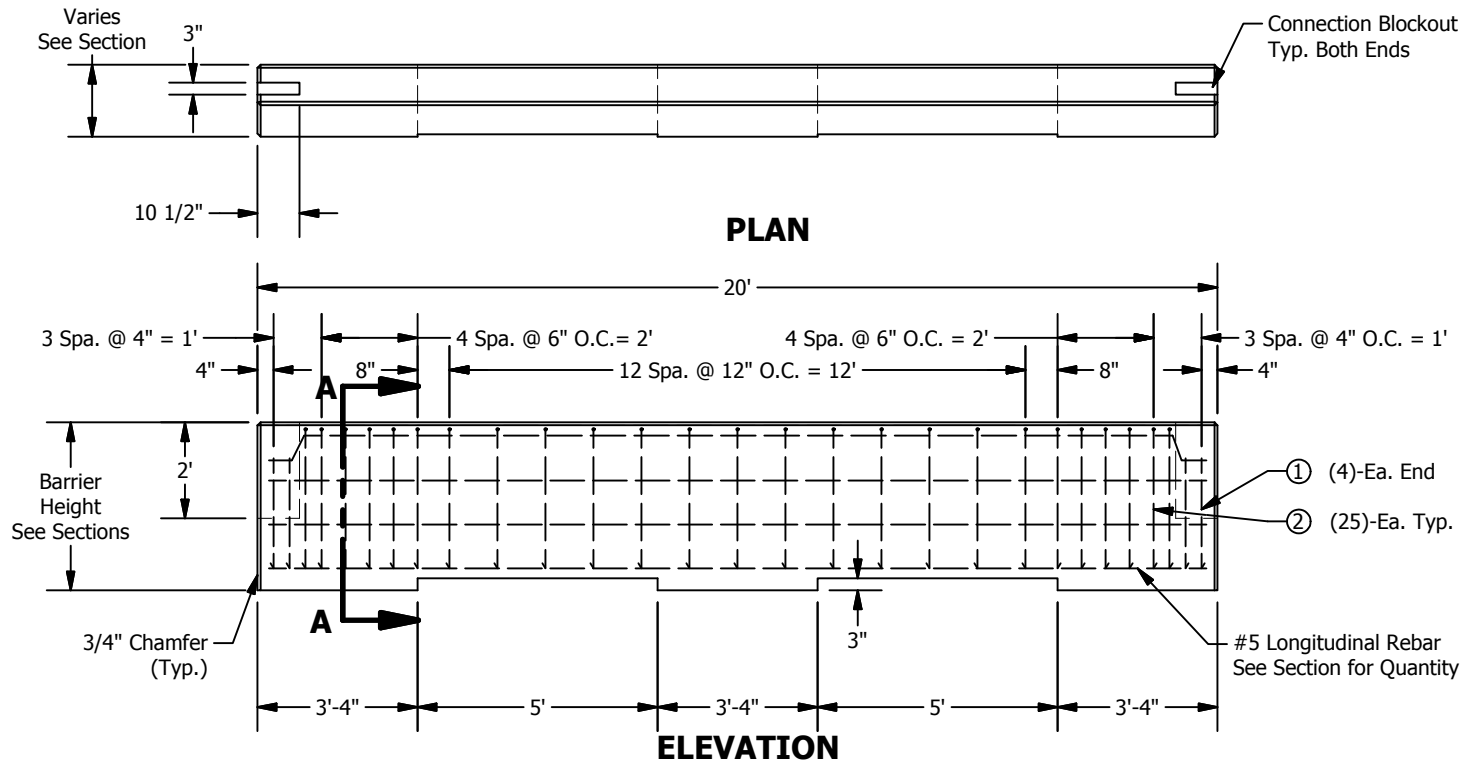
© 2013 Granite Precasting & Concrete, Inc.



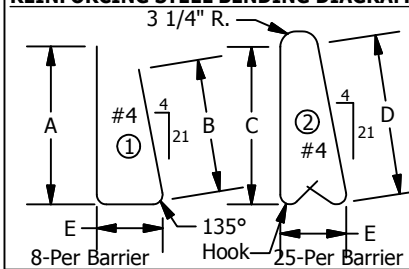
GRANITE™
PRECAST

4116 BAKERVIEW SPUR, BELLINGHAM, WA 98226 - (360) 671-2251 - 1-800-808-2251 - FAX: (360) 671-0780

Type C-13b Barrier



REINFORCING STEEL BENDING DIAGRAM



Barrier Height	Dim. "A"	Dim. "B"	Dim. "C"	Dim. "D"	Dim. "E"
3'-6"	3'-0"	2'-8 1/2"	2'-8"	2'-9 1/2"	1'-2"
4'-0"	3'-6"	3'-2 1/2"	3'-2"	3'-3 1/2"	1'-3"
5'-0"	4'-6"	4'-2 1/2"	4'-2"	4'-3 1/2"	1'-5 1/2"

CONCRETE:
 Fc= 4,000 psi @ 28 Days

REINFORCING STEEL:
 Rebar: ASTM A-615 Grade 60
 Bends: See STD. SPEC. 9-07.1(2) for Bending Diameters

© 2013 Granite Precasting & Concrete, Inc.



4116 BAKERVIEW SPUR, BELLINGHAM, WA 98226 - (360) 671-2251 - 1-800-808-2251 - FAX: (360) 671-0780