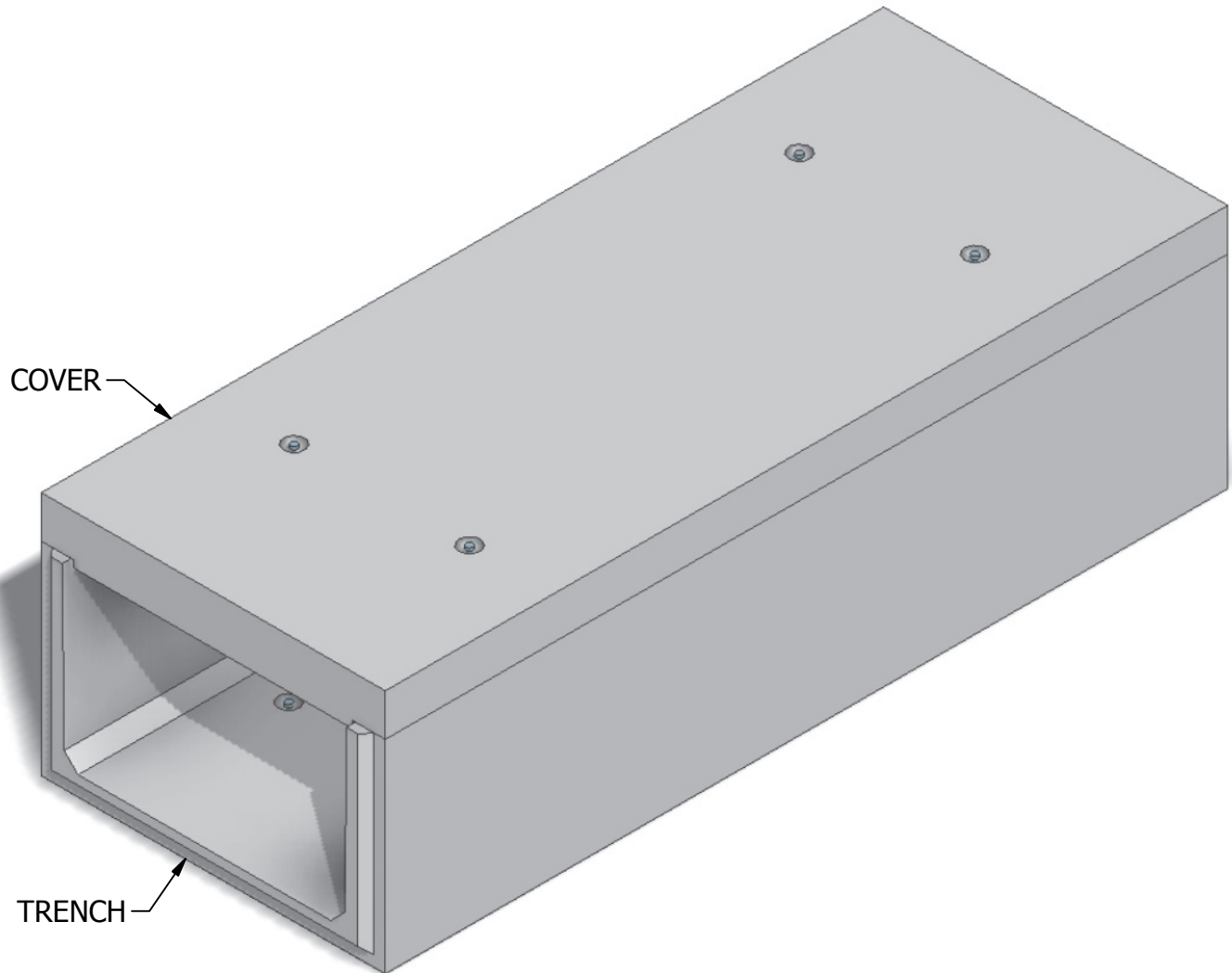


# 40 x 24 Precast Trench



INTERIOR DIMENSIONS:  
3'-4"W x 2'-0"H

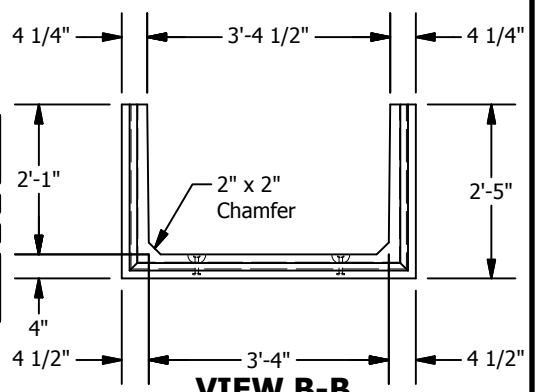
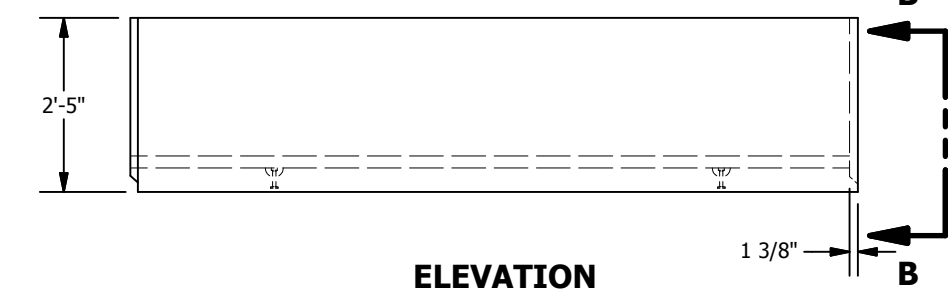
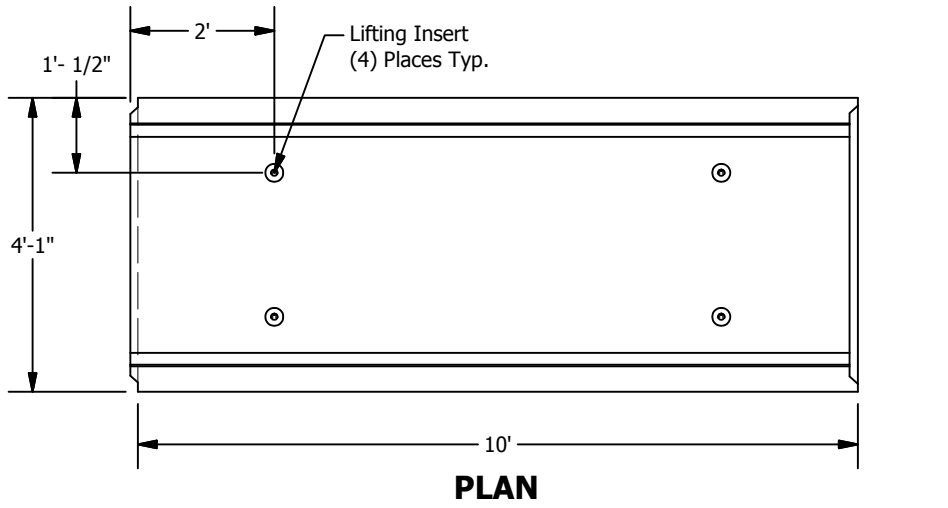
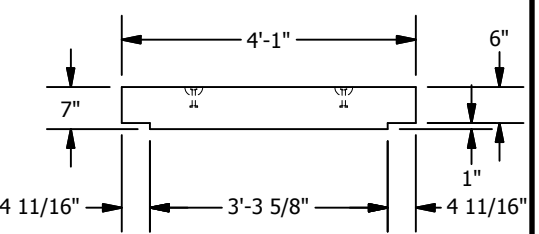
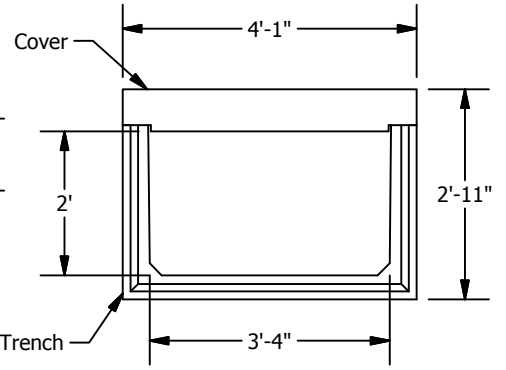
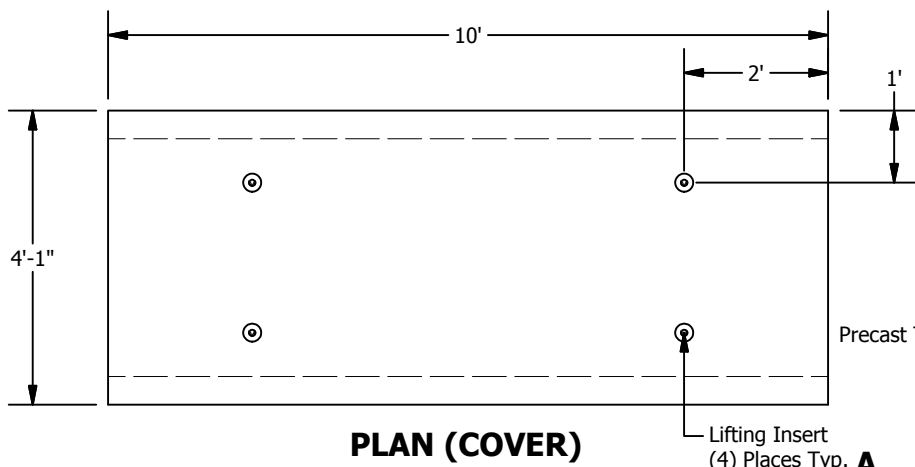
WEIGHTS:  
COVER (3,560 lbs)  
TRENCH (5,300 lbs)

© 2013 Granite Precasting & Concrete, Inc.



4116 BAKERVIEW SPUR, BELLINGHAM, WA 98226 - (360) 671-2251 - 1-800-808-2251 - FAX: (360) 671-0780

# 40 x 24 Precast Trench



© 2013 Granite Precasting & Concrete, Inc.

- SPECIFICATIONS**
- Concrete:  $F_c=4,000$  psi @28 days
  - Rebar: ASTM A-615 Grade 60
  - Design: ASTM C-857 "Minimum Structural Design Loading for Underground Precast Concrete Utility Structures"
  - Loads: AASHTO HS-20
  - Backfill with granular free draining material (sand or pea gravel) free of stones or cobbles greater than 4" in dia.
  - Items shown are subject to change without notice.