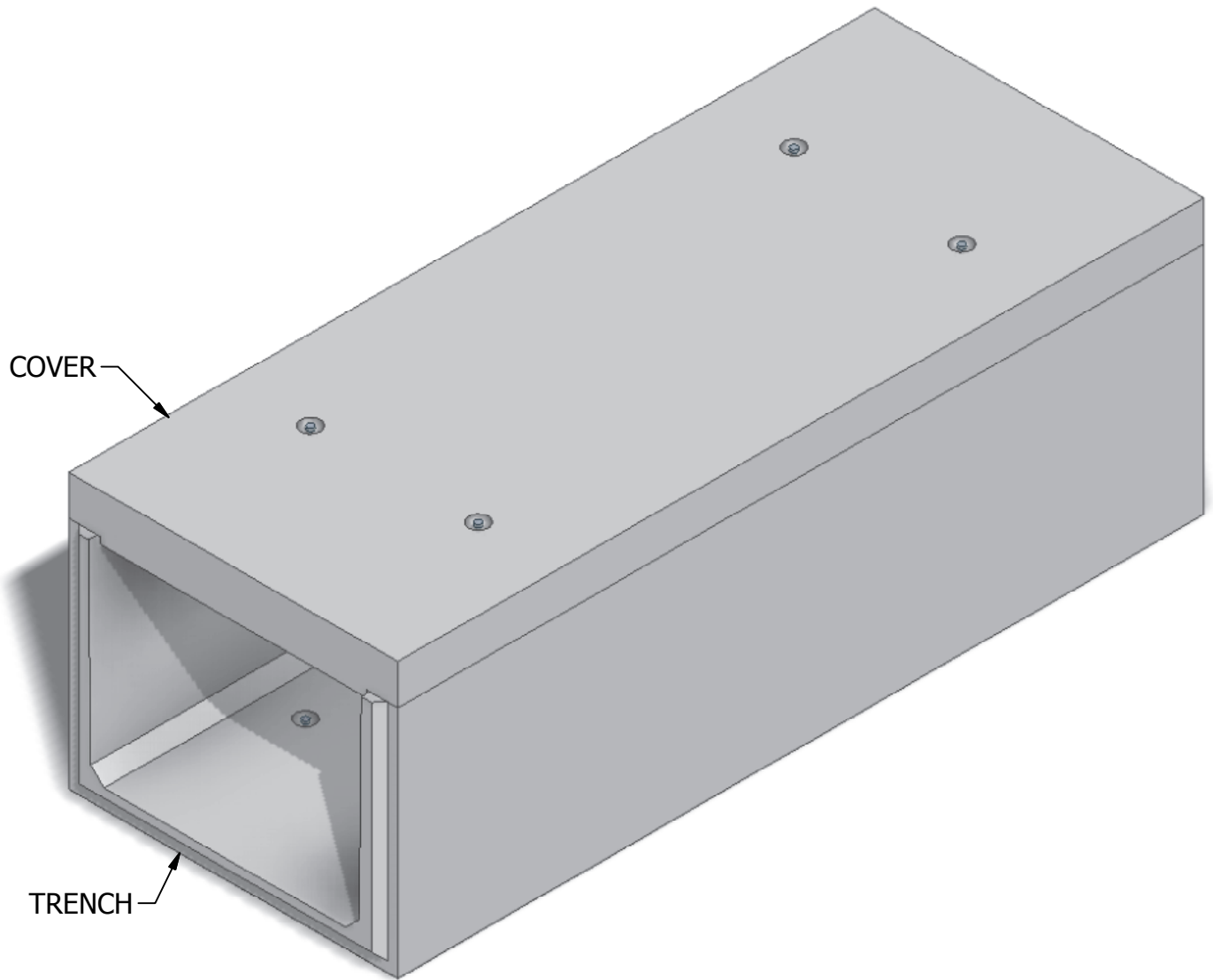


40 x 30 Precast Trench



INTERIOR DIMENSIONS:
3'-4"W x 2'-6"H

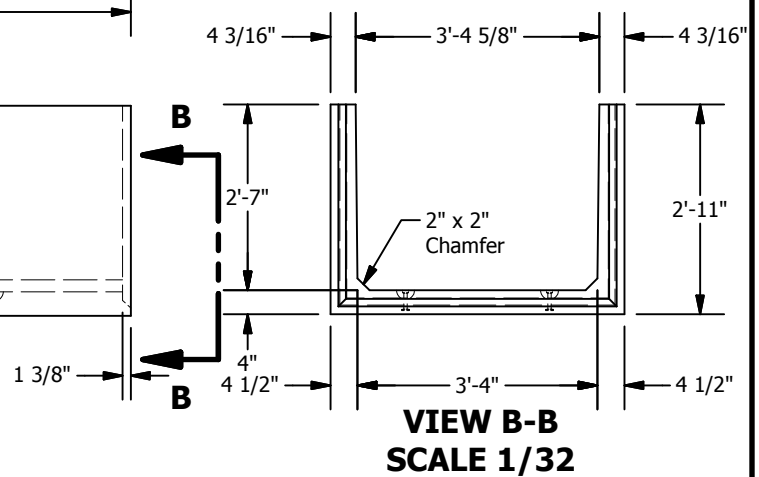
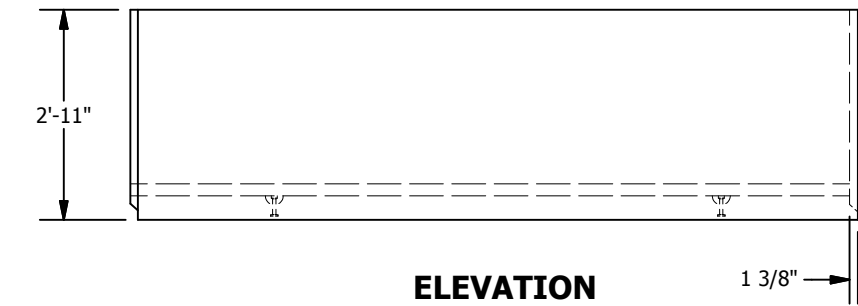
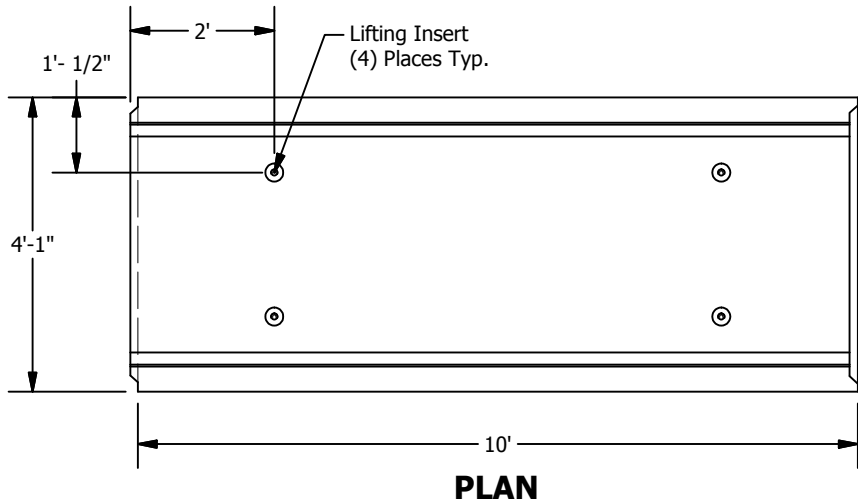
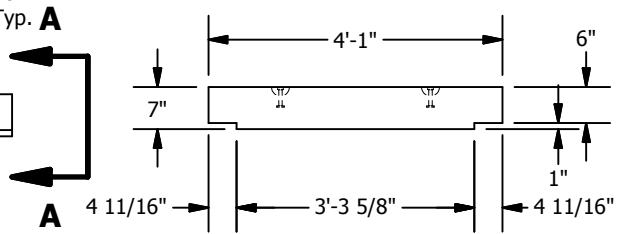
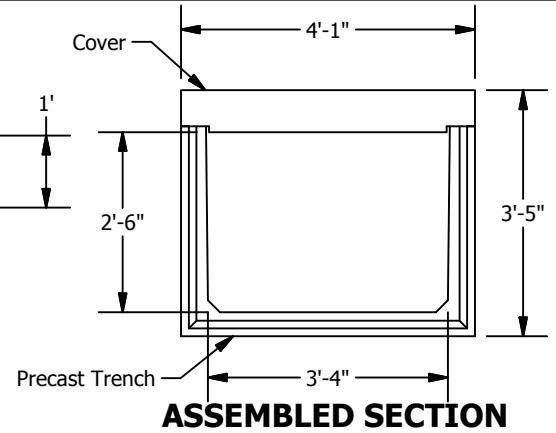
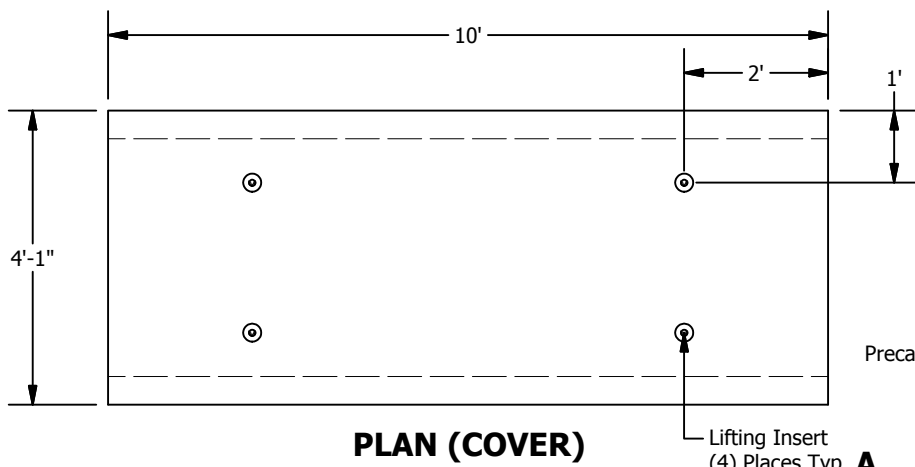
WEIGHTS:
COVER (3,478 lbs)
TRENCH (5,150 lbs)

© 2013 Granite Precasting & Concrete, Inc.



4116 BAKERVIEW SPUR, BELLINGHAM, WA 98226 - (360) 671-2251 - 1-800-808-2251 - FAX: (360) 671-0780

40 x 30 Precast Trench



© 2013 Granite Precasting & Concrete, Inc.

SPECIFICATIONS

- Concrete: Fc=4,000 psi @28 days
- Rebar: ASTM A-615 Grade 60
- Design: ASTM C-857 "Minimum Structural Design Loading for Underground Precast Concrete Utility Structures"
- Loads: AASHTO HS-20
- Backfill with granular free draining material (sand or pea gravel) free of stones or cobbles greater than 4" in dia.
- Items shown are subject to change without notice.