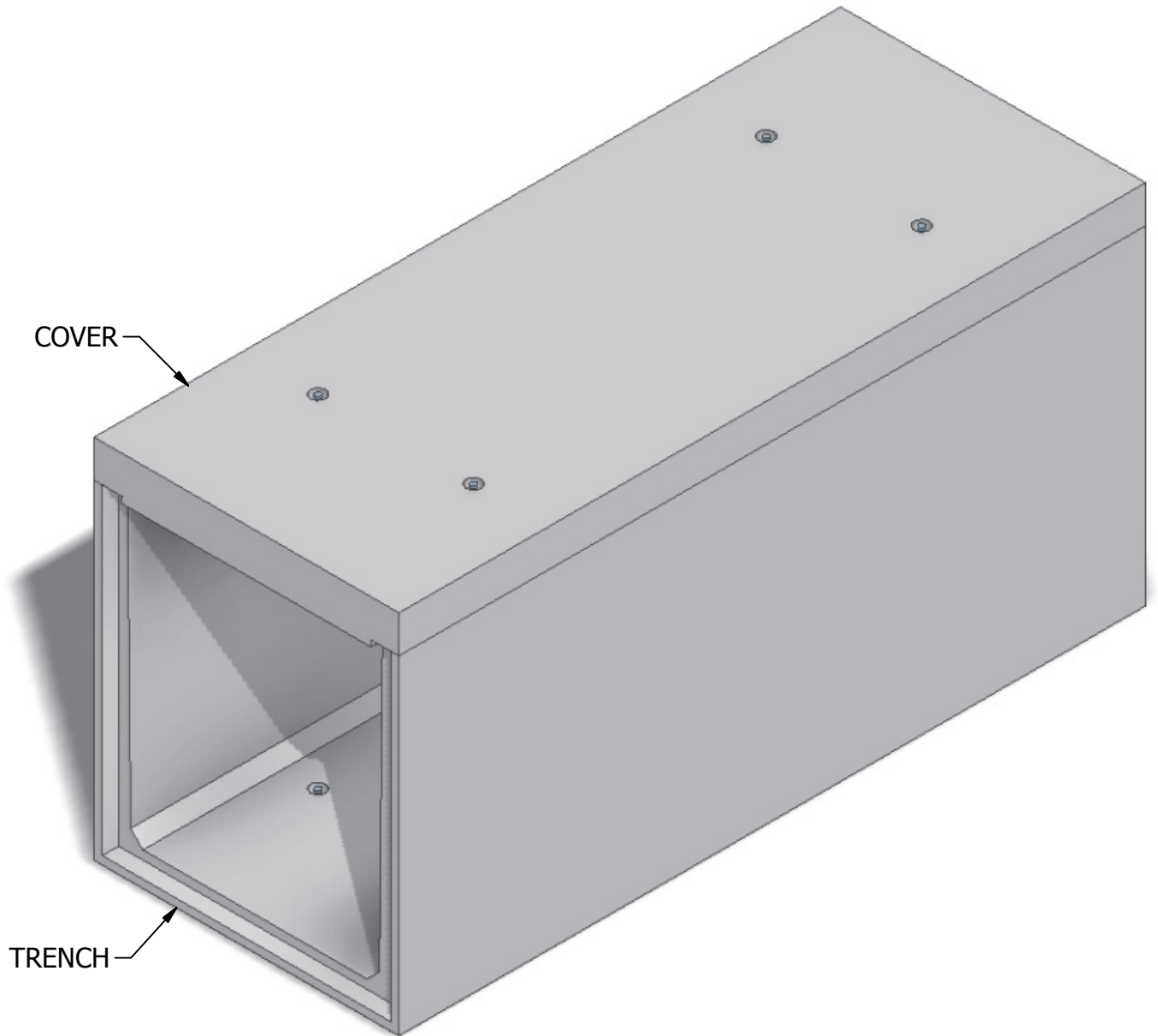


# 40 x 48 Precast Trench



INTERIOR DIMENSIONS:  
3'-4"W x 4'-0"H

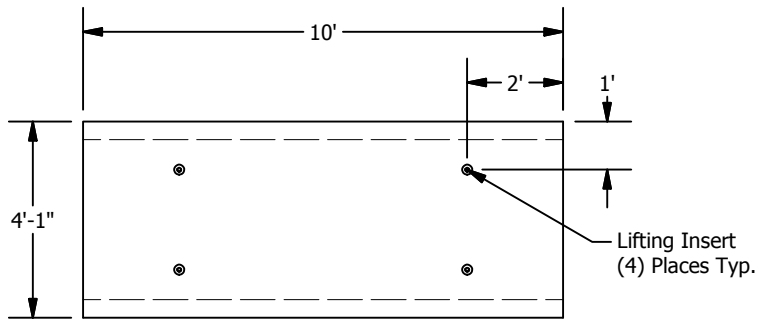
WEIGHTS:  
COVER (3,478 lbs)  
TRENCH (6,800 lbs)

© 2013 Granite Precasting & Concrete, Inc.



4116 BAKERVIEW SPUR, BELLINGHAM, WA 98226 - (360) 671-2251 - 1-800-808-2251 - FAX: (360) 671-0780

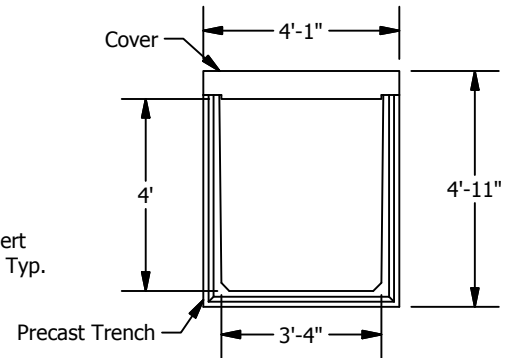
# 40 x 48 Precast Trench



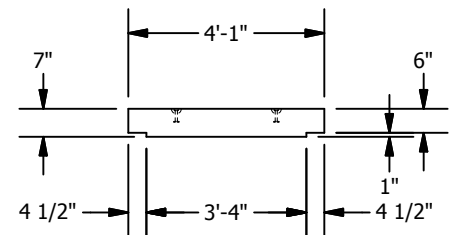
**PLAN (COVER)**



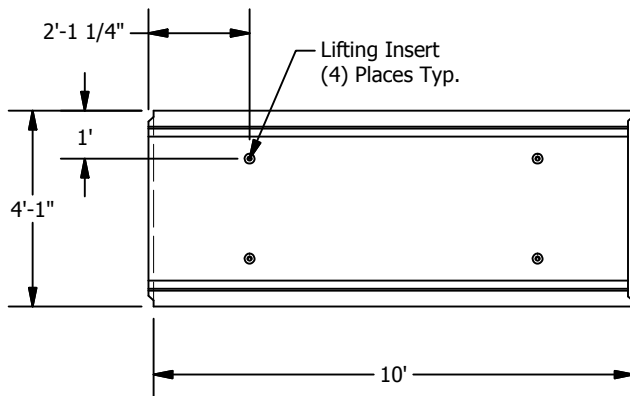
**ELEVATION (COVER)**



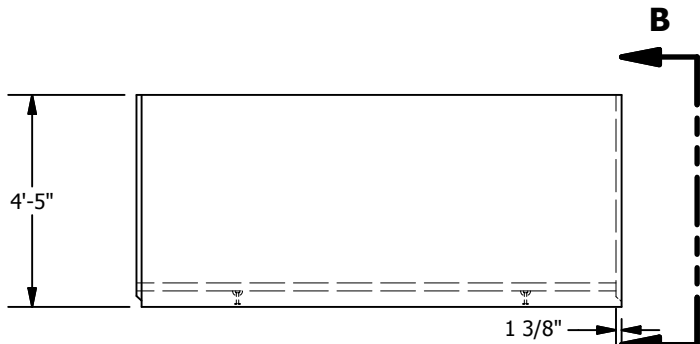
**ASSEMBLED SECTION**



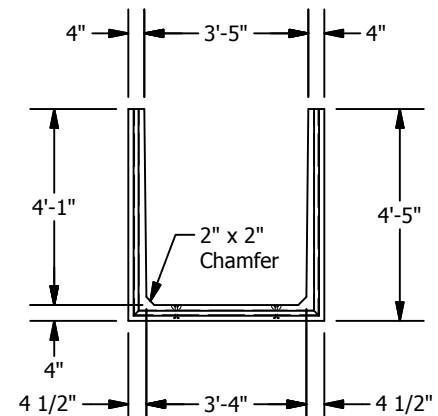
**VIEW A-A**  
**SCALE 1/48**



**PLAN**



**ELEVATION**



**VIEW B-B**  
**SCALE 1/48**

© 2013 Granite Precasting & Concrete, Inc.

**SPECIFICATIONS**

1. Concrete: Fc=4,000 psi @28 days
2. Rebar: ASTM A-615 Grade 60
3. Design: ASTM C-857 "Minimum Structural Design Loading for Underground Precast Concrete Utility Structures"
4. Loads: AASHTO HS-20
5. Backfill with granular free draining material (sand or pea gravel) free of stones or cobbles greater than 4" in dia.
6. Items shown are subject to change without notice.