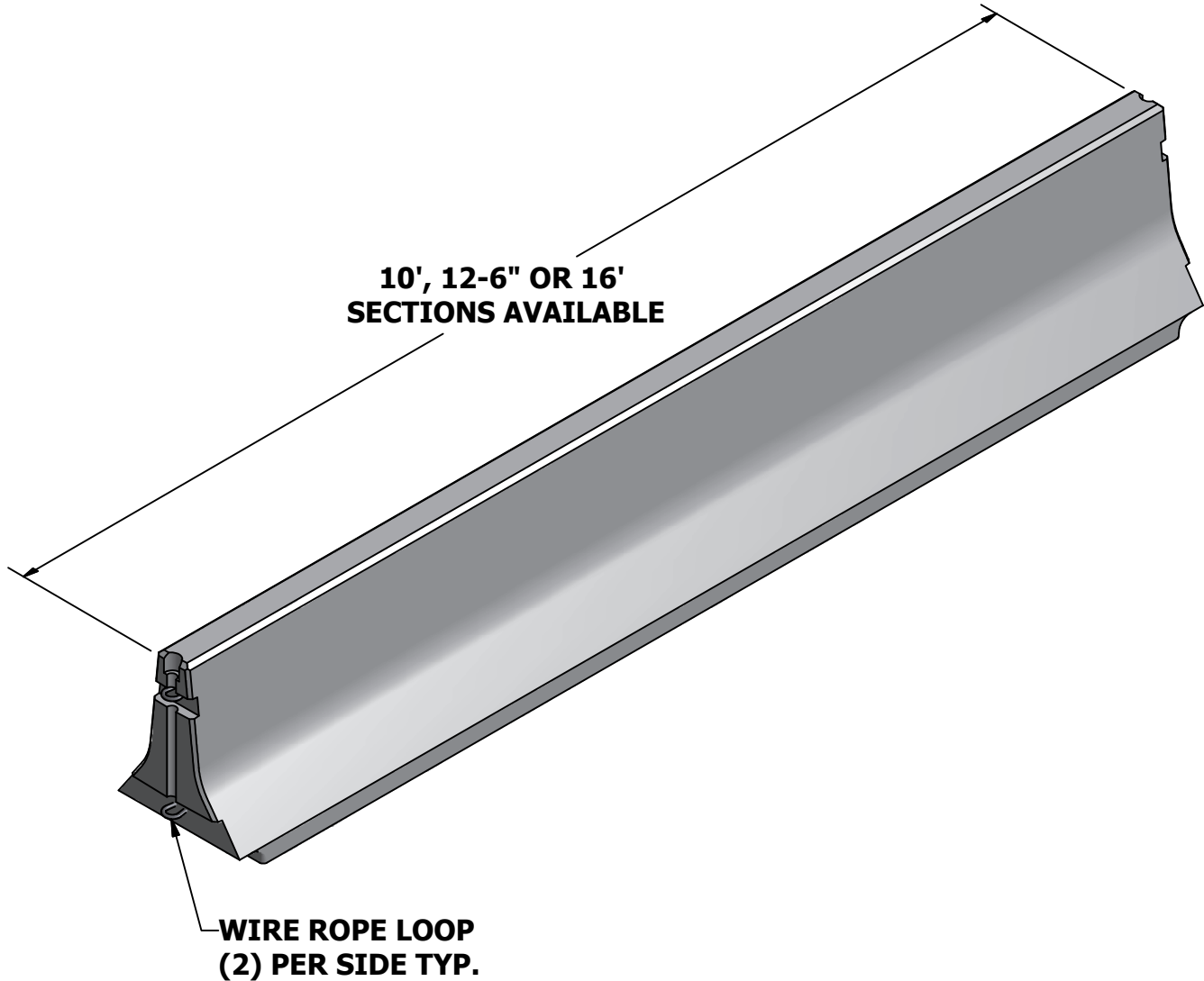


Type 2 Barrier

Meets or Exceeds:
WSDOT Std. Plan C-8



10' SECTION
3,740 lbs

12'-6" SECTION
4,700 lbs

16' SECTION
5,860 lbs

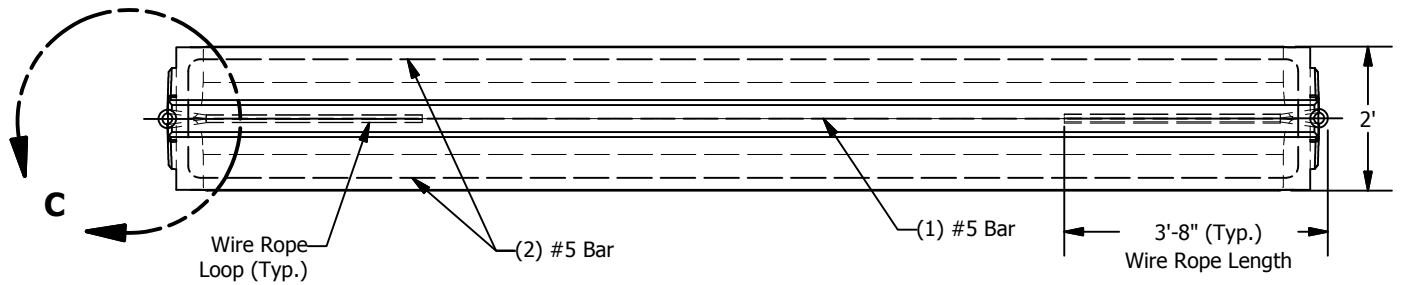
© 2013 Granite Precasting & Concrete, Inc.



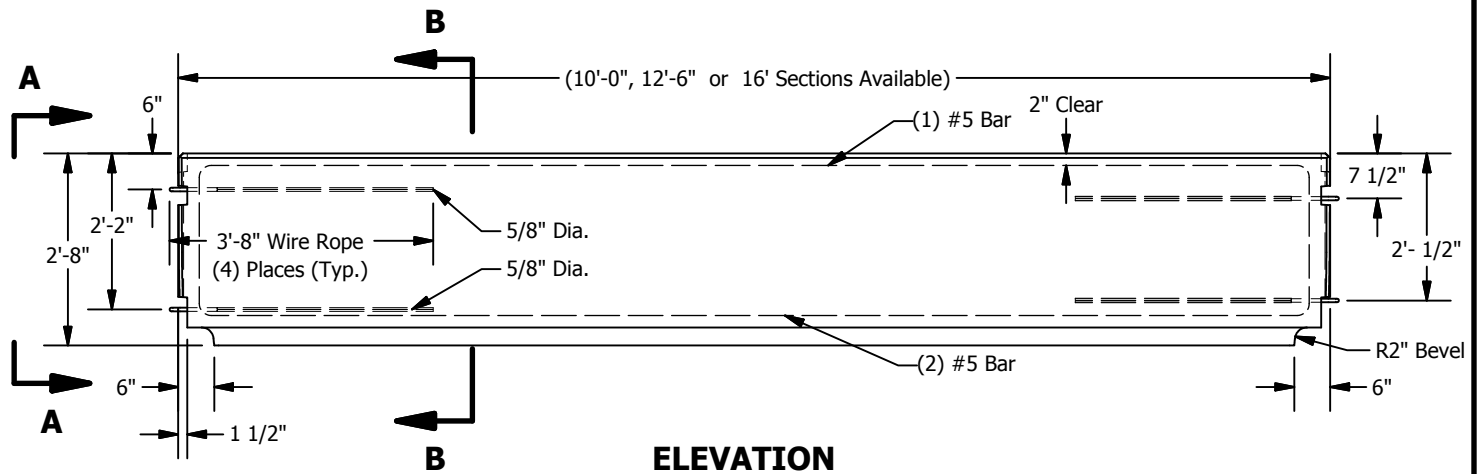
GRANITE™
PRECAST

4116 BAKERVIEW SPUR, BELLINGHAM, WA 98226 - (360) 671-2251 - 1-800-808-2251 - FAX: (360) 671-0780

Type 2 Barrier



PLAN



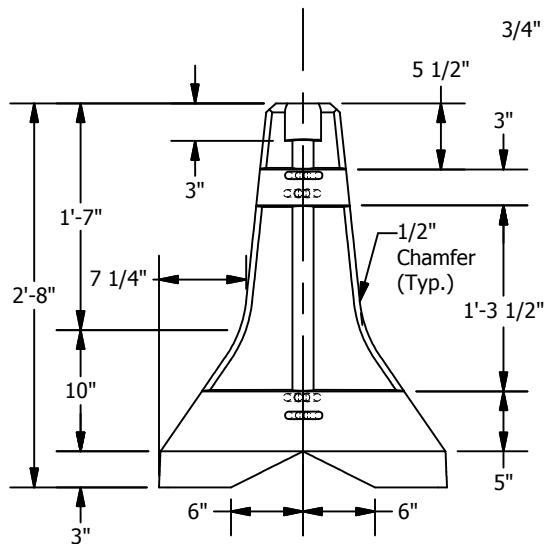
ELEVATION

CONCRETE:

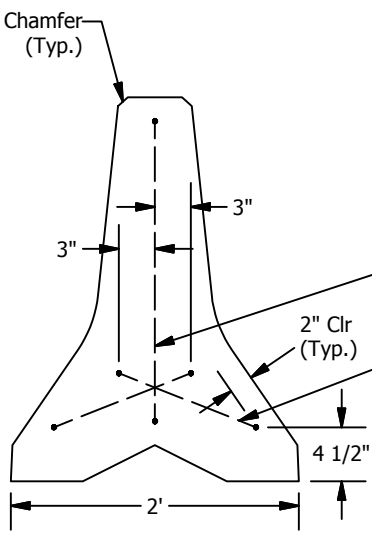
Fc = 4,000 psi @ 28 Days

REINFORCING STEEL:

Rebar: ASTM A-615 Grade 60

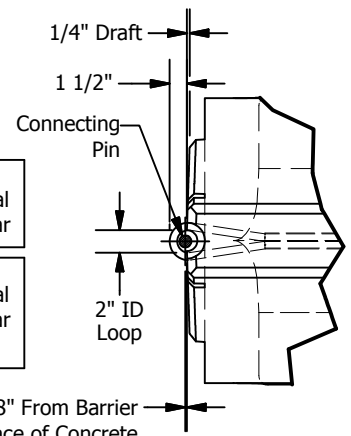


**VIEW A-A
SCALE 1/16**



**SECTION B-B
SCALE 1/16**

Barrier Section ① #5 Bar	Barrier Terminal ③ #5 Bar
Barrier Section ② #5 Bar	Barrier Terminal ④ #5 Bar



**DETAIL C
SCALE 1 / 16**

© 2013 Granite Precasting & Concrete, Inc.



GRANITETM
PRECAST

4116 BAKERVIEW SPUR, BELLINGHAM, WA 98226 - (360) 671-2251 - 1-800-808-2251 - FAX: (360) 671-0780