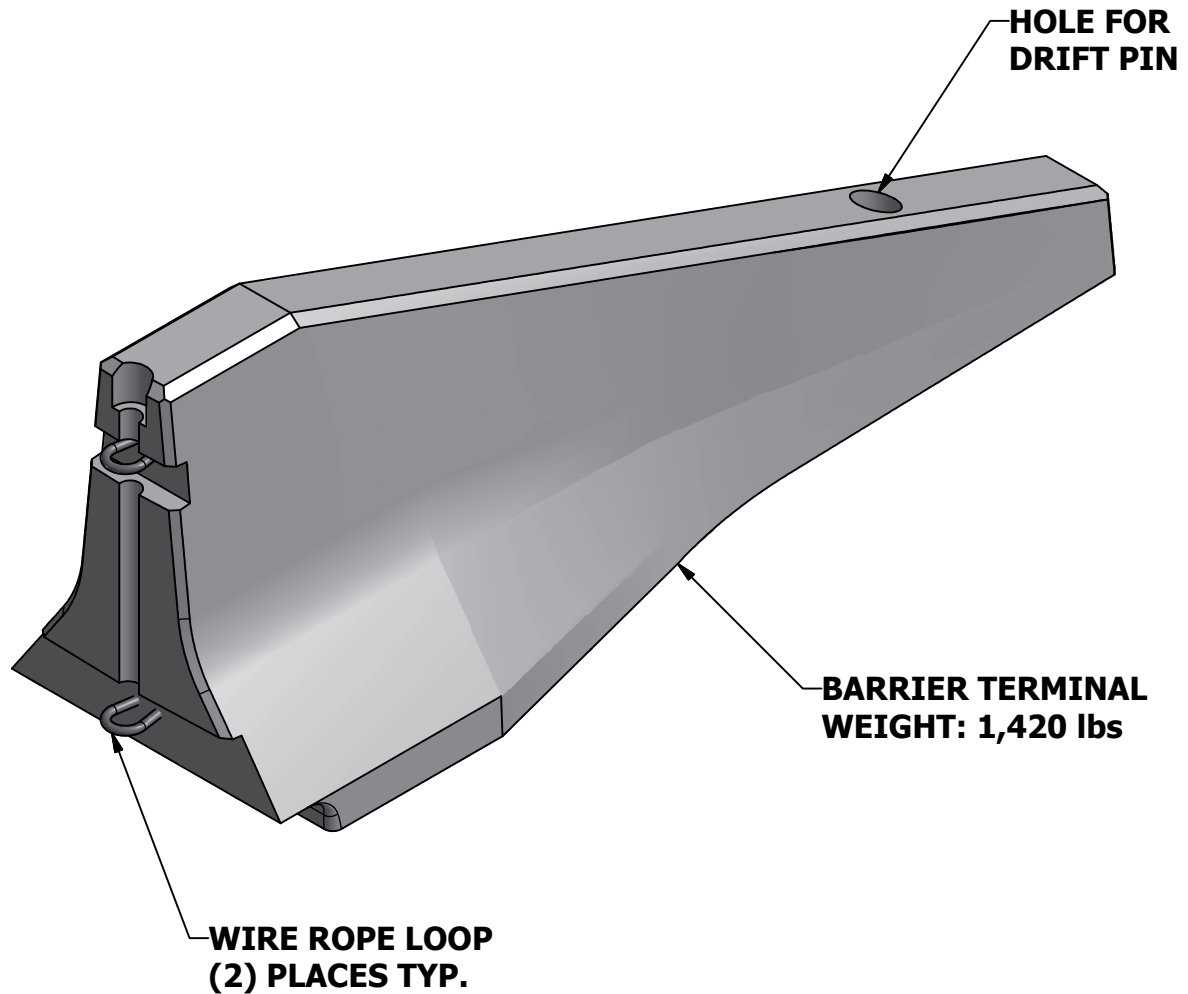


Type 2 Barrier Terminal A

Meets or Exceeds:
WSDOT Std. Plan C-8

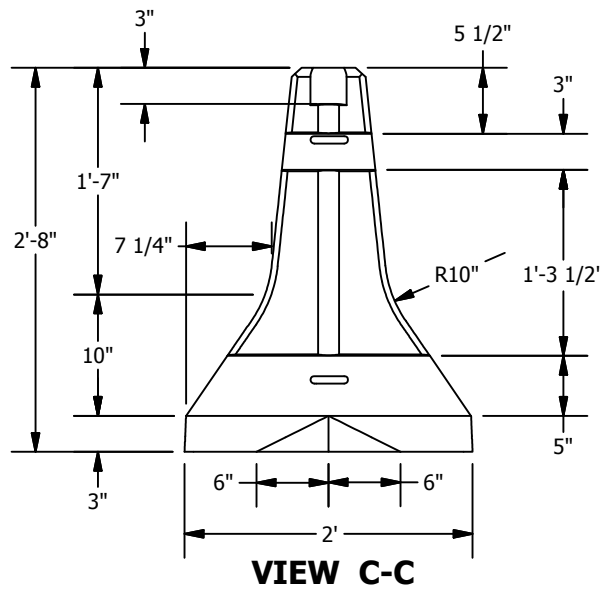
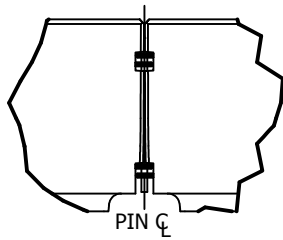
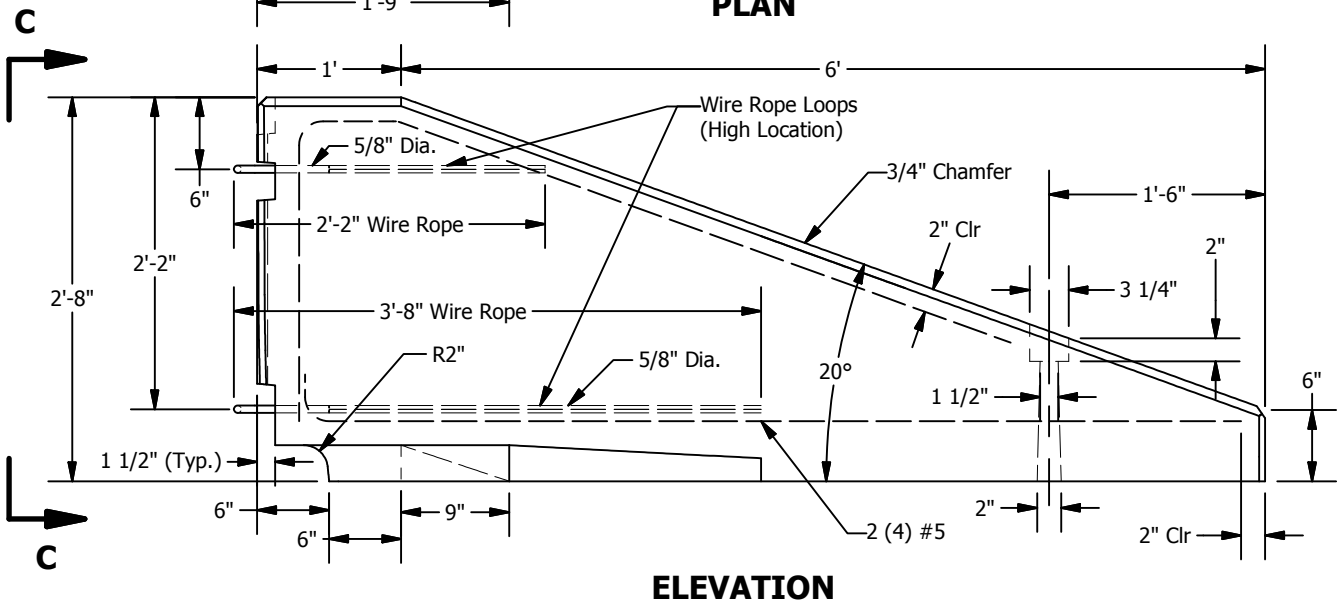
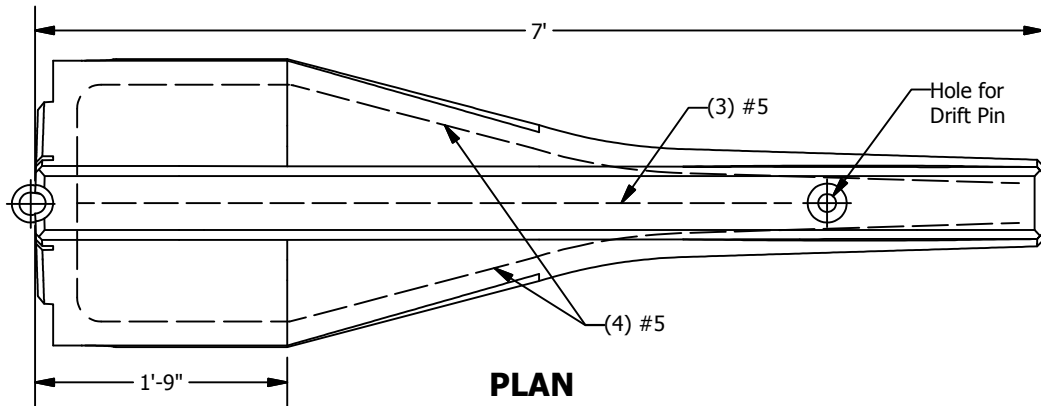


© 2013 Granite Precasting & Concrete, Inc.



4116 BAKERVIEW SPUR, BELLINGHAM, WA 98226 - (360) 671-2251 - 1-800-808-2251 - FAX: (360) 671-0780

Type 2 Barrier Terminal A



CONCRETE:
F_c = 4,000 psi @ 28 Days

REINFORCING STEEL:
Rebar: ASTM A-615 Grade 60

© 2013 Granite Precasting & Concrete, Inc.



GRANITETM
PRECAST

4116 BAKERVIEW SPUR, BELLINGHAM, WA 98226 - (360) 671-2251 - 1-800-808-2251 - FAX: (360) 671-0780