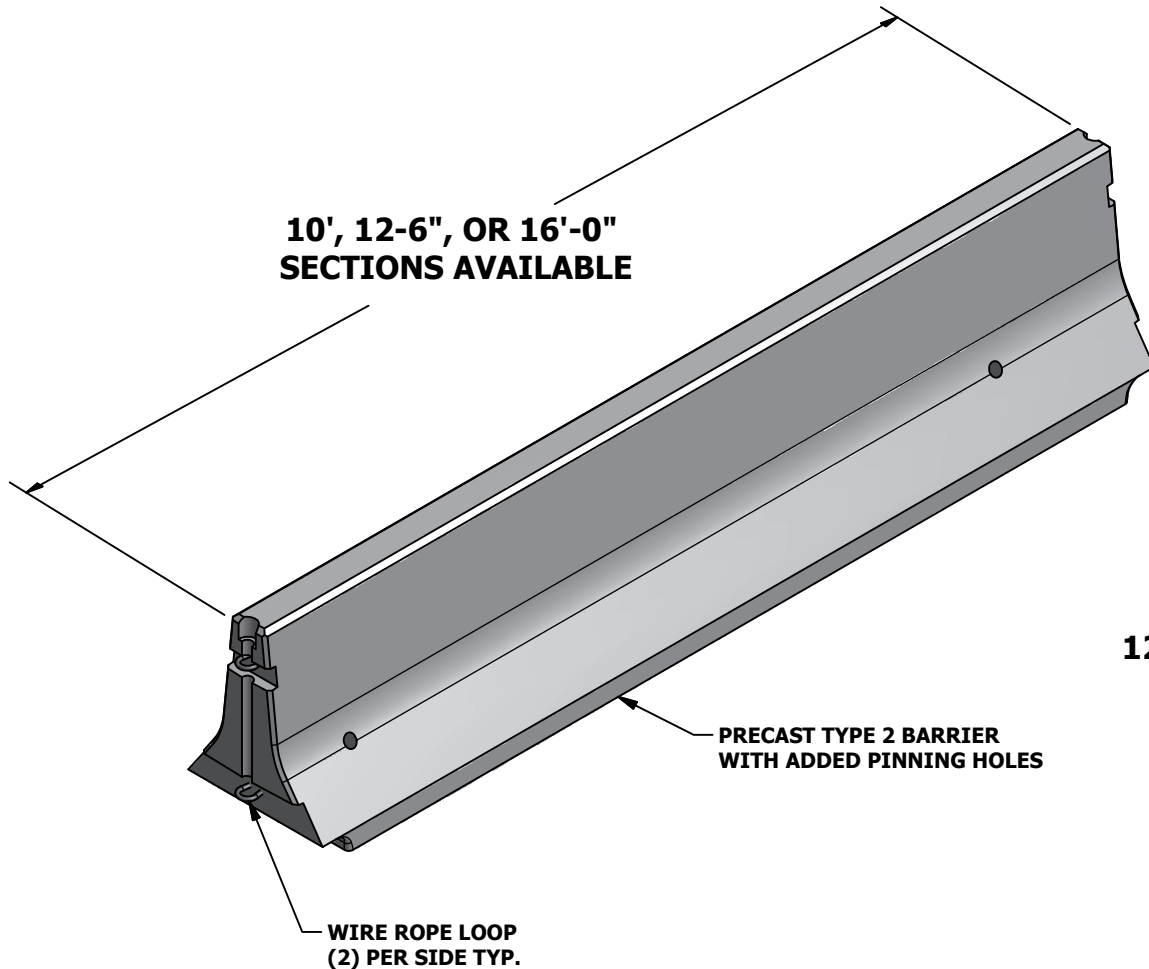


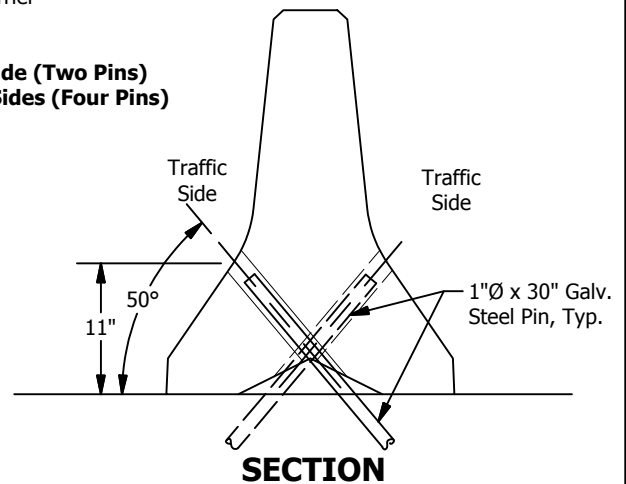
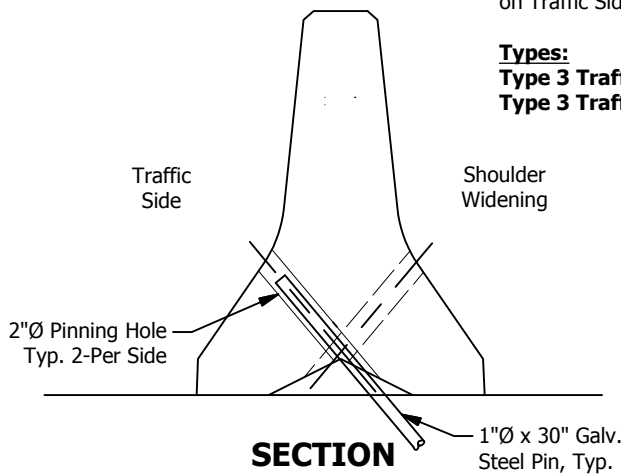
Type 3 Barrier

Meets or Exceeds:
WSDOT Std. Plan C-8e



Note: Pinning Holes (Typ.) - Only Required on Traffic Side(s) of Barrier

Types:
Type 3 Traffic One Side (Two Pins)
Type 3 Traffic Both Sides (Four Pins)



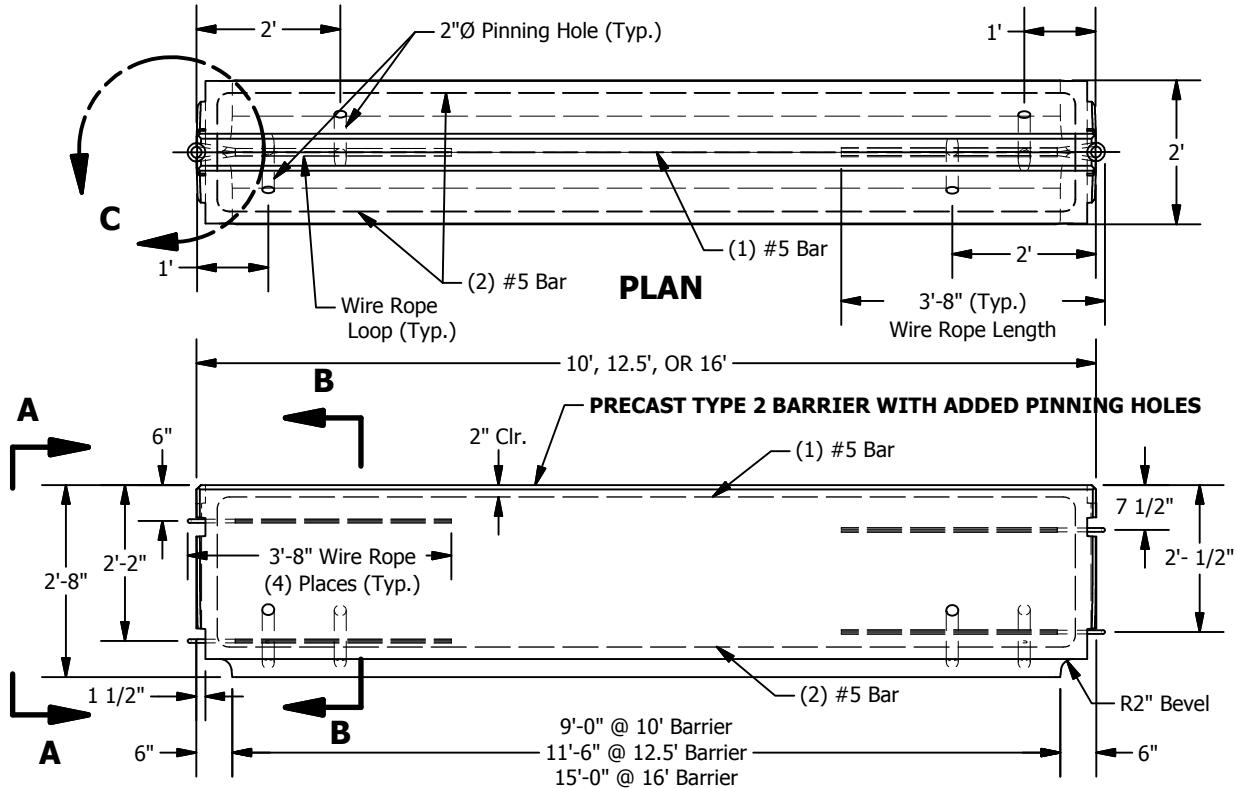
© 2013 Granite Precasting & Concrete, Inc.



4116 BAKERVIEW SPUR, BELLINGHAM, WA 98226 - (360) 671-2251 - 1-800-808-2251 - FAX: (360) 671-0780

Type 3 Barrier

Meets or Exceeds:
WSDOT Std. Plan C-8e



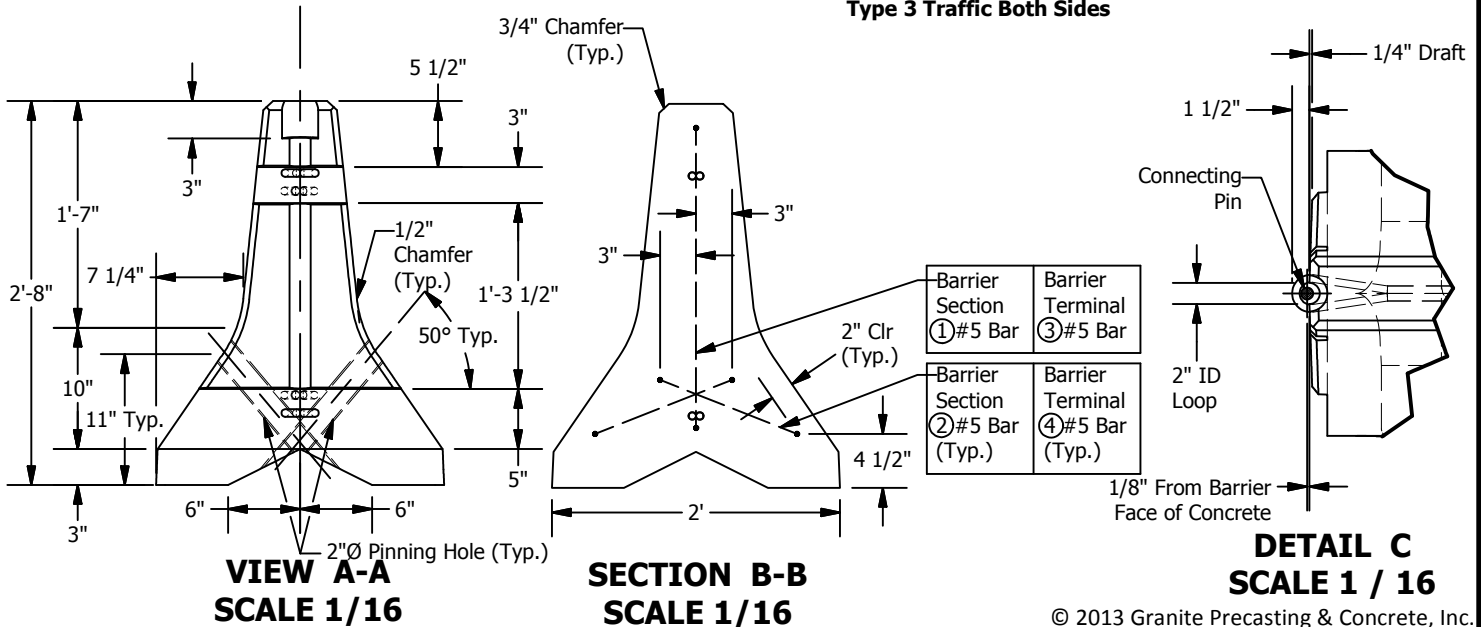
ELEVATION

Concrete:
F_c = 4,000 psi @ 28 Days

Reinforcement:
ASTM A-615 Grade 60

Note: Pinning Holes (Typ.) - Only Required on Traffic Side(s) of Barrier

Types:
Type 3 Traffic One Side
Type 3 Traffic Both Sides



© 2013 Granite Precasting & Concrete, Inc.



GRANITETM

PRECAST

4116 BAKERVIEW SPUR, BELLINGHAM, WA 98226 - (360) 671-2251 - 1-800-808-2251 - FAX: (360) 671-0780