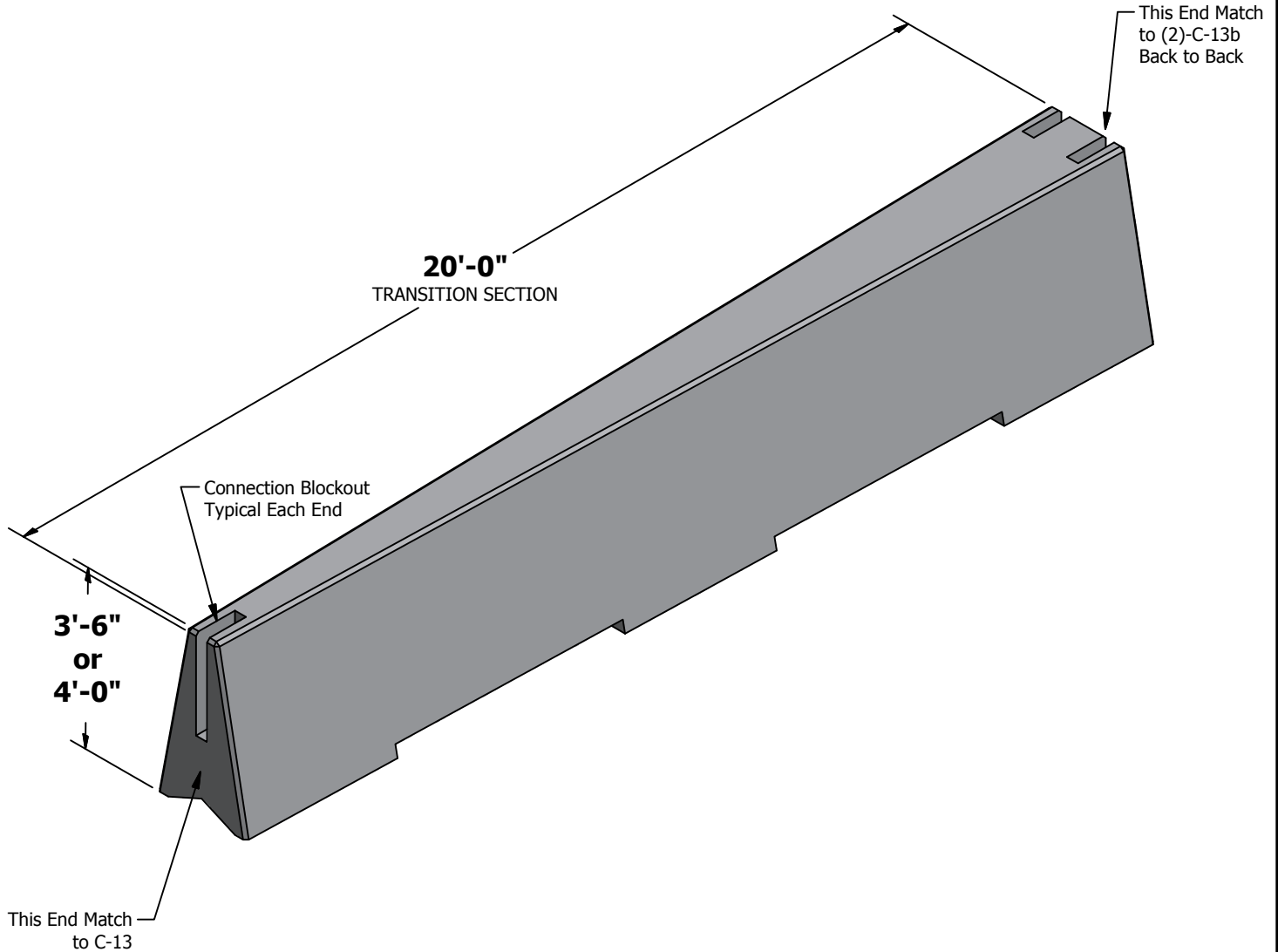


Type C-13a Barrier

Meets or Exceeds:
WSDOT Std. Plan C-13a



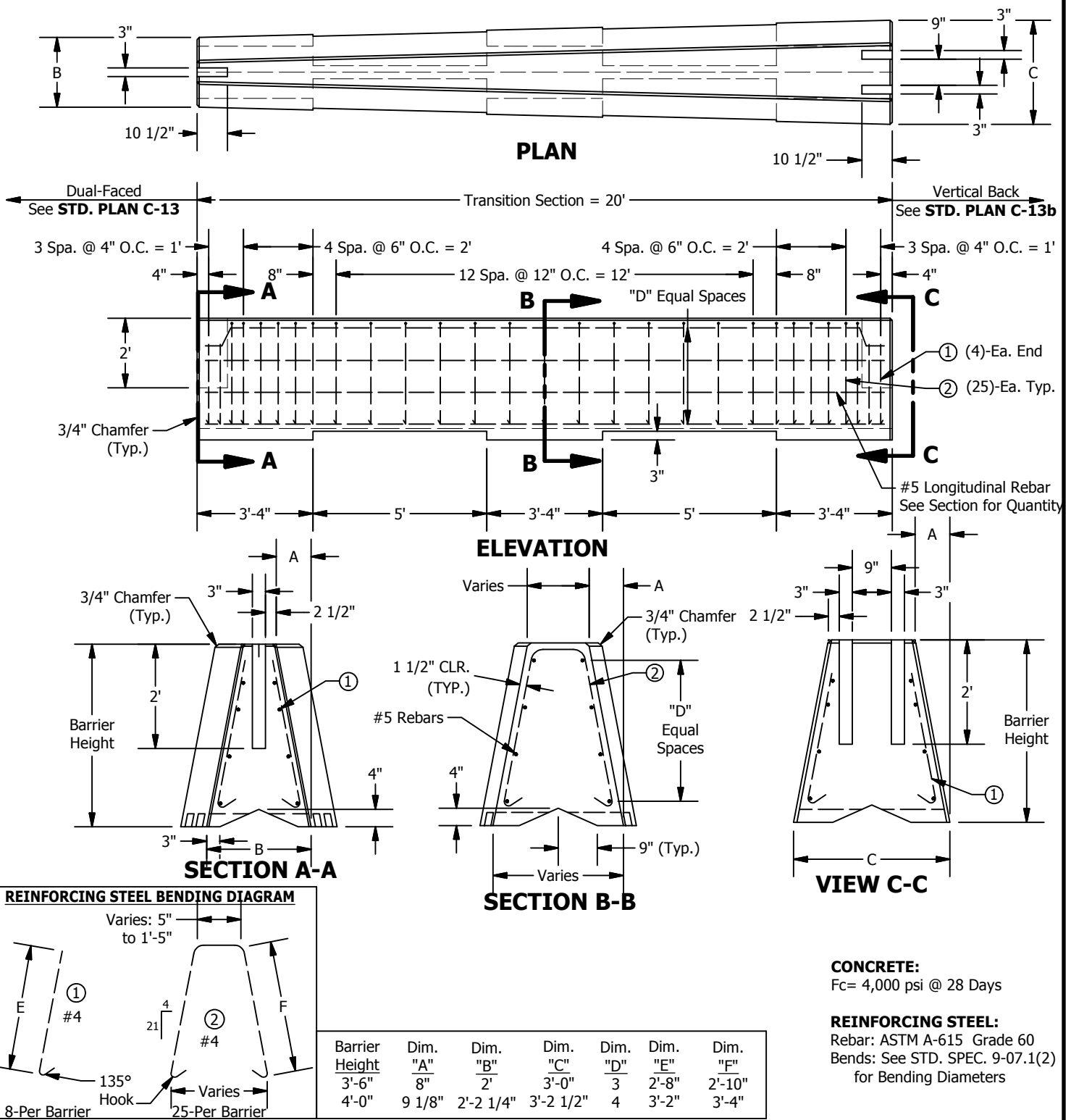
20'-0" SECTION
18,400 lbs for 3'-6" Height
22,300 lbs for 4'-0" Height

© 2013 Granite Precasting & Concrete, Inc.



4116 BAKERVIEW SPUR, BELLINGHAM, WA 98226 - (360) 671-2251 - 1-800-808-2251 - FAX: (360) 671-0780

Type C-13a Barrier



© 2013 Granite Precasting & Concrete, Inc.



4116 BAKERVIEW SPUR, BELLINGHAM, WA 98226 - (360) 671-2251 - 1-800-808-2251 - FAX: (360) 671-0780