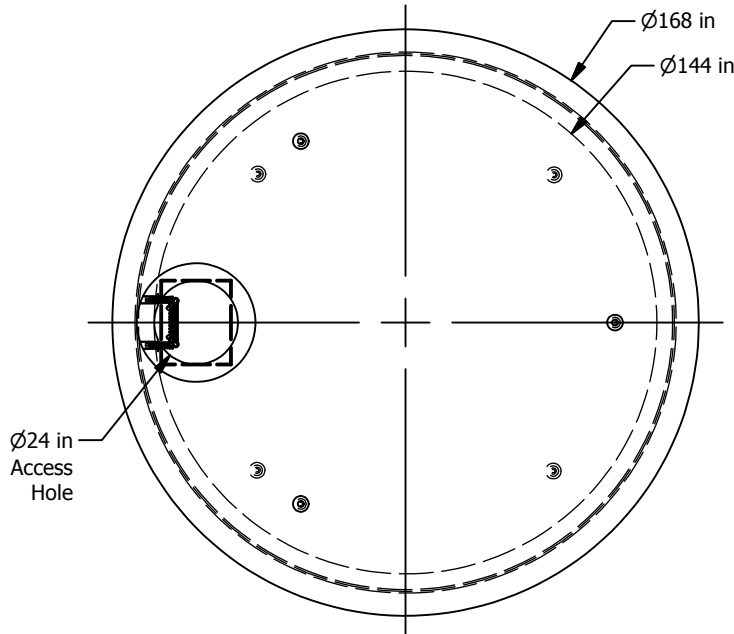


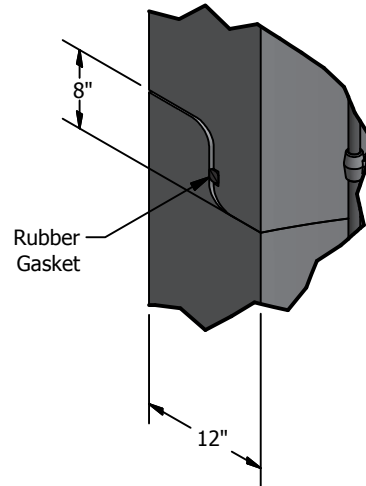
144" Type 2 Catch Basin

Meets or Exceeds WSDOT Std Plan B-10.20-01
 Manholes Constructed in Accordance With ASTM C-478
 Rubber Gasket Conforms to ASTM C-443
 Polypropylene MH Steps Conform to ASTM C-478

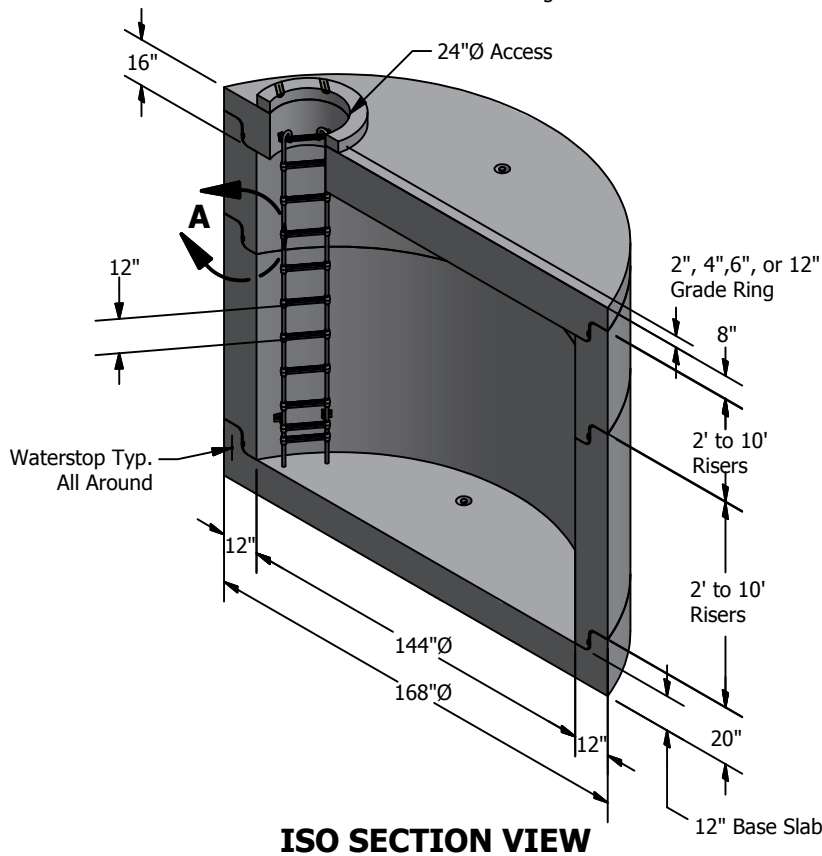


TOP SLAB

24" Diameter Round or 20" x 24" Rectangular Hole



DETAIL A
SCALE 1/16



ISO SECTION VIEW

WEIGHTS:

- TOP SLAB: 16" - 30,000 lbs
- RISER: - 6,200 lbs/ft
- BASE SLAB: 12" - 25,300 lbs

CONCRETE:

Fc = 4,000 psi @ 28 Days

REINFORCING STEEL:

- Welded Wire Fabric: ASTM A497
- Rebar: ASTM A615 Grade 60
- Top Slab: 0.20 Sq in./ft. e.w. min. Top Mat
 0.66 Sq in./ft. e.w. min. Bottom Mat
- Riser: 0.36 Sq in./ft. e.w. min.
- Base Slab: 0.72 Sq in./ft. e.w. min.

PIPE PENETRATIONS:

- Maximum Hole Size: 108"
- Minimum Distance Hole to Hole: 12"
- Holes Cored to Plan Specifications
- Kor-N-Seal Connections Available

SITE PENETRATIONS:

- Contractor to Establish Level Grade
- Prior to Setting Base Piece at a
- Tolerance of 1/4" to 3/8"

© 2013 Granite Precasting & Concrete, Inc.



4116 BAKERVIEW SPUR, BELLINGHAM, WA 98226 - (360) 671-2251 - 1-800-808-2251 - FAX: (360) 671-0780