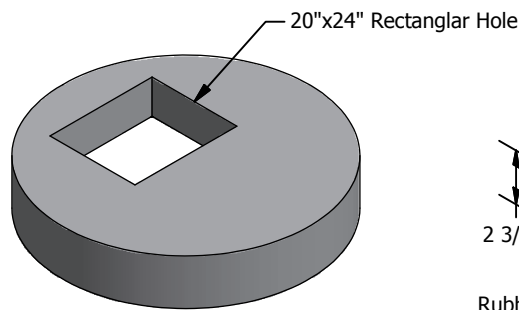
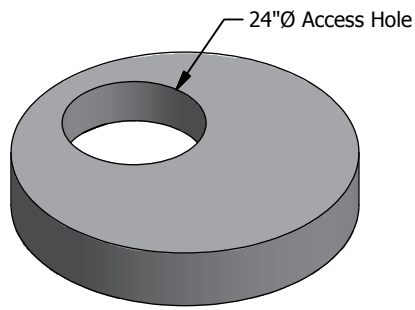


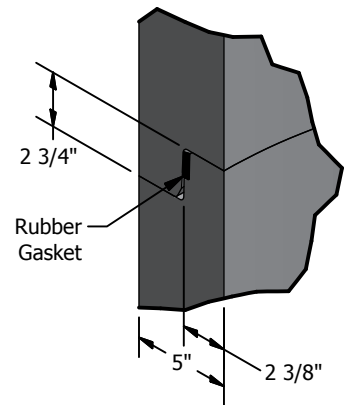
48" Type 2 Catch Basin

Meets or Exceeds WSDOT Std Plan B-10.20-01
 Catch Basin Constructed in Accordance With ASTM C-478
 Rubber Gasket Conforms to ASTM C-443
 Polypropylene MH Steps Conform to ASTM C-478

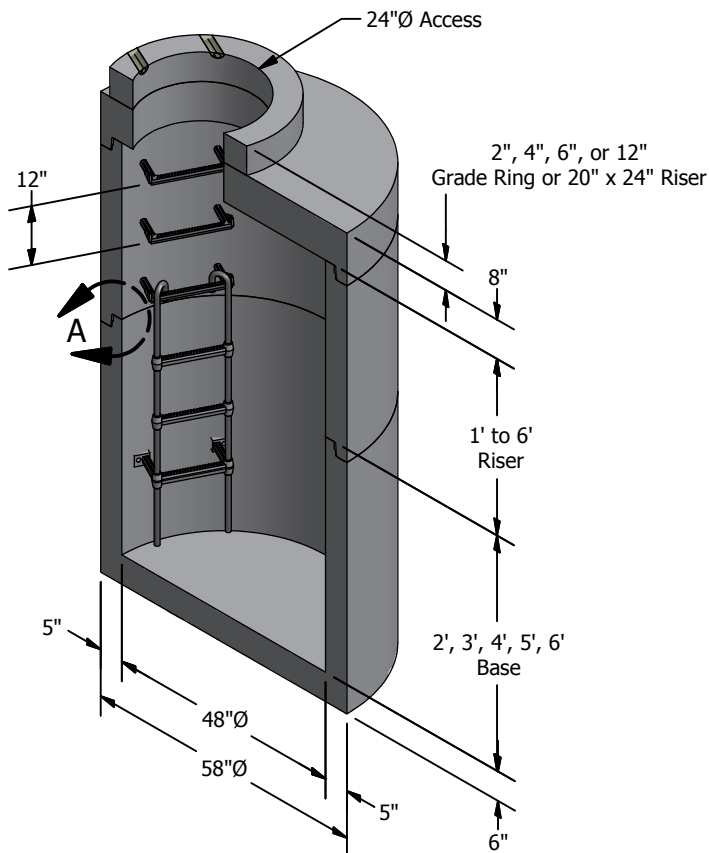


PLAN TOP SLAB

24" Diameter Round or 20" x 24" Rectangular Hole



JOINT DETAIL A SCALE 1/8



ISO SECTION VIEW

WEIGHTS:

TOP SLAB:	8" - 1,580 lbs
RISER:	1' - 950 lbs
	2' - 1,800 lbs
	3' - 2,700 lbs
	4' - 3,540 lbs
	5' - 4,500 lbs
	6' - 5,400 lbs
BASE:	2' - 3,600 lbs
	3' - 4,400 lbs
	4' - 4,840 lbs
	5' - 6,300 lbs
	6' - 6,740 lbs

CONCRETE:

F_c = 4,000 psi @ 28 Days

REINFORCING STEEL:

Welded Wire Fabric: ASTM A497

Rebar: ASTM A615 Grade 60

Top Slab: 0.40 Sq in./lin ft. min.

Riser: FORTA-FERRO, 4#/CY Dosage Rate

Base w/ Integral Riser: FORTA-FERRO, 4#/CY Dosage Rate

PIPE PENETRATIONS:

Maximum Hole Size: 36"

Minimum Distance Hole to Hole: 8"

Holes Cored to Plan Specifications

Kor-N-Seal Connections Available

SITE PENETRATIONS:

Contractor to Establish Level Grade

Prior to Setting Base Piece at a

Tolerance of 1/4" to 3/8"

© 2013 Granite Precasting & Concrete, Inc.



4116 BAKERVIEW SPUR, BELLINGHAM, WA 98226 - (360) 671-2251 - 1-800-808-2251 - FAX: (360) 671-0780