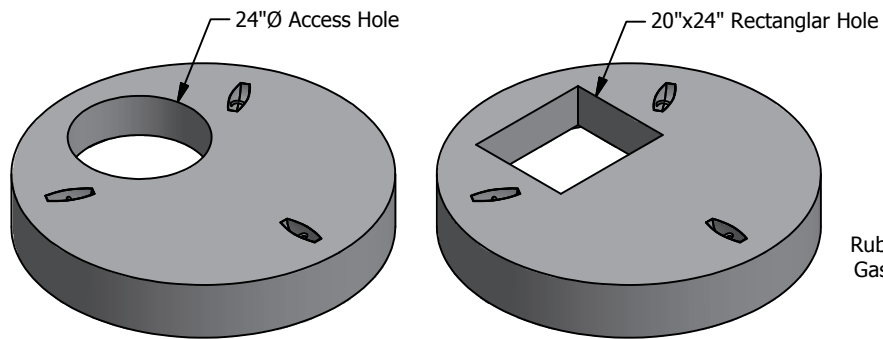


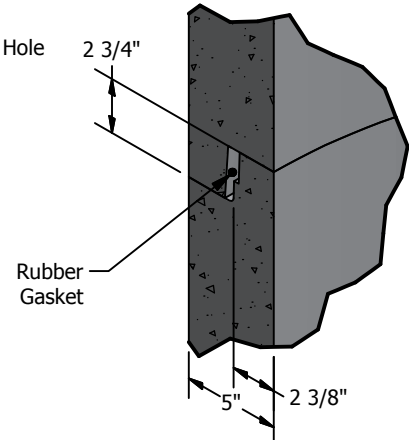
54" Type 2 Catch Basin

Meets or Exceeds WSDOT Std Plan B-10.20-01
 Manholes Constructed in Accordance With ASTM C-478
 Rubber Gasket Conforms to ASTM C-443
 Polypropylene MH Steps Conform to ASTM C-478

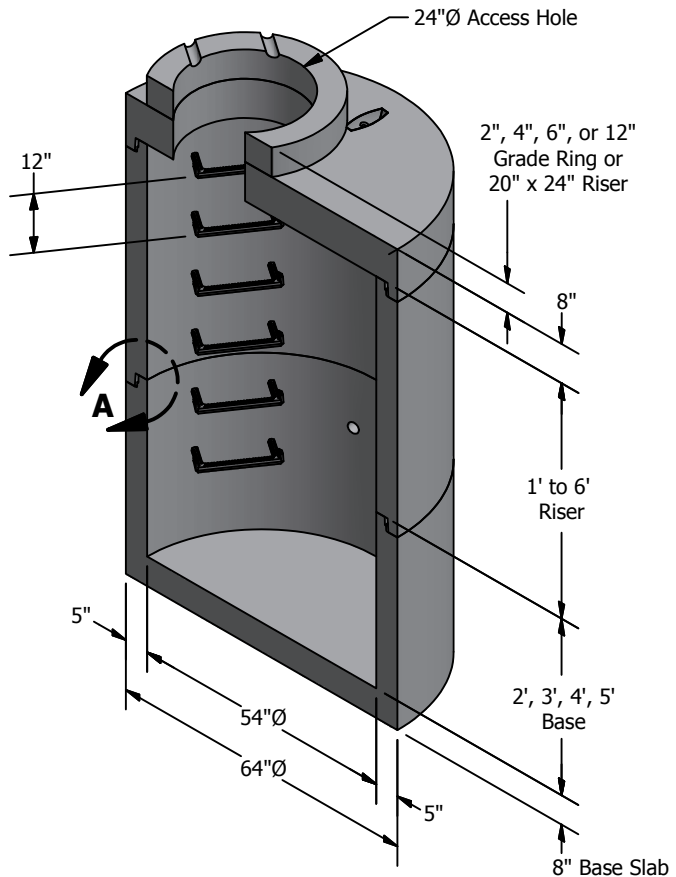


TOP SLAB

24" Diameter Round or 20" x 24" Rectangular Hole



DETAIL A
SCALE 1/8



ISO SECTION VIEW

WEIGHTS:

TOP SLAB:	8' - 1,940 lbs
RISER:	1' - 960 lbs
	2' - 1,900 lbs
	3' - 2,900 lbs
	4' - 3,800 lbs
	5' - 4,700 lbs
	6' - 5,800 lbs
BASE:	2' - 4,060 lbs
	3' - 4,960 lbs
	4' - 5,860 lbs
	5' - 6,760 lbs
BASE SLAB:	8' - 2,560 lbs

CONCRETE:

Fc= 4,000 psi @ 28 Days

REINFORCING STEEL:

Welded Wire Fabric: ASTM A497
 Rebar: ASTM A615 Grade 60
 Top Slab: 0.40 Sq. in./ft. e.w. Min.
 Base Wall & Riser: 0.15 Sq in./ft. e.w. min.
 Base Floor & Base Slab: 0.23 Sq in./ft. e.w. min.

PIPE PENETRATIONS:

Maximum Hole Size: 42"
 Minimum Distance Hole to Hole: 8"
 Holes Cored to Plan Specifications
 Kor-N-Seal Connections Available
 Standard Knockouts Available

SITE PENETRATIONS:

Contractor to Establish Level Grade
 Prior to Setting Base Piece at a
 Tolerance of 1/4" to 3/8"

© 2013 Granite Precasting & Concrete, Inc.



4116 BAKERVIEW SPUR, BELLINGHAM, WA 98226 - (360) 671-2251 - 1-800-808-2251 - FAX: (360) 671-0780