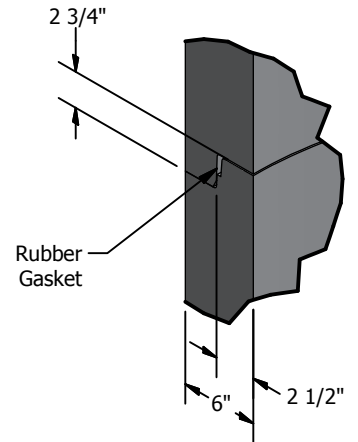
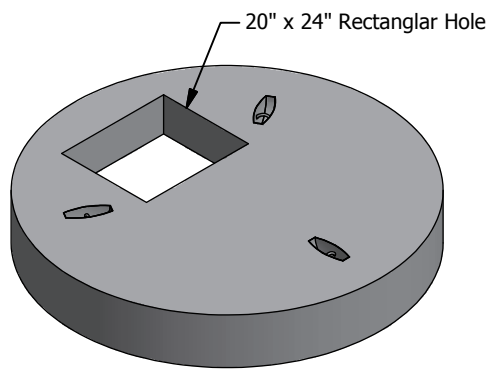
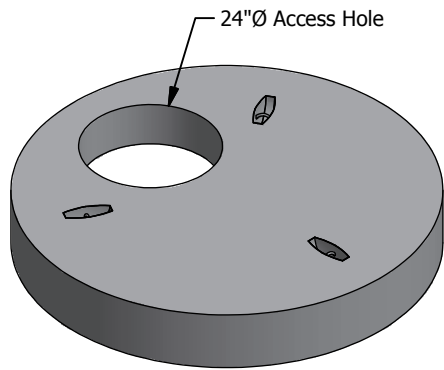


# 60" Type 2 Catch Basin

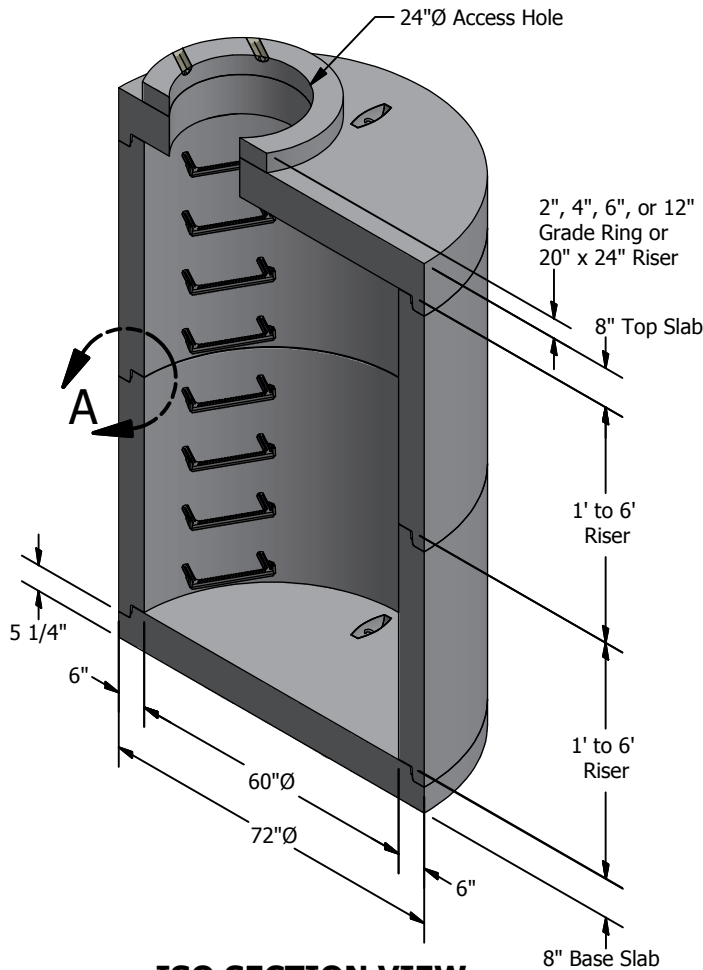
Meets or Exceeds WSDOT Std Plan B-10.20-01  
 Manholes Constructed in Accordance With ASTM C-478  
 Rubber Gasket Conforms to ASTM C-443  
 Polypropylene MH Steps Conform to ASTM C-478



## TOP SLAB

24" Diameter Round or 20" x 24" Rectangular Hole

## JOINT DETAIL A SCALE 1/12



## ISO SECTION VIEW

### WEIGHTS:

TOP SLAB:	8" - 2,620 lbs
RISER:	1' - 1,300 lbs
	2' - 2,600 lbs
	3' - 3,900 lbs
	4' - 5,200 lbs
	5' - 6,500 lbs
	6' - 7,800 lbs
BASE SLAB:	8" - 2,980 lbs

### CONCRETE:

Fc= 4,000 psi @ 28 Days

### REINFORCING STEEL:

Welded Wire Fabric: ASTM A497  
 Rebar: ASTM A615 Grade 60  
 Top Slab: 0.40 Sq in./ft. e.w. min.  
 Riser: 0.15 Sq in./ft. e.w. min.  
 Base Slab: 0.25 Sq in./ft. e.w. min.

### PIPE PENETRATIONS:

Maximum Hole Size: 48"  
 Minimum Distance Hole to Hole: 8"  
 Holes Cored to Plan Specifications  
 Kor-N-Seal Connections Available  
 Standard Knockouts Available

### SITE PENETRATIONS:

Contractor to Establish Level Grade  
 Prior to Setting Base Piece at a  
 Tolerance of 1/4" to 3/8"

© 2013 Granite Precasting & Concrete, Inc.



4116 BAKERVIEW SPUR, BELLINGHAM, WA 98226 - (360) 671-2251 - 1-800-808-2251 - FAX: (360) 671-0780