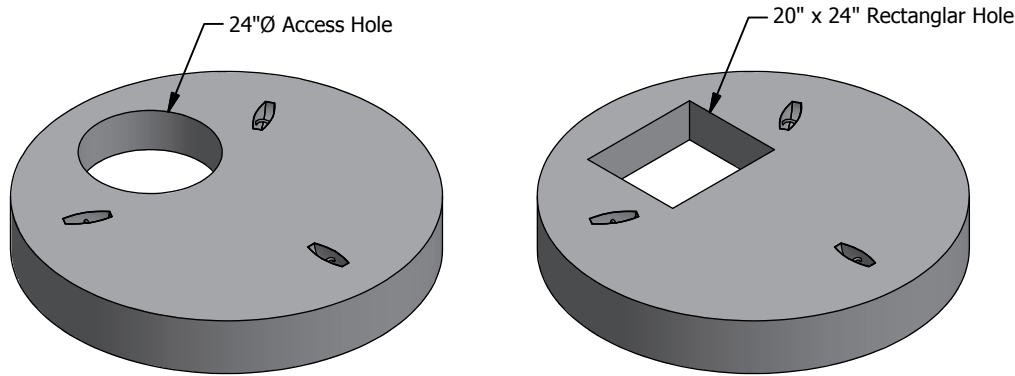


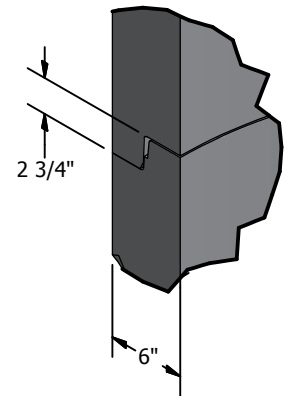
# 60" Type 2 Catch Basin w/ Knockouts

Meets or Exceeds WSDOT Std Plan B-10.20-01  
Manholes Constructed in Accordance With ASTM C-478  
Rubber Gasket Conforms to ASTM C-443  
Polypropylene MH Steps Conform to ASTM C-478

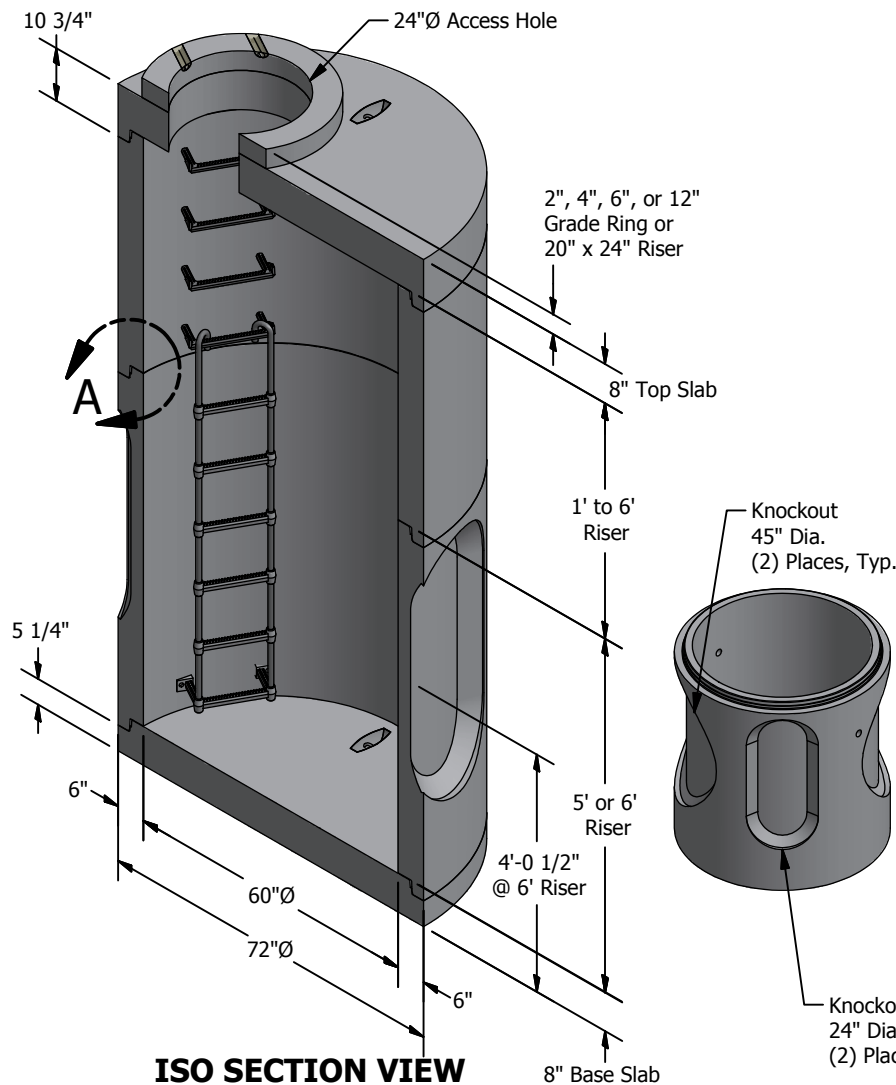


## TOP SLAB

24" Diameter Round or 20" x 24" Rectangular Hole



## JOINT DETAIL A SCALE 1/12



## ISO SECTION VIEW

### WEIGHTS:

TOP SLAB:	8" - 2,620 lbs
RISER:	1' - 1,300 lbs
	2' - 2,600 lbs
	3' - 3,900 lbs
	4' - 5,200 lbs
	5' - 6,500 lbs
	6' - 7,800 lbs
BASE with 5' Knockout:	- 5,400 lbs
BASE with 6' Knockout:	- 6,700 lbs
BASE SLAB:	8" - 2,980 lbs

### CONCRETE:

Fc= 4,000 psi @ 28 Days

### REINFORCING STEEL:

Welded Wire Fabric: ASTM A497  
Rebar: ASTM A615 Grade 60  
Top Slab: 0.40 Sq. in./ft. e.w. Min.  
Base Wall & Riser: 0.15 Sq in./ft. e.w. min.  
Base Floor: 0.25 Sq in./ft. e.w. min.

### PIPE PENETRATIONS:

Maximum Hole Size: 48"  
Minimum Distance Hole to Hole: 8"  
Holes Cored to Plan Specifications  
Kor-N-Seal Connections Available  
Standard Knockouts Available

### SITE PENETRATIONS:

Contractor to Establish Level Grade  
Prior to Setting Base Piece at a  
Tolerance of 1/4" to 3/8"

© 2013 Granite Precasting & Concrete, Inc.



# GRANITE<sup>TM</sup> PRECAST

4116 BAKERVIEW SPUR, BELLINGHAM, WA 98226 - (360) 671-2251 - 1-800-808-2251 - FAX: (360) 671-0780