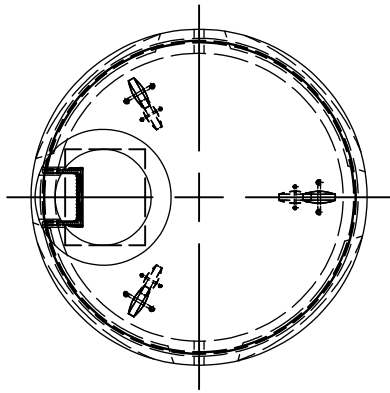


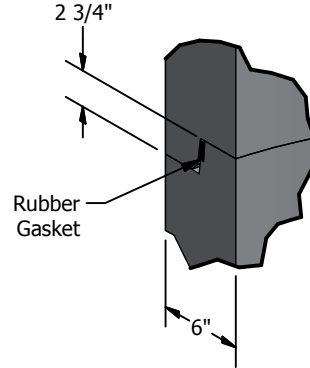
72" Type 2 Catch Basin w/ Knockouts

Meets or Exceeds WSDOT Std Plan B-10.20-01
Catch Basins Constructed in Accordance With ASTM C-478
Rubber Gasket Conforms to ASTM C-443
Polypropylene MH Steps Conform to ASTM C-478

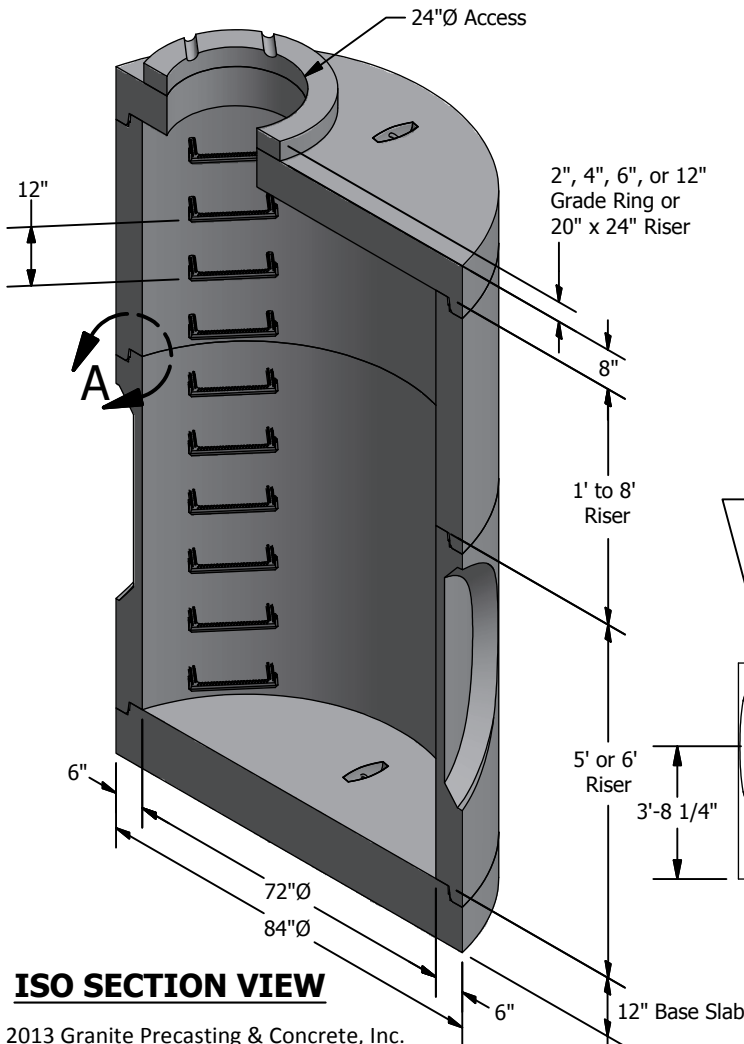


TOP SLAB

24" Diameter Round or 20" x 24" Rectangular Hole



JOINT DETAIL A
SCALE 1/12



ISO SECTION VIEW

© 2013 Granite Precasting & Concrete, Inc.

WEIGHTS:

TOP SLAB:	8" - 3,620 lbs
RISER:	1' - 1,500 lbs
	2' - 3,000 lbs
	3' - 4,500 lbs
	4' - 6,000 lbs
	5' - 7,500 lbs
	6' - 9,000 lbs
	7' - 10,500 lbs
	8' - 12,000 lbs
RISER with Knockout:	5' - 5,340 lbs
	6' - 6,840 lbs
BASE SLAB:	12" - 5,300 lbs

CONCRETE:

F_c = 4,000 psi @ 28 Days

REINFORCING STEEL:

Welded Wire Fabric: ASTM A497
Rebar: ASTM A615 Grade 60
Top Slab: 0.62 Sq in./ft. e.w. min.
Riser: 0.18 Sq in./ft. e.w. min.
Base Slab: 0.35 Sq in./ft. e.w. min.

PIPE PENETRATIONS:

Maximum Hole Size: 60"
Minimum Distance Hole to Hole: 12"
Holes Cored to Plan Specifications
Kor-N-Seal Connections Available
Standard Knockouts Available

SITE PENETRATIONS:

Contractor to Establish Level Grade
Prior to Setting Base Piece at a
Tolerance of 1/4" to 3/8"



4116 BAKERVIEW SPUR, BELLINGHAM, WA 98226 - (360) 671-2251 - 1-800-808-2251 - FAX: (360) 671-0780