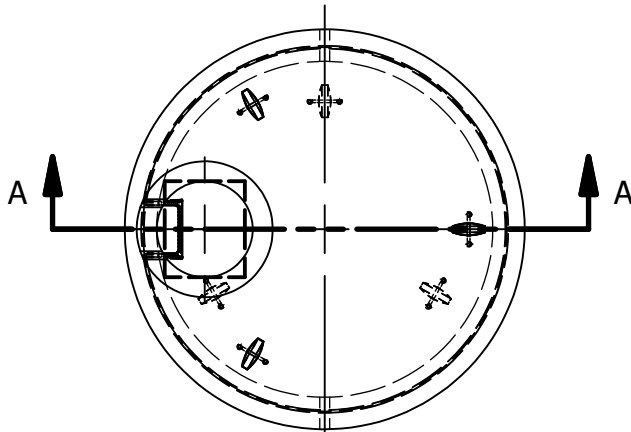


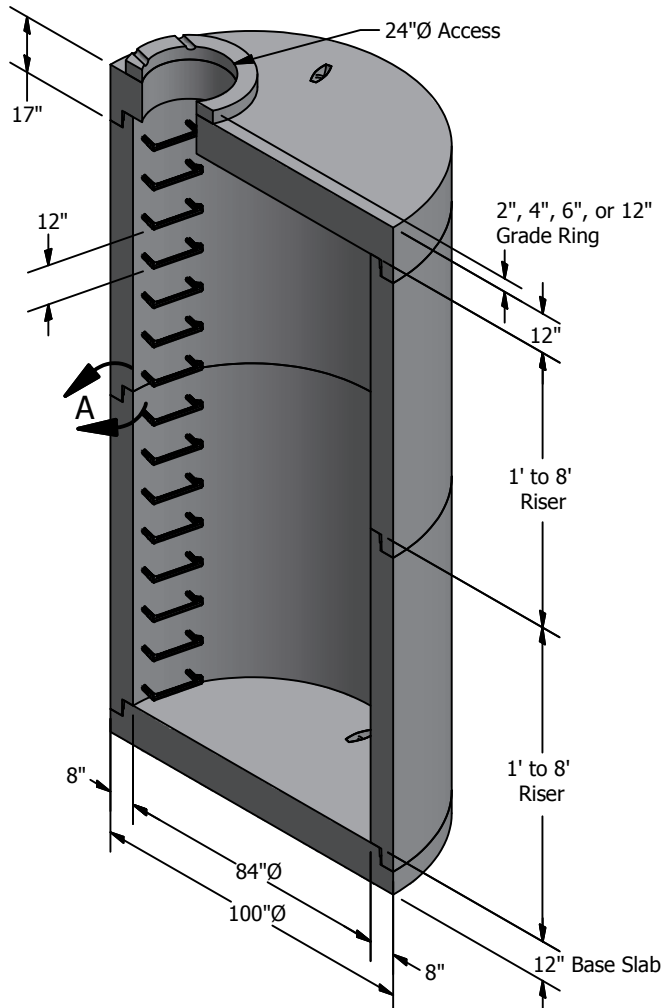
84" Type 2 Catch Basin

Meets or Exceeds WSDOT Standard Plan B-10.20-01
 Catch Basins Constructed in Accordance With ASTM C-478
 Rubber Gasket Conforms to ASTM C-443
 Polypropylene MH Steps Conform to ASTM C-478

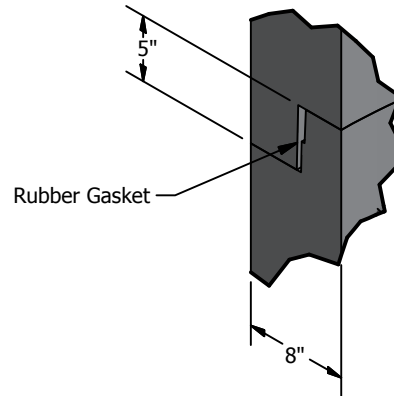


TOP SLAB

24" Diameter Round or 20" x 24" Rectangular Hole



ISO SECTION VIEW



JOINT DETAIL A
SCALE 1/12

WEIGHTS:

TOP SLAB:	12" - 8,700 lbs
RISER:	1' - 2,400 lbs
	2' - 4,800 lbs
	3' - 7,200 lbs
	4' - 9,600 lbs
	5' - 12,000 lbs
	6' - 14,400 lbs
	7' - 16,800 lbs
	8' - 19,200 lbs
BASE SLAB:	12" - 7,540 lbs

CONCRETE:

Fc= 4,000 psi @ 28 Days

REINFORCING STEEL:

Welded Wire Fabric: ASTM A497

Rebar: ASTM A615 Grade 60

Top Slab: 0.75 Sq in./ft. e.w. min.

Riser: 0.21 Sq in./ft. e.w. min.

Base Slab: 0.39 Sq in./ft. e.w. min.

PIPE PENETRATIONS:

Maximum Hole Size: 72"

Minimum Distance Hole to Hole: 12"

Holes Cored to Plan Specifications

Kor-N-Seal Connections Available

SITE PENETRATIONS:

Contractor to Establish Level Grade

Prior to Setting Base Piece at a

Tolerance of 1/4" to 3/8"

© 2013 Granite Precasting & Concrete, Inc.



4116 BAKERVIEW SPUR, BELLINGHAM, WA 98226 - (360) 671-2251 - 1-800-808-2251 - FAX: (360) 671-0780