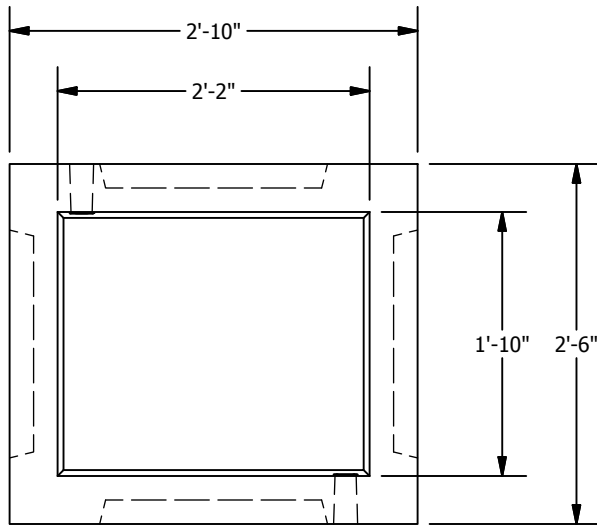


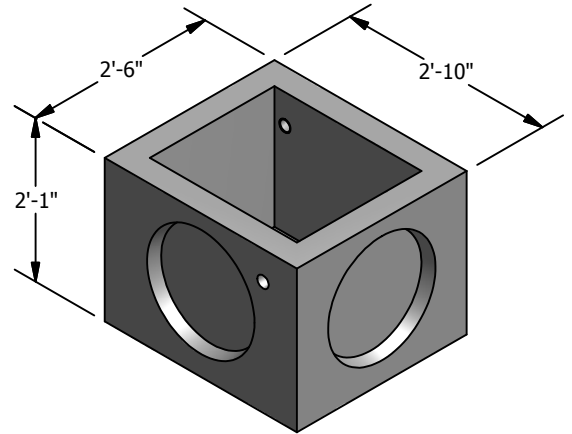
CB 21 (Type 4 Inlet)

Meets or Exceeds WSDOT Standard plan B-25.60-00
Constructed in Accordance With ASTM C-478

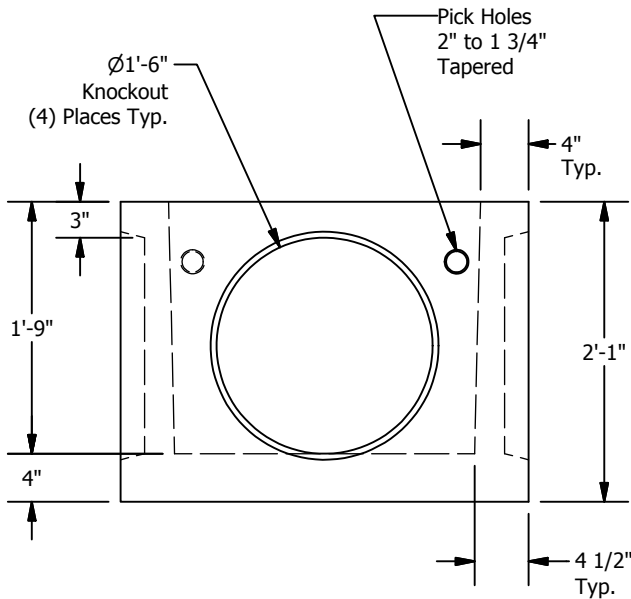
*This product may be supplied by a third party contractor,
subject to use of approved specifications and drawings.*



PLAN



ISO VIEW



SIDE

WEIGHTS:

BASE: 1,060 lbs

CONCRETE:

fc= 4,000 psi @ 28 Days

REINFORCING STEEL:

Welded Wire Fabric: ASTM A 497

0.12 Sq in./lin ft min.

No Wire Fabric in Knockout

PIPE PENETRATIONS:

Standard Knockouts (4)

© 2013 Granite Precasting & Concrete, Inc.



4116 BAKERVIEW SPUR, BELLINGHAM, WA 98226 - (360) 671-2251 - 1-800-808-2251 - FAX: (360) 671-0780