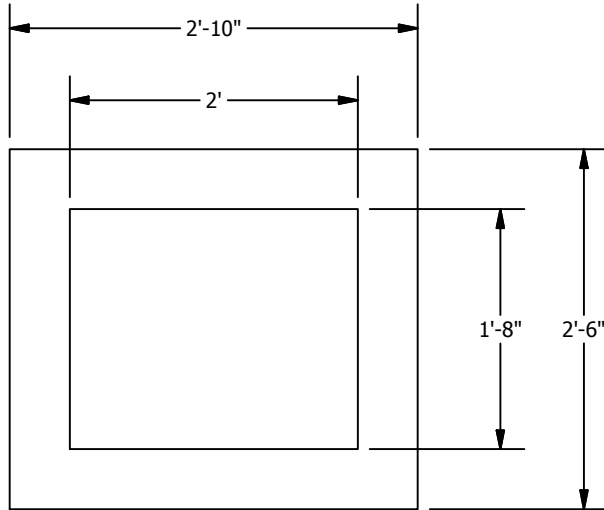
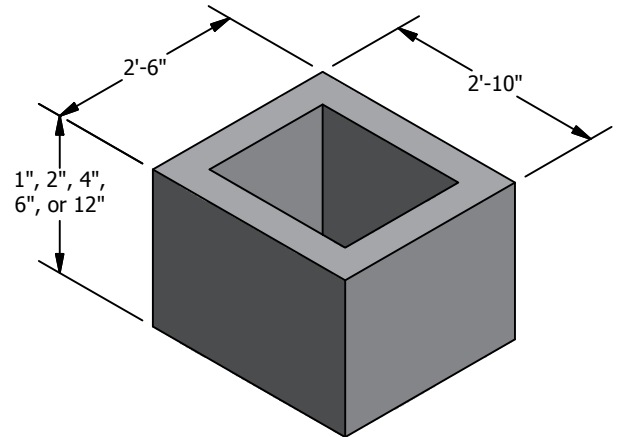


Catch Basin Riser

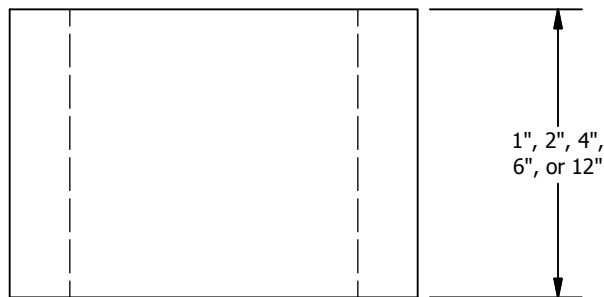
Meets or Exceeds WSDOT Standard plan B-5.20-01
Constructed in Accordance With ASTM C-478



PLAN



ISO VIEW



ELEVATION

WEIGHTS:

RISER: 1" -	50 lbs
2" -	100 lbs
4" -	180 lbs
6" -	260 lbs
12" -	560 lbs

CONCRETE:

$f_c = 4,000$ psi @ 28 Days

REINFORCING STEEL:

Welded Wire Fabric: ASTM A 497
0.12 Sq in./lin ft min.

© 2013 Granite Precasting & Concrete, Inc.



4116 BAKERVIEW SPUR, BELLINGHAM, WA 98226 - (360) 671-2251 - 1-800-808-2251 - FAX: (360) 671-0780