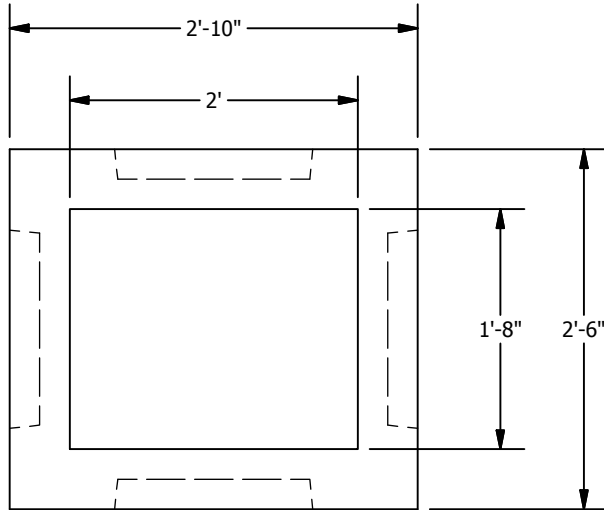


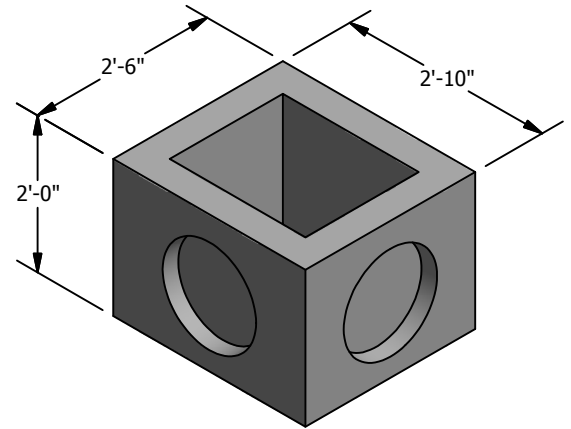
# Catch Basin Riser With Knockouts

Constructed in Accordance With ASTM C-478

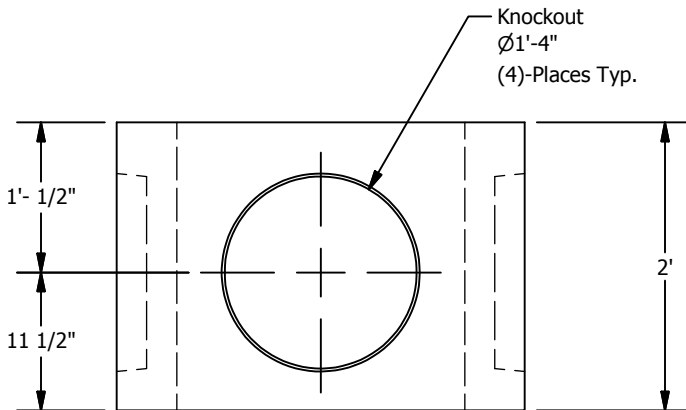
*This product may be supplied by a third party contractor, subject to use of approved specifications and drawings.*



**PLAN**



**ISO VIEW**



**ELEVATION**

**WEIGHTS:**

RISER: 800 lbs

**CONCRETE:**

fc = 4,000 psi @ 28 Days

**REINFORCING STEEL:**

Welded Wire Fabric: ASTM A 497

0.12 Sq in./lin ft min.

No Wire Fabric in Knockout

**PIPE PENETRATIONS:**

Standard Knockouts (4)

© 2013 Granite Precasting & Concrete, Inc.



4116 BAKERVIEW SPUR, BELLINGHAM, WA 98226 - (360) 671-2251 - 1-800-808-2251 - FAX: (360) 671-0780