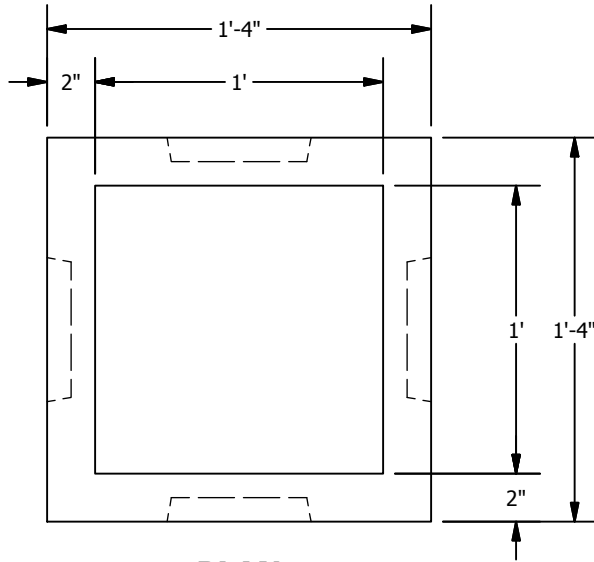
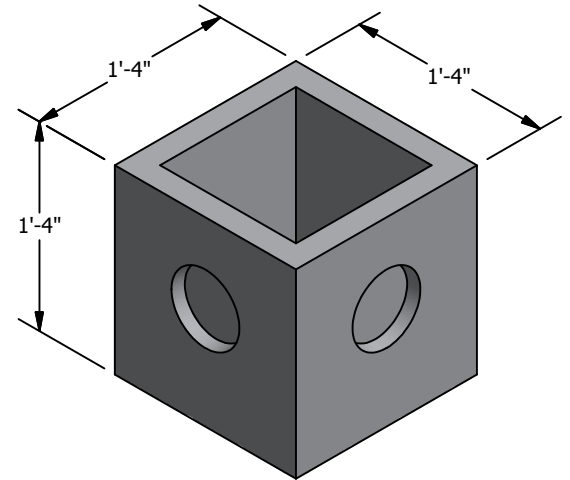


Driveway Catch Basin

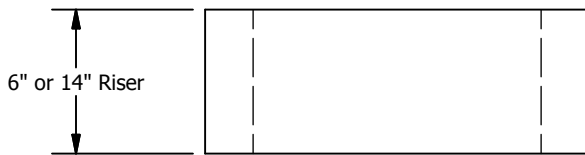
Constructed in Accordance With ASTM C-478



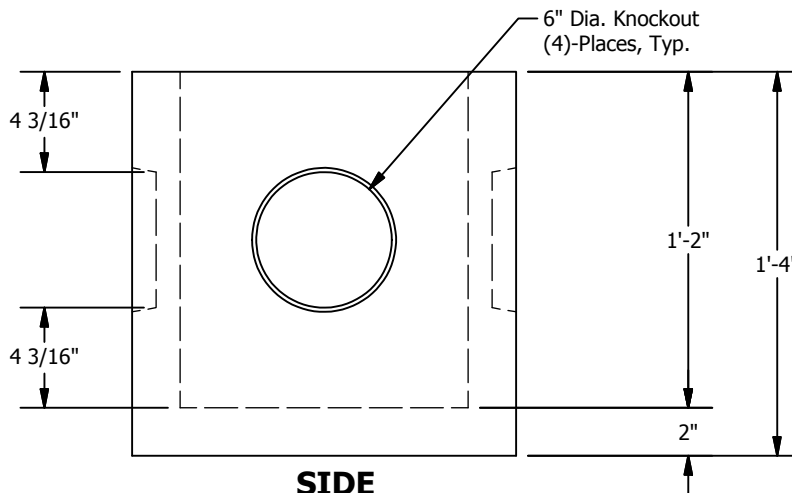
PLAN



ISO VIEW



DRIVEWAY CB RISER



SIDE

WEIGHTS:

RISER: 6" - 60 lbs
14" - 140 lbs
BASE: 200 lbs

CONCRETE:

fc= 4,000 psi @ 28 Days

PIPE PENETRATIONS:

Standard Knockouts (4)

© 2013 Granite Precasting & Concrete, Inc.



4116 BAKERVIEW SPUR, BELLINGHAM, WA 98226 - (360) 671-2251 - 1-800-808-2251 - FAX: (360) 671-0780