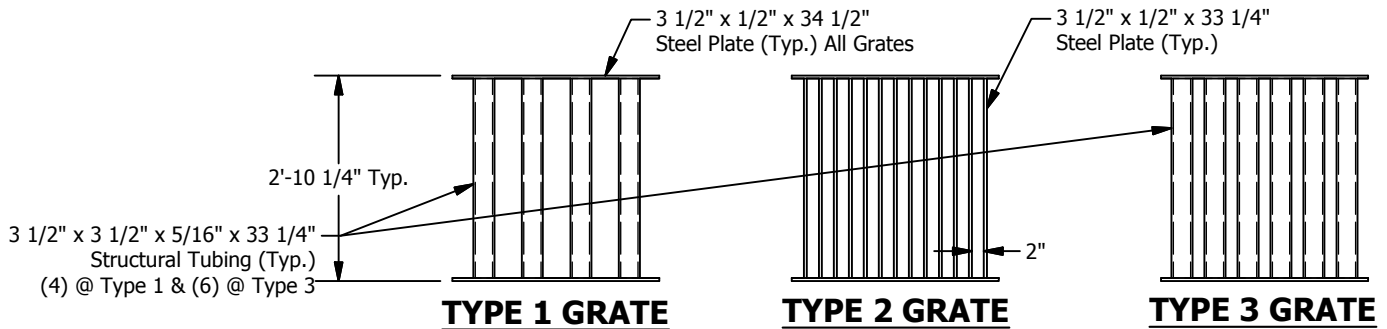
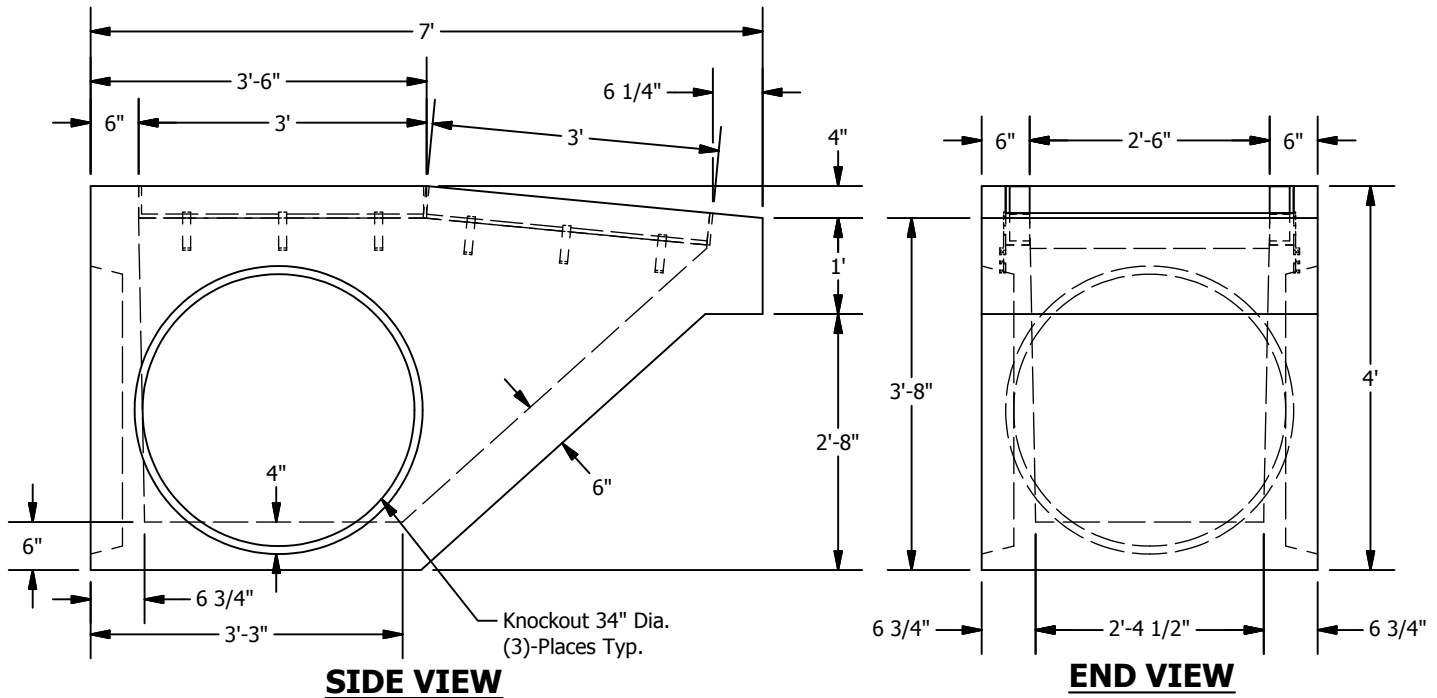
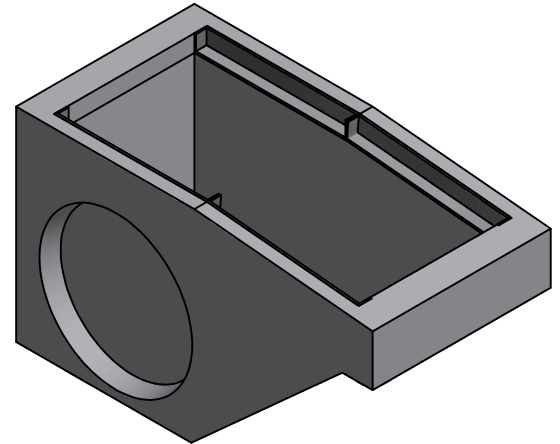
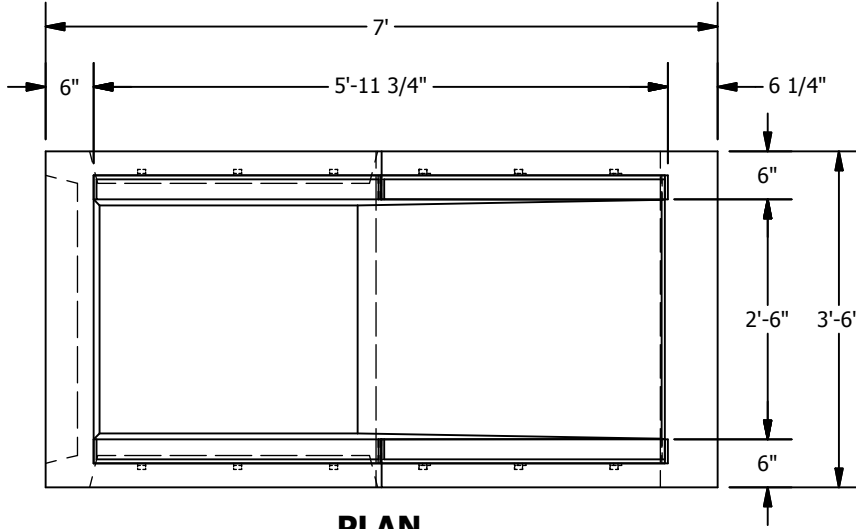


Drop Inlet Type 1 CB

Grates Conform to WSDOT Standard plan B-50.20-00
 Inlet Conforms to WSDOT Standard plan B-45.20-00
 Constructed in Accordance With ASTM C-478



© 2013 Granite Precasting & Concrete, Inc.



4116 BAKERVIEW SPUR, BELLINGHAM, WA 98226 - (360) 671-2251 - 1-800-808-2251 - FAX: (360) 671-0780