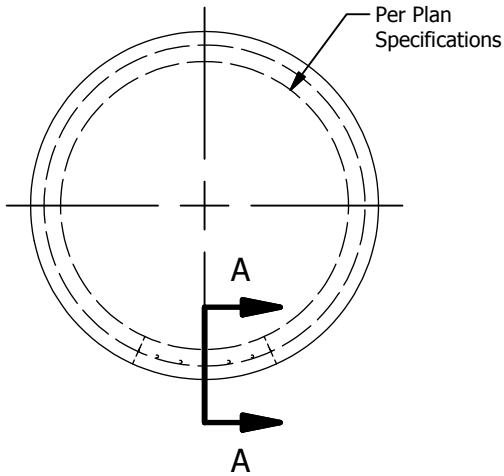
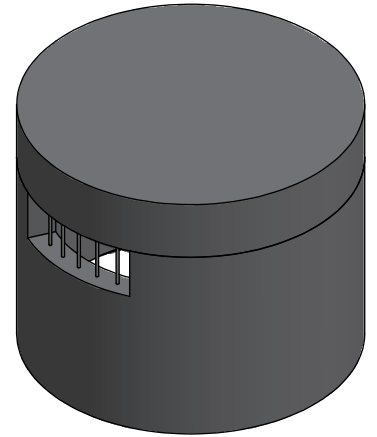


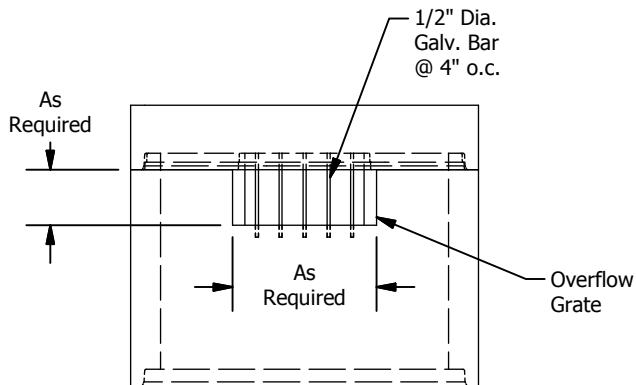
Overflow Grate



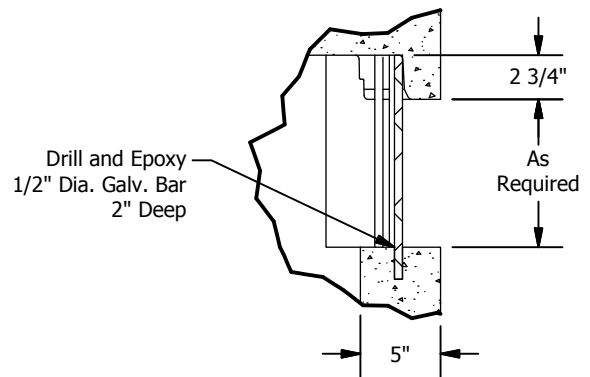
PLAN VIEW



ISO VIEW



ELEVATION



SECTION A-A

CONCRETE:

Fc= 4,000 psi @ 28 Days

REINFORCING:

Welded Wire Fabric: ASTM A497

Rebar: ASTM A615 Grade 60

© 2013 Granite Precasting & Concrete, Inc.



4116 BAKERVIEW SPUR, BELLINGHAM, WA 98226 - (360) 671-2251 - 1-800-808-2251 - FAX: (360) 671-0780