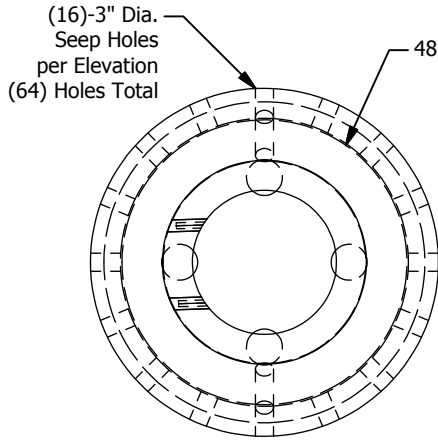
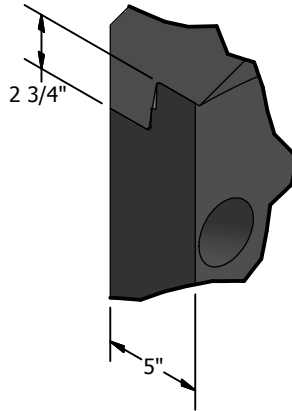


Precast Drywell

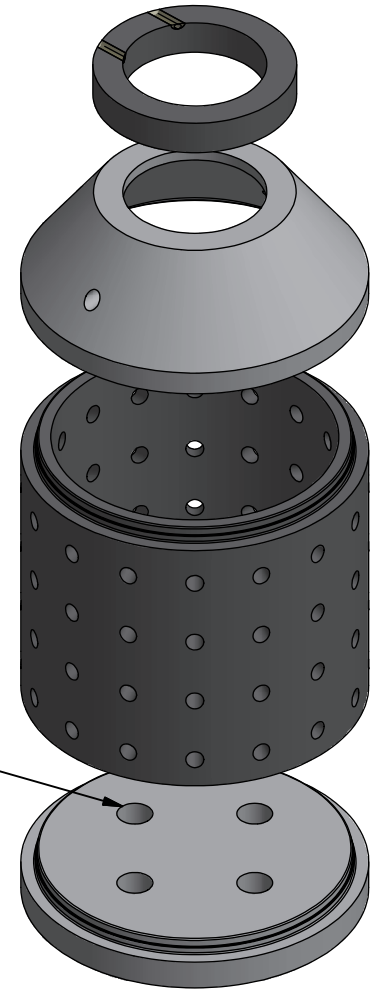
Meets or Exceeds WSDOT Std Plan B-20.20-02
 Meets or Exceeds WSDOT Std Plan B-20.40-03
 Manholes Constructed in Accordance With ASTM C-478
 Rubber Gasket Conforms to ASTM C-443



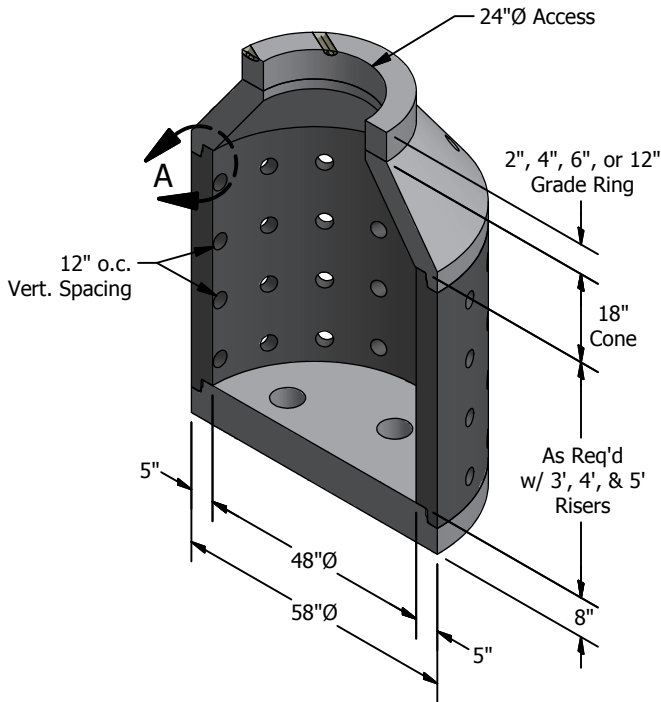
PLAN



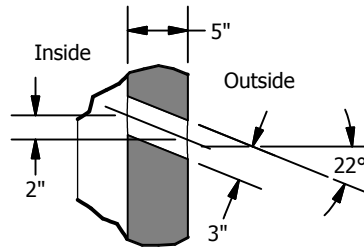
JOINT DETAIL A
SCALE 1/8



3D VIEW



ISO SECTION VIEW



SEEP HOLE DETAIL

WEIGHTS:

CONE:	1.5' -	1,380 lbs
RISER:	3' -	2,700 lbs
	4' -	3,540 lbs
	5' -	4,500 lbs
BASE SLAB:	8" -	2,560 lbs

CONCRETE:

F_c = 4,000 psi @ 28 Days

REINFORCING:

Welded Wire Fabric: ASTM A497
 Rebar: ASTM A615 Grade 60
 Holes Cored as Required

© 2013 Granite Precasting & Concrete, Inc.



4116 BAKERVIEW SPUR, BELLINGHAM, WA 98226 - (360) 671-2251 - 1-800-808-2251 - FAX: (360) 671-0780