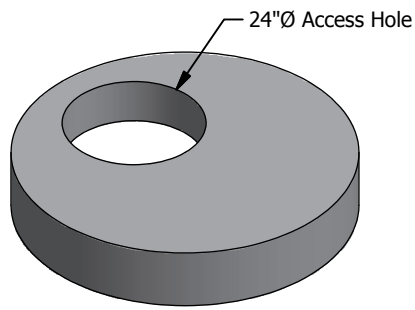
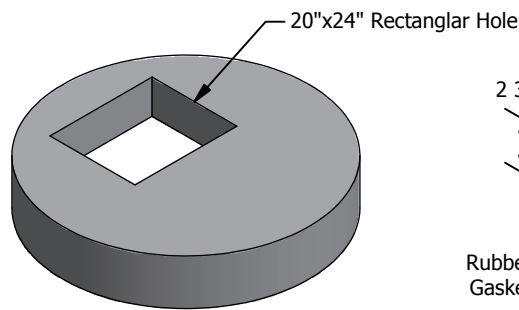


Seattle Type 240 A & B Catch Basin

Meets or Exceeds SEATTLE Std Plan 240
 Manholes Constructed in accordance With ASTM C-478
 Rubber Gasket Conforms to ASTM C-443
 & Seattle Std. Specifications SECT. 7-05 & 9-12



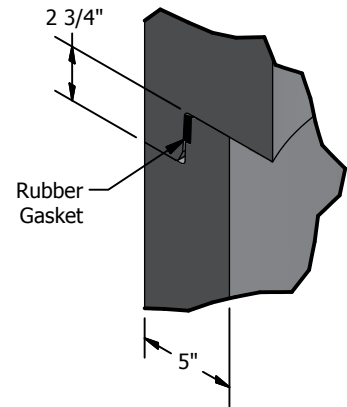
TYPE A



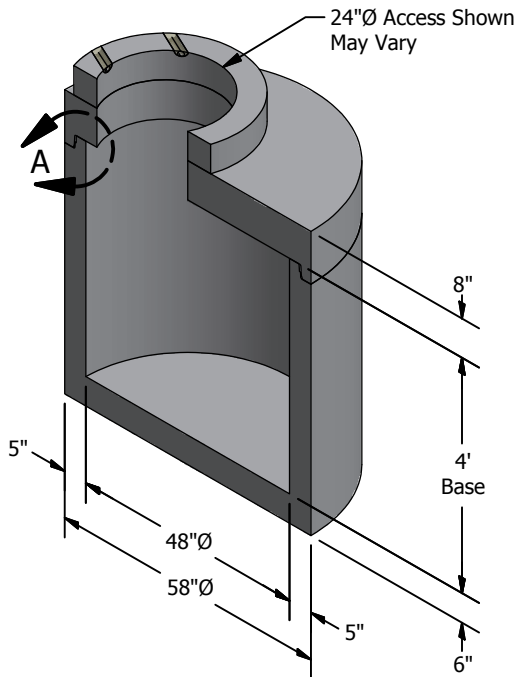
TYPE B

**PLAN
TOP SLAB**

24" Diameter Round or 20" x 24" Rectangular Hole



JOINT DETAIL A
SCALE 1/8



ISO SECTION VIEW

WEIGHTS:

TOP SLAB: 8" - 1,580 lbs
 BASE: 4' - 4,800 lbs

CONCRETE:

Fc= 4,000 psi @ 28 Days

REINFORCING:

Welded Wire Fabric: ASTM A 497
 Rebar: ASTM A615 Grade 60
 Top Slab: Per STD. Plan 243A
 Base Walls = 0.12 Sq. in./ Lin. Ft. Min.
 Base Bottom Slab = 0.15 Sq. in./ Lin. Ft. Min.

PIPE PENETRATIONS:

Maximum Hole Size: 16"
 Minimum Distance Hole to Hole: 8"
 Holes Cored to Plan Specifications
 Standard Knockouts Available

© 2013 Granite Precasting & Concrete, Inc.



4116 BAKERVIEW SPUR, BELLINGHAM, WA 98226 - (360) 671-2251 - 1-800-808-2251 - FAX: (360) 671-0780