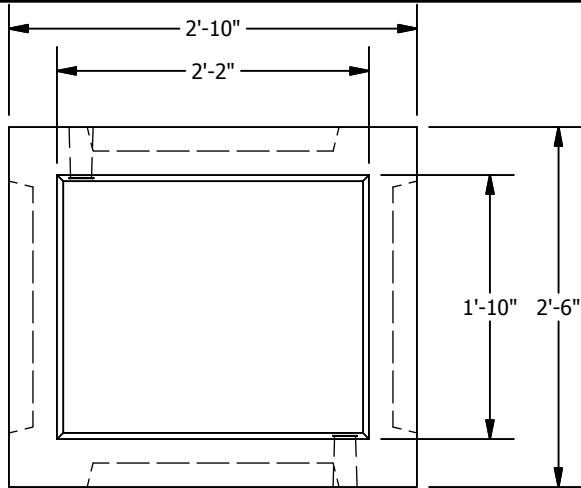


# Seattle Type 241 Catch Basin

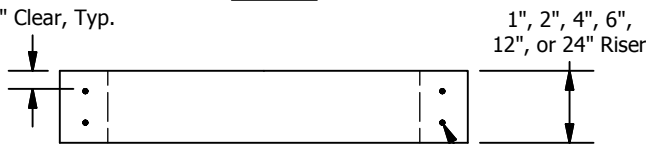
**Meets or Exceeds SEATTLE Std. Plan 241a**  
 Constructed in Accordance With ASTM C-478  
 & Seattle Std. Specifications SECT. 7-05 & 9-12

*This product may be supplied by a third party contractor, subject to use of approved specifications and drawings.*



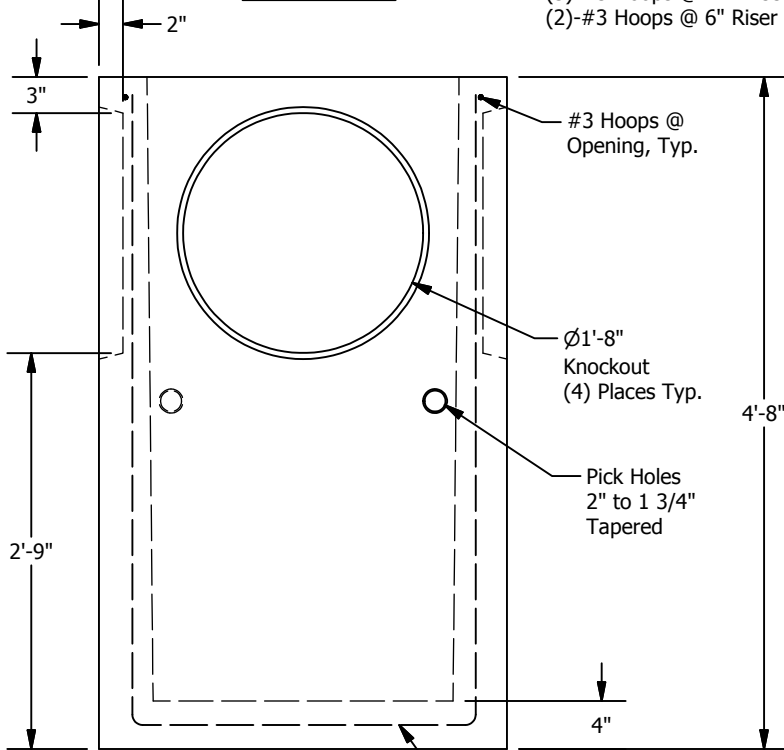
**PLAN**

1 1/2" Clear, Typ.



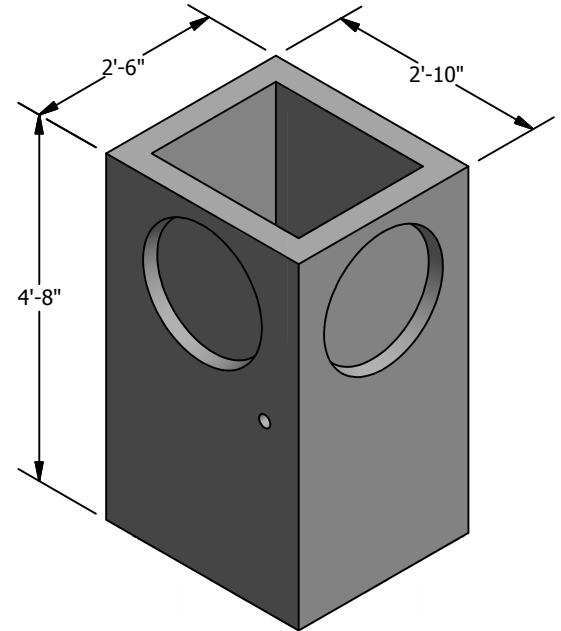
**CB RISER**

(3)-#3 Hoops @ 12" Riser  
 (2)-#3 Hoops @ 6" Riser



**SIDE**

Welded Wire Fabric



**ISO VIEW**

**WEIGHTS:**

- RISER: 1" - 50 lbs
- 2" - 100 lbs
- 4" - 180 lbs
- 6" - 260 lbs
- 12" - 560 lbs
- 24" - 1,120 lbs
- BASE: 2,440 lbs

**CONCRETE:**

fc = 4,000 psi @ 28 Days

**REINFORCING STEEL:**

Welded Wire Fabric: ASTM A497  
 0.12 sq. in. / lin. ft. Minimum  
 No Wire Fabric in Knockout

**PIPE PENETRATIONS:**

Standard Knockouts (4)

© 2013 Granite Precasting & Concrete, Inc.



4116 BAKERVIEW SPUR, BELLINGHAM, WA 98226 - (360) 671-2251 - 1-800-808-2251 - FAX: (360) 671-0780