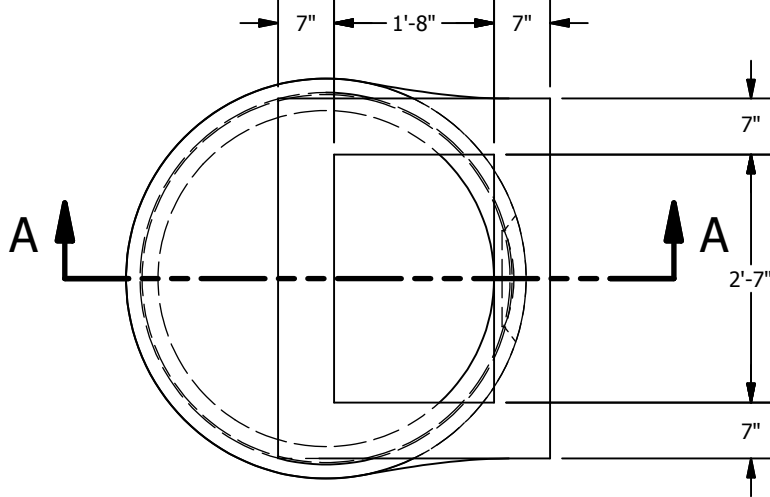


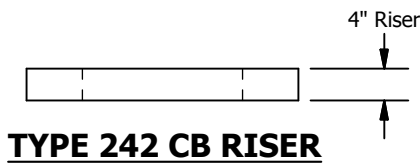
# Seattle Type 242 Catch Basin

**Meets or Exceeds SEATTLE Std. Plan 242**  
 Constructed in Accordance With ASTM C-478  
 & Seattle Std. Specifications SECT. 7-05 & 9-12

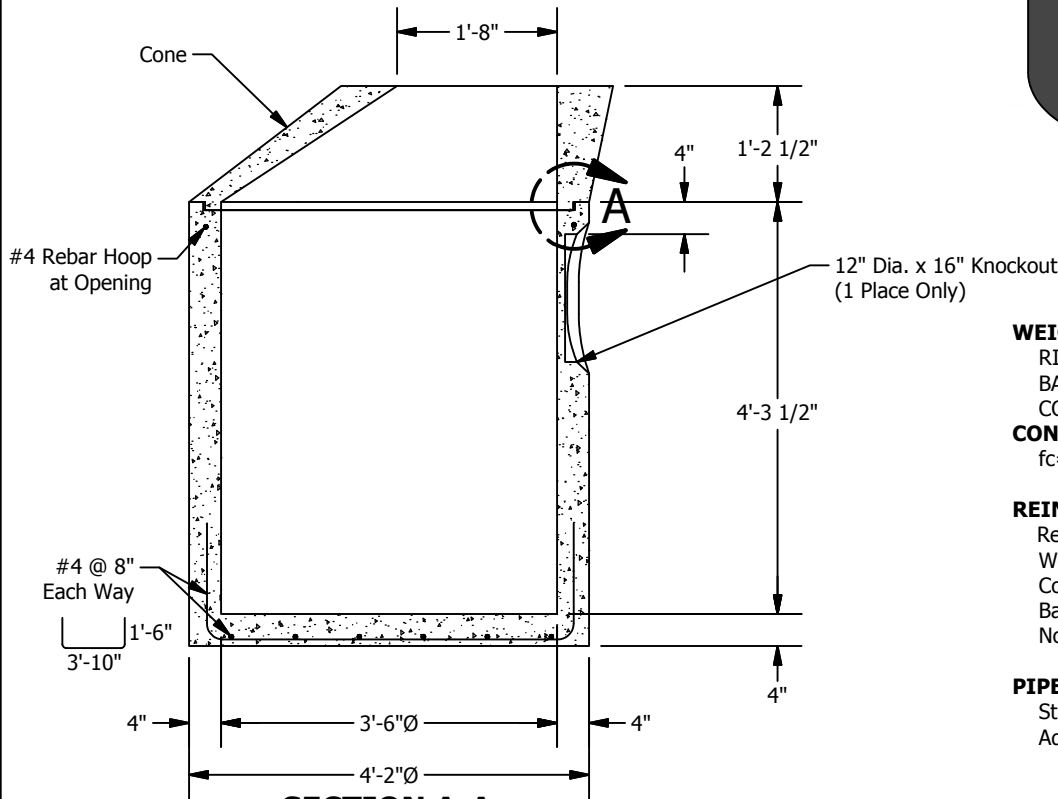
*This product may be supplied by a third party contractor, subject to use of approved specifications and drawings.*



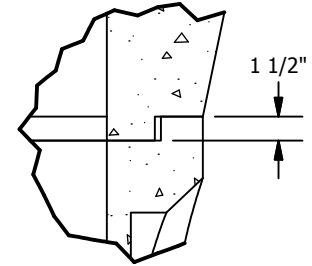
**PLAN**



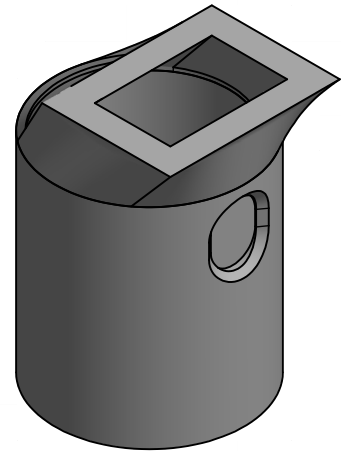
**TYPE 242 CB RISER**



**SECTION A-A**



**JOINT DETAIL A**  
**SCALE 1/8**



**ISO VIEW**

**WEIGHTS:**

- RISER: 315 lbs
- BASE: 3,300 lbs
- CONE: 1,025 lbs

**CONCRETE:**

fc= 4,000 psi @ 28 Days

**REINFORCING STEEL:**

- Rebar: ASTM A615, Grade 60
- Welded Wire Fabric: ASTM A497
- Cone & Base Wall: 0.12 Sq. in./lin ft. min.
- Base Floor: 0.29 Sq. in./lin ft. min.
- No Wire Fabric in Knockout

**PIPE PENETRATIONS:**

- Standard Knockouts (1)
- Add'l Holes Cored to Plan Specifications

© 2013 Granite Precasting & Concrete, Inc.



4116 BAKERVIEW SPUR, BELLINGHAM, WA 98226 - (360) 671-2251 - 1-800-808-2251 - FAX: (360) 671-0780