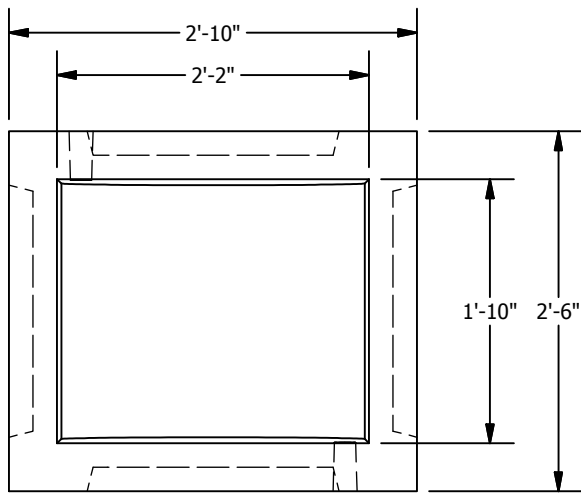
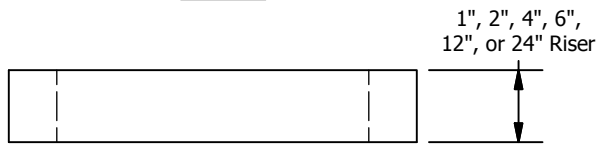


Seattle Type 277 Catch Basin

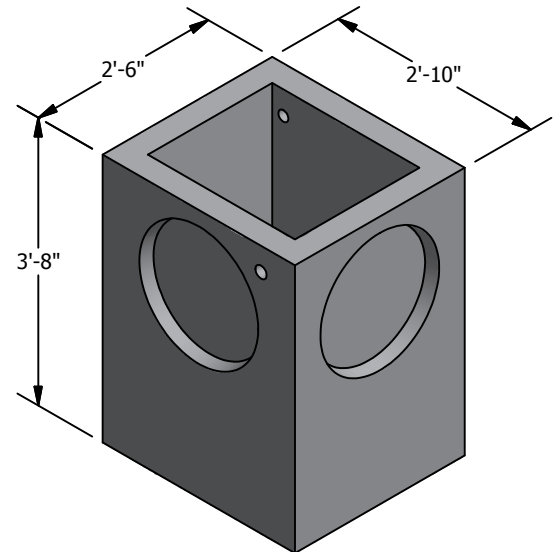
Meets or Exceeds SEATTLE Std. Plan 277
 Constructed in Accordance With ASTM C-478
 & Seattle Std. Specifications SECT. 7-05 & 9-12



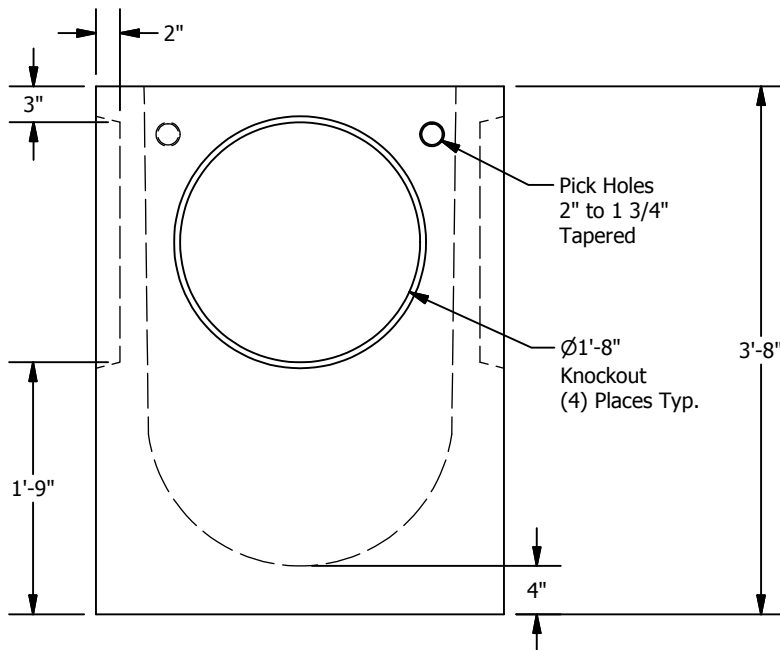
PLAN



CB RISER



ISO VIEW



SIDE

WEIGHTS:

- RISER: 1" - 50 lbs
- 2" - 100 lbs
- 4" - 180 lbs
- 6" - 260 lbs
- 12" - 560 lbs
- 24" - 1,120 lbs
- BASE: 1,800 lbs

CONCRETE:

fc = 4,000 psi @ 28 Days

REINFORCING STEEL:

Welded Wire Fabric: ASTM A497
 0.12 Sq. In./Lin. Ft. Minimum
 No Wire Fabric in Knockout

PIPE PENETRATIONS:

Standard Knockouts (4)

© 2013 Granite Precasting & Concrete, Inc.



4116 BAKERVIEW SPUR, BELLINGHAM, WA 98226 - (360) 671-2251 - 1-800-808-2251 - FAX: (360) 671-0780