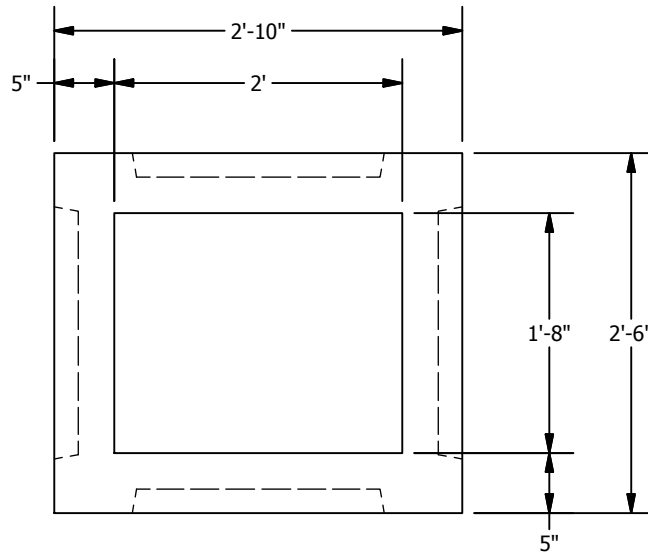
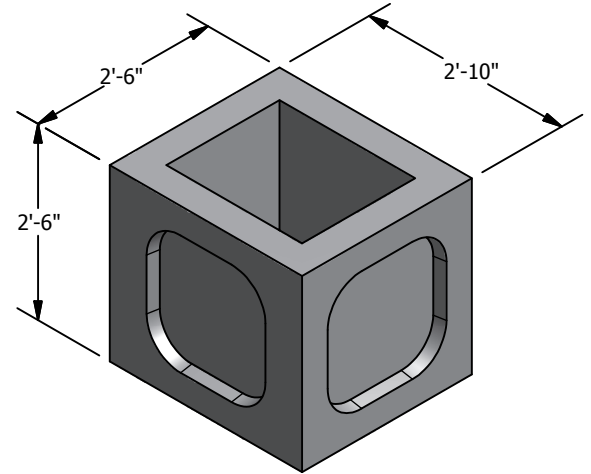


Thomas Special (CB 22)

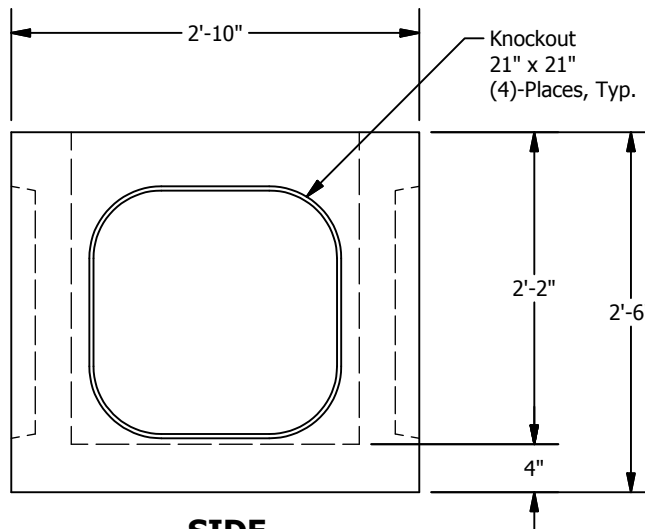
Constructed in Accordance With ASTM C-478



PLAN



ISO VIEW



SIDE

WEIGHTS:

BASE: 1,120 lbs

CONCRETE:

$f_c = 4,000$ psi @ 28 Days

REINFORCING STEEL:

Welded Wire Fabric: ASTM A 497

0.12 Sq in./lin ft min.

No Wire Fabric in Knockout

PIPE PENETRATIONS:

Standard Knockouts (4)

© 2013 Granite Precasting & Concrete, Inc.



GRANITETM
PRECAST

4116 BAKERVIEW SPUR, BELLINGHAM, WA 98226 - (360) 671-2251 - 1-800-808-2251 - FAX: (360) 671-0780