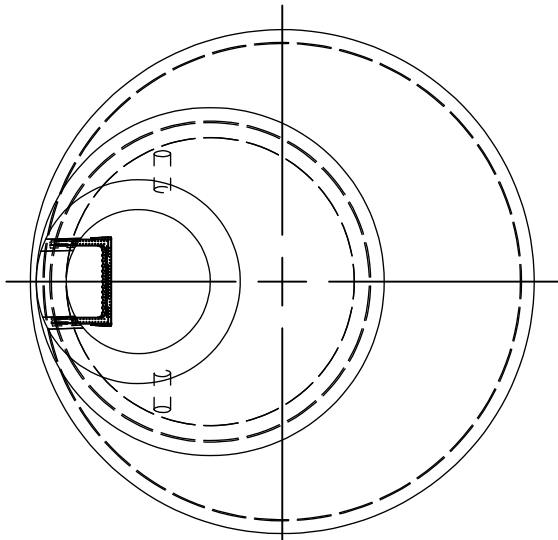
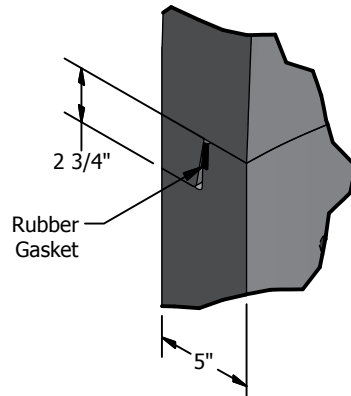


Top Slab Reducer

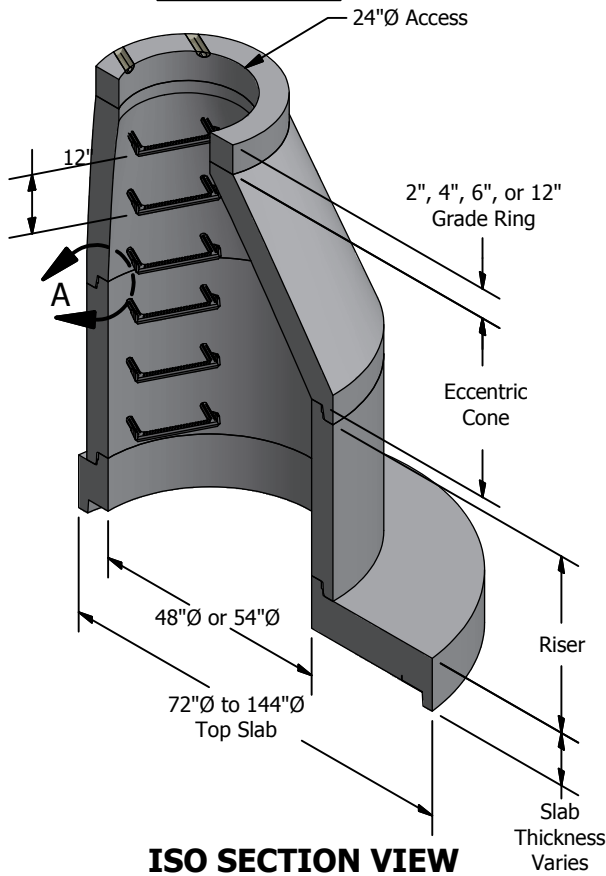
Meets or Exceeds WSDOT Std Plan B-15.40-00
 Manholes Constructed in Accordance With ASTM C-478
 Rubber Gasket Conforms to ASTM C-443
 Polypropylene MH Steps Conform to ASTM C-478



PLAN VIEW



JOINT DETAIL A
SCALE 1/8



ISO SECTION VIEW

WEIGHTS:

TOP SLAB REDUCER:	72" -	2,677 lbs
	84" -	7,286 lbs
	96" -	8,646 lbs
	120" -	16,186 lbs
	144" -	28,116 lbs

CONCRETE:

Fc= 4,000 psi @ 28 Days

REINFORCING STEEL:

Welded Wire Fabric: ASTM A497
 Rebar: ASTM A615 Grade 60

© 2013 Granite Precasting & Concrete, Inc.



4116 BAKERVIEW SPUR, BELLINGHAM, WA 98226 - (360) 671-2251 - 1-800-808-2251 - FAX: (360) 671-0780