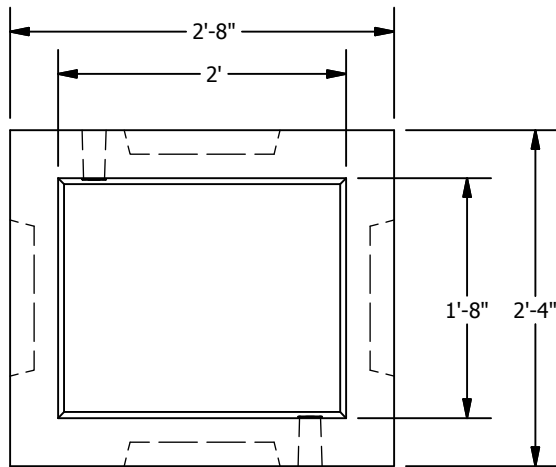
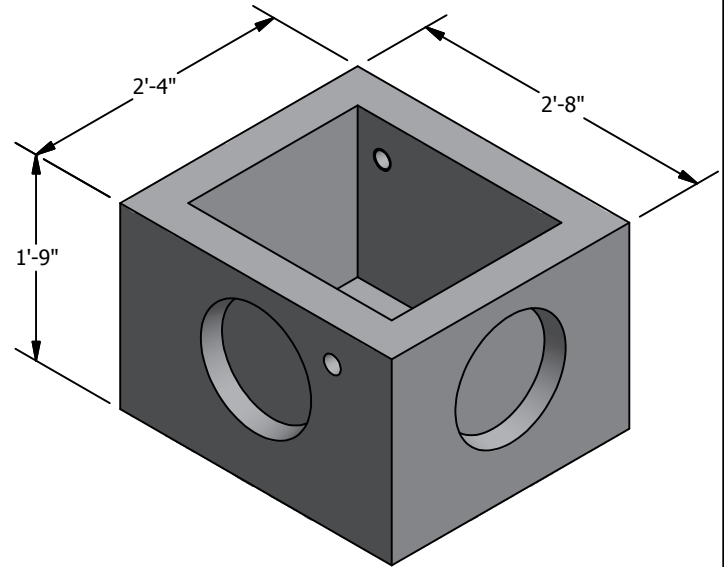


# Type 17 Catch Basin

Constructed in Accordance With ASTM C-478



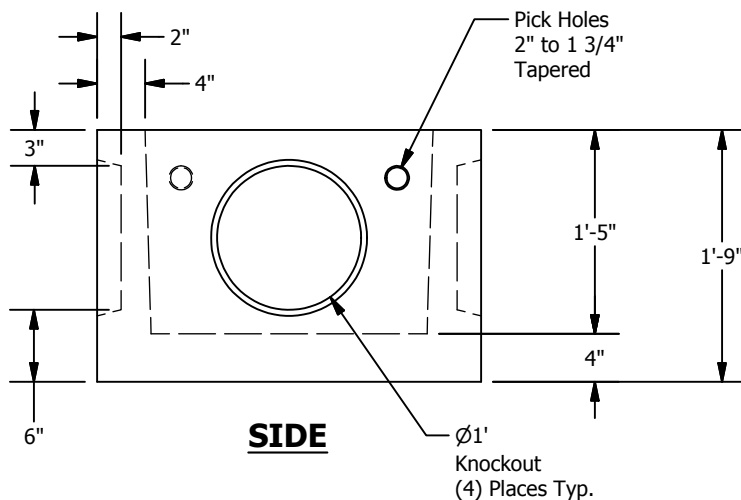
**PLAN**



**ISO VIEW**



**STANDARD CB RISER  
SIDE VIEW**



**SIDE**

**WEIGHTS:**

RISER: 1" -	50 lbs
2" -	100 lbs
4" -	180 lbs
6" -	260 lbs
12" -	560 lbs
BASE:	860 lbs

**CONCRETE:**

fc= 4,000 psi @ 28 Days

**REINFORCING STEEL:**

Welded Wire Fabric: ASTM A 497  
0.12 Sq in./lin ft min.  
No Wire Fabric in Knockout

**PIPE PENETRATIONS:**

Standard Knockouts (4)

© 2013 Granite Precasting & Concrete, Inc.



4116 BAKERVIEW SPUR, BELLINGHAM, WA 98226 - (360) 671-2251 - 1-800-808-2251 - FAX: (360) 671-0780