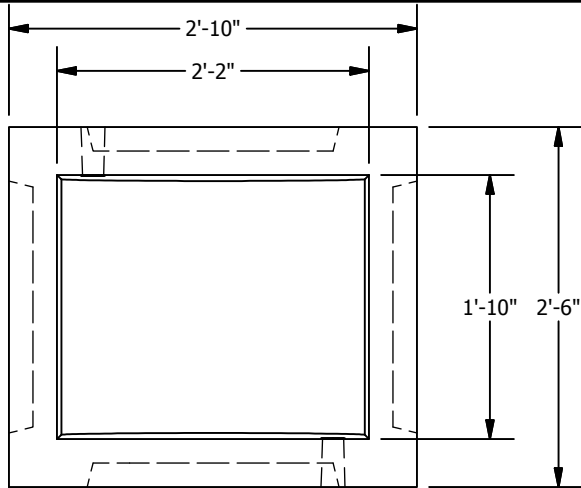


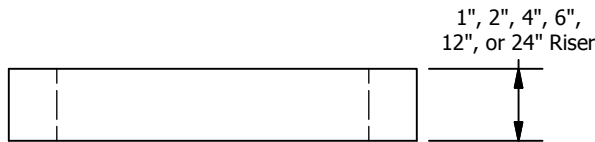
Type 1 Catch Basin

Meets or Exceeds WSDOT Standard plan B-5.20-01
Constructed in Accordance With ASTM C-478

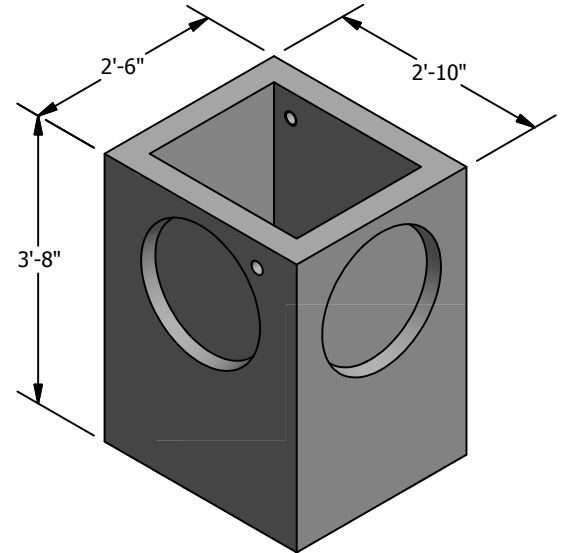
This product may be supplied by a third party contractor, subject to use of approved specifications and drawings.



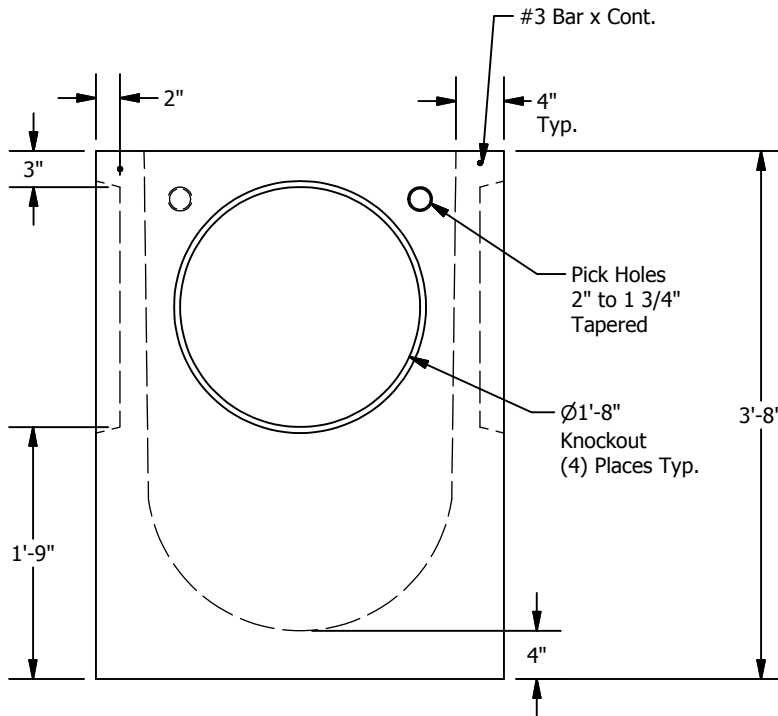
PLAN



TYPE 1 CB RISER



ISO VIEW



SIDE

WEIGHTS:

RISER:	1" -	50 lbs
	2" -	100 lbs
	4" -	180 lbs
	6" -	260 lbs
	12" -	560 lbs
BASE:		1,800 lbs

CONCRETE:

fc = 4,000 psi @ 28 Days

REINFORCING STEEL:

ASTM 615, Grade 60
Welded Wire Fabric ASTM A185
0.12 Sq. In. / LF Min.
No Wire Fabric In Knockouts

PIPE PENETRATIONS:

Standard Knockouts (4)

© 2014 Granite Precasting & Concrete, Inc.



4116 BAKERVIEW SPUR, BELLINGHAM, WA 98226 - (360) 671-2251 - 1-800-808-2251 - FAX: (360) 671-0780