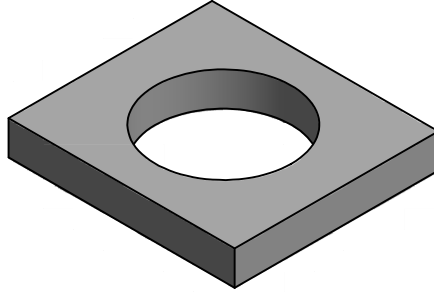


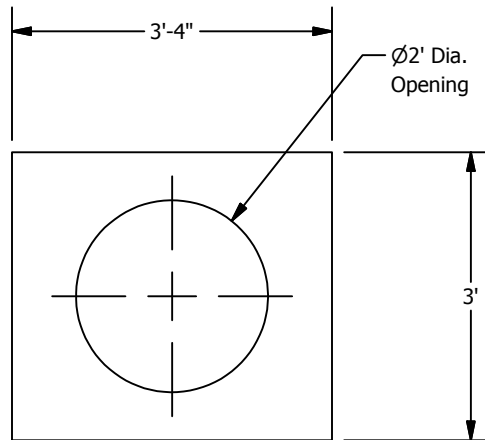
# Type 1L Round Hole Reducing Slabs

Constructed in Accordance With ASTM C-478

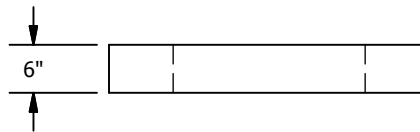
*This product may be supplied by a third party contractor, subject to use of approved specifications and drawings.*



**ISO VIEW**



**PLAN**



**SIDE VIEW**

## **OPTIONAL REDUCING SLAB TYPE 1L / TYPE 1 CATCH BASIN**

**WEIGHTS:**  
REDUCING SLAB: 515 lbs

**CONCRETE:**  
fc= 4,000 psi @ 28 Days

© 2013 Granite Precasting & Concrete, Inc.



4116 BAKERVIEW SPUR, BELLINGHAM, WA 98226 - (360) 671-2251 - 1-800-808-2251 - FAX: (360) 671-0780